

Features

- Bath-mount or deck-mount installation options.
- Integral dual check valves for backflow prevention.
- Two-or three-way configuration options.
- For use with KOHLER® non-diverter bath spouts.

Material

- Brass construction.

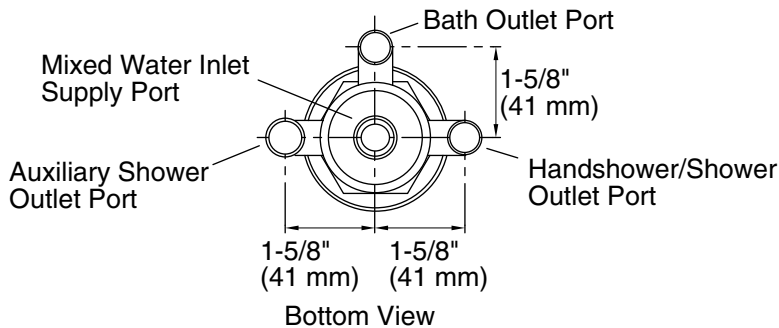
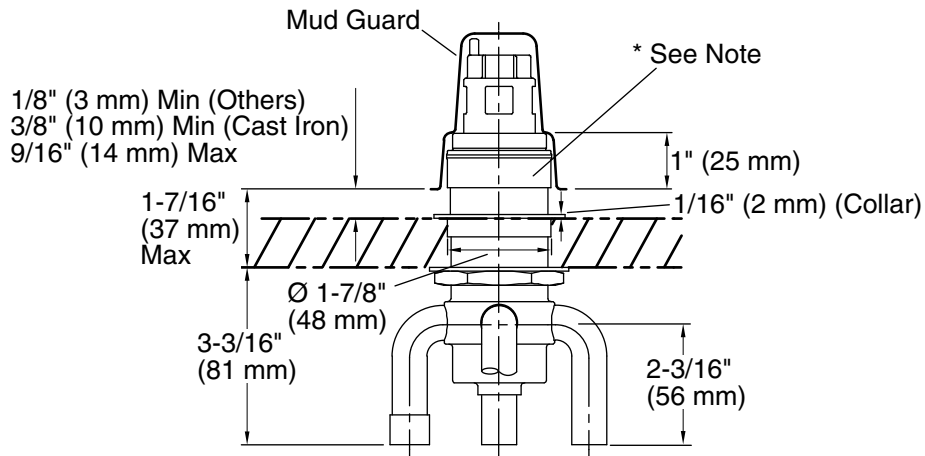


Codes/Standards

ASME A112.18.1/CSA B125.1

KOHLER® Faucet Lifetime Limited Warranty

See website for detailed warranty information.



Note: All ports are 1/2" nominal copper tubing. (5/8" actual OD)

Technical Information

All product dimensions are nominal.

Notes

Bath and handshower outlets required for two-way transfer valve.

Bath, handshower, and auxiliary outlets required for three-way transfer valve.

When used as a two-way transfer valve (bath and handshower), the installer must cap the auxiliary outlet. Do not install spouts with flow restrictors or shower units on the bath outlet.

* For installation on cast iron baths, collar should be installed with flange facing downward. Opening in cast iron must be Ø 1-7/8" (48 mm) minimum.