

## Features

- 36-inch minimum base cabinet width.
- Double-equal bowls.
- 9" (229 mm) depth provides generous workspace.
- Self-Trimming apron overlaps the cabinet face for easy installation.
- Apron height allows sink to be used in most standard cabinetry or retrofitted to existing standard cabinetry.
- Three faucet holes.
- Rear drain increases workspace in the sink and storage space underneath.
- SilentShield® sound-absorption technology offers quieter performance.
- Includes installation hardware and compatibility template.

## Material

- Handcrafted from 18-gauge stainless steel.
- Premium 18-gauge stainless steel.

## Installation

- Top-mount.

## Recommended Products/Accessories

- K-6475 Sink Rack
- K-8801 Sink Strainer
- K-8799 Sink Strainer
- K-23726 Drain treatment
- K-23729 Stainless steel cleaner

## Optional Products/Accessories

- K-6429 Utility Rack
- K-6432 Saddle Towel Bar
- K-6434 Saddle Utility Rack
- K-11352 Disposal Flange with Stopper

## Included Components

Product consists of:

- 1130570 Hardware Kit, Self-Rimming
- 1173293 Hardware Kit, Side Clip

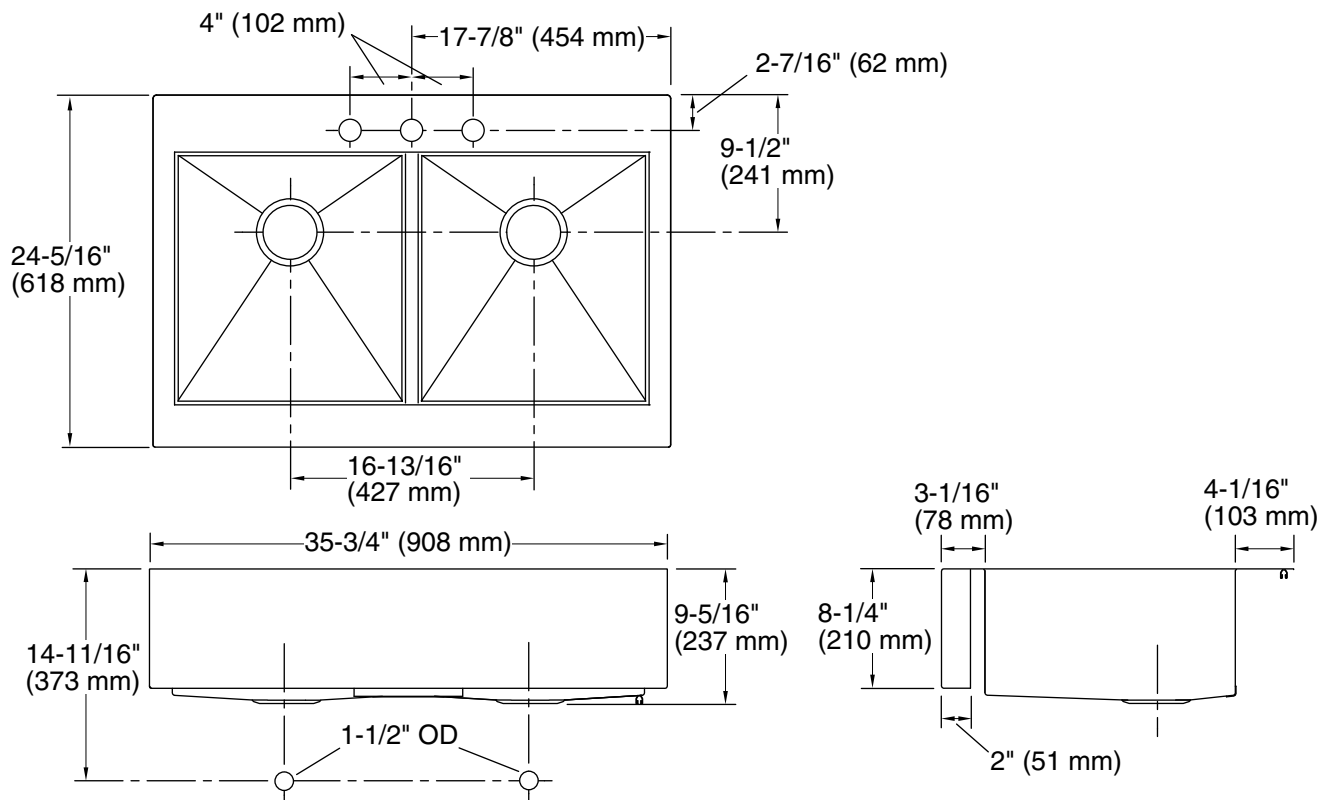


## Codes/Standards

ASME A112.19.3/CSA B45.4

## Lifetime Limited Warranty for KOHLER® Stainless Steel Sinks

See website for detailed warranty information.



### Technical Information

All product dimensions are nominal.

Bowl configuration: Double equal

Installation: Top-mount

Min. base cabinet width: 36" (914 mm)

Bowl area (Left): Length: 17-3/16" (437 mm)  
 Width: 15-11/16" (398 mm)  
 Water depth: 9" (229 mm)

Bowl area (Right): Length: 17-3/16" (437 mm)  
 Width: 15-11/16" (398 mm)  
 Water depth: 9" (229 mm)

Number of deck holes: 3

Faucet hole(s): 1-7/16" (37 mm)

Drain hole: 3-5/8" (92 mm)

Template: 1166717-7, required, included  
 1178341, required, included

### Notes

Install this product according to the installation instructions.