

Features

- 36-inch minimum base cabinet width.
- Large/medium bowls.
- 9" (229 mm) depth provides generous workspace.
- Single faucet hole.
- Smart Divide® feature offers a lower bowl divider that increases workspace versatility.
- SilentShield® sound-absorption technology offers quieter performance.
- Includes installation hardware and bottom sink rack.

Material

- Handcrafted from 18-gauge stainless steel.
- Premium 18-gauge stainless steel.

Installation

- Top-mount or undermount.

Recommended Products/Accessories

- K-6646 Left-Bowl Sink Rack
- K-6647 Right-Bowl Sink Rack
- K-8801 Sink Strainer
- K-8799 Sink Strainer
- K-23726 Drain treatment
- K-23729 Stainless steel cleaner

Optional Products/Accessories

- K-6429 Utility Rack
- K-6432 Saddle Towel Bar
- K-6434 Saddle Utility Rack
- K-6667 Wood Cutting Board
- K-11352 Disposal Flange with Stopper

Included Components

Product consists of:

- 1177160 Hardware Kit, Self-Rimming

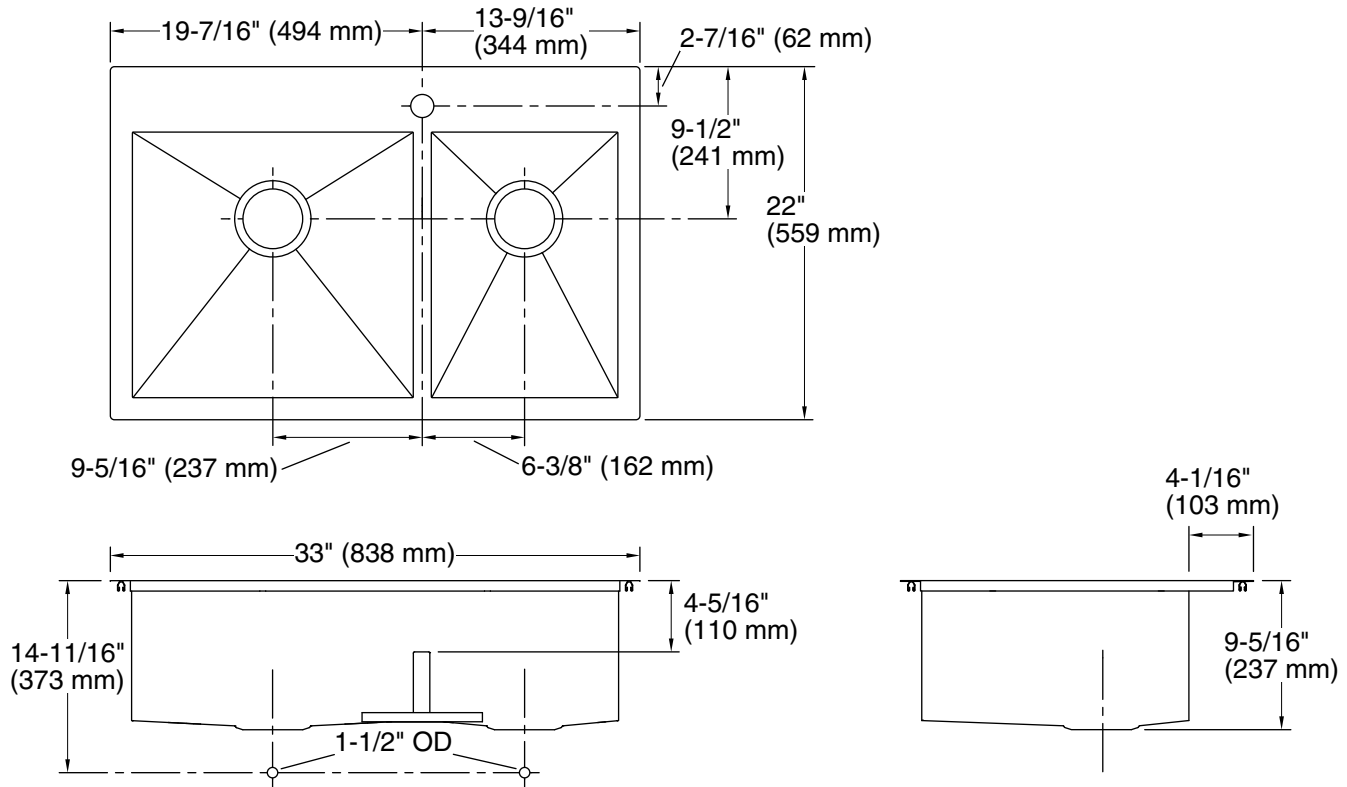


Codes/Standards

ASME A112.19.3/CSA B45.4

Lifetime Limited Warranty for KOHLER® Stainless Steel Sinks

See website for detailed warranty information.



Technical Information

All product dimensions are nominal.

| | |
|--------------------------|---|
| Bowl configuration: | Off-set Large/small |
| Installation: | Top-mount, Under-mount |
| Min. base cabinet width: | 36" (914 mm) |
| Bowl area (Left): | Length: 17-1/2" (445 mm) Width: 16-9/16" (420 mm) Bowl depth: 9" (229 mm) Water depth: 9" (229 mm) |
| Bowl area (Right): | Length: 11-5/8" (295 mm) Width: 16-9/16" (420 mm) Bowl depth: 9" (229 mm) Water depth: 9" (229 mm) |
| Number of deck holes: | 1 |
| Faucet hole(s): | 1-7/16" (37 mm) |
| Drain hole: | 3-3/4" (94 mm) |
| Template: | 1130823-7, required, included |

Notes

Install this product according to the installation instructions.

Allow 3/4" (19 mm) clearance beyond the back of the bowl for the wood cutting board (optional accessory).