

Features

- 36-inch minimum base cabinet width.
- Double-equal bowls.
- 9" (229 mm) depth provides generous workspace.
- Single faucet hole.
- Smart Divide® feature offers a lower bowl divider that increases workspace versatility.
- Includes installation hardware and bottom sink rack.
- SilentShield® sound-absorption technology offers quieter performance.

Material

- Handcrafted from 18-gauge stainless steel.
- Premium 18-gauge stainless steel.

Installation

- Top-mount or undermount.

Recommended Products/Accessories

- K-6641 Stainless steel sink rack
- K-8801 Sink Strainer
- K-8799 Sink Strainer
- K-23726 Drain treatment
- K-23729 Stainless steel cleaner

Optional Products/Accessories

- K-6429 Utility Rack
- K-6432 Saddle Towel Bar
- K-6434 Saddle Utility Rack
- K-6667 Wood Cutting Board
- 1177161 Installation Clip Kit
- K-11352 Disposal Flange with Stopper

Included Components

Product consists of:

- 1130570 Hardware Kit, Self-Rimming
- K-6641 Stainless steel sink rack

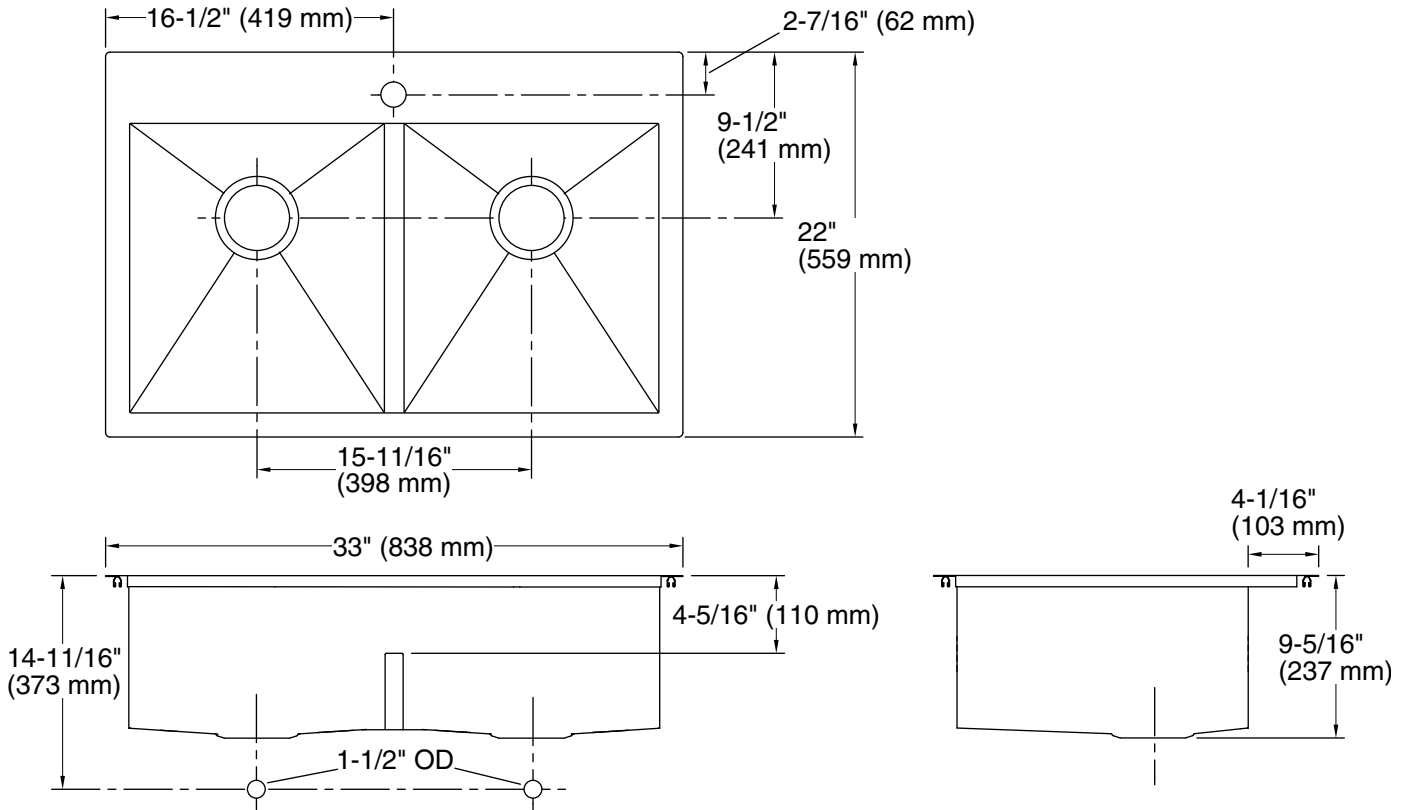


Codes/Standards

ASME A112.19.3/CSA B45.4

Lifetime Limited Warranty for KOHLER® Stainless Steel Sinks

See website for detailed warranty information.



Technical Information

All product dimensions are nominal.

Bowl configuration:	Double equal
Installation:	Top-mount, Under-mount
Min. base cabinet width:	36" (914 mm)
Bowl area (Left):	Length: 14-9/16" (370 mm) Width: 16-9/16" (421 mm) Bowl depth: 9" (229 mm) Water depth: 4-11/16" (119 mm)
Bowl area (Right):	Length: 14-9/16" (370 mm) Width: 16-9/16" (421 mm) Bowl depth: 9" (229 mm) Water depth: 4-11/16" (119 mm)
Number of deck holes:	1
Faucet hole(s):	1-7/16" (37 mm)
Drain hole:	3-5/8" (92 mm)
Template:	1130821-7, required, included

Notes

Install this product according to the installation instructions.

Allow 3/4" (19 mm) clearance beyond the back of the bowl for the wood cutting board (optional accessory).