

### Features

- 36-inch minimum base cabinet width.
- Large/medium bowls.
- 9" (229 mm) depth provides generous workspace.
- Single faucet hole.
- Includes installation hardware and bottom sink rack.
- SilentShield® sound-absorption technology offers quieter performance.

### Material

- Handcrafted from 18-gauge stainless steel.
- Premium 18-gauge stainless steel.

### Installation

- Top-mount or undermount.

### Recommended Products/Accessories

- K-6646 Left-Bowl Sink Rack
- K-6647 Right-Bowl Sink Rack
- K-8801 Sink Strainer
- K-8799 Sink Strainer
- K-23726 Drain treatment
- K-23729 Stainless steel cleaner

### Optional Products/Accessories

- K-6429 Utility Rack
- K-6432 Saddle Towel Bar
- K-6434 Saddle Utility Rack
- K-6667 Wood Cutting Board
- 1177161 Installation Clip Kit
- K-11352 Disposal Flange with Stopper

### Included Components

Product consists of:

- K-6646 Left-Bowl Sink Rack
- 1130570 Hardware Kit, Self-Rimming

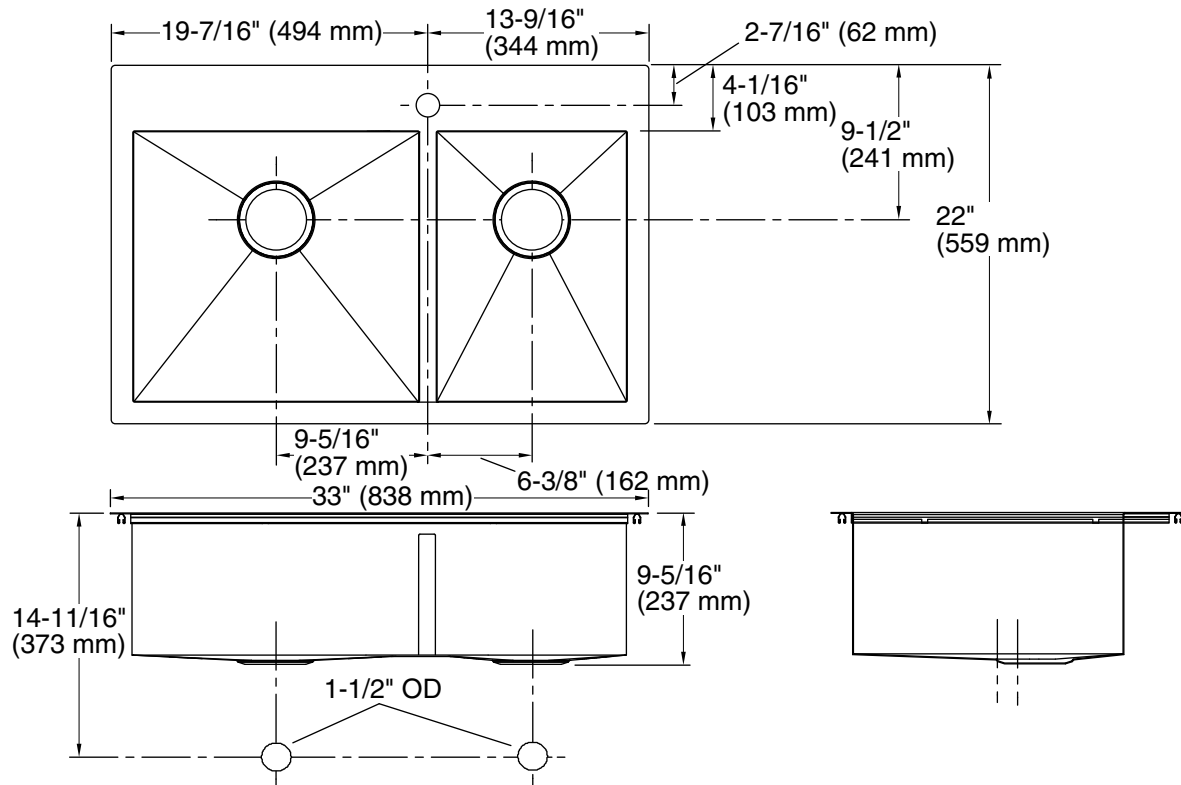


### Codes/Standards

ASME A112.19.3/CSA B45.4

### Lifetime Limited Warranty for KOHLER® Stainless Steel Sinks

See website for detailed warranty information.



### Technical Information

All product dimensions are nominal.

Bowl configuration: Off-set Large/small

Installation: Top-mount, Under-mount

Min. base cabinet width: 36" (914 mm)

Bowl area:  
Length: 17-1/2" (445 mm)  
Width: 16-9/16" (421 mm)  
Bowl depth: 9" (229 mm)  
Water depth: 9" (229 mm)

Bowl area:  
Length: 11-5/8" (295 mm)  
Width: 16-9/16" (421 mm)  
Bowl depth: 9" (229 mm)  
Water depth: 9" (229 mm)

Drain hole: 3-7/8" (98 mm)

Template: 1130823-7, required, included

### Notes

Install this product according to the installation instructions.

Allow 3/4" (19 mm) clearance beyond the back of the bowl for the wood cutting board (optional accessory).