

Features

- 36-inch minimum base cabinet width.
- Wide single bowl.
- 8-inch depth.
- Three faucet holes with one accessory hole to the right.
- SilentShield Plus® sound-absorption technology helps maintain water temperature, reduces condensation, and decreases noise.
- Includes installation hardware.

Material

- 18-gauge stainless steel.

Installation

- Top-mount

Recommended Products/Accessories

K-8801 Sink Strainer
K-8799 Sink Strainer
K-11459 Sink Rack

Optional Products/Accessories

1177161 Installation Clip Kit

Included Components

Product consists of:

1177160 Hardware Kit, Self-Rimming

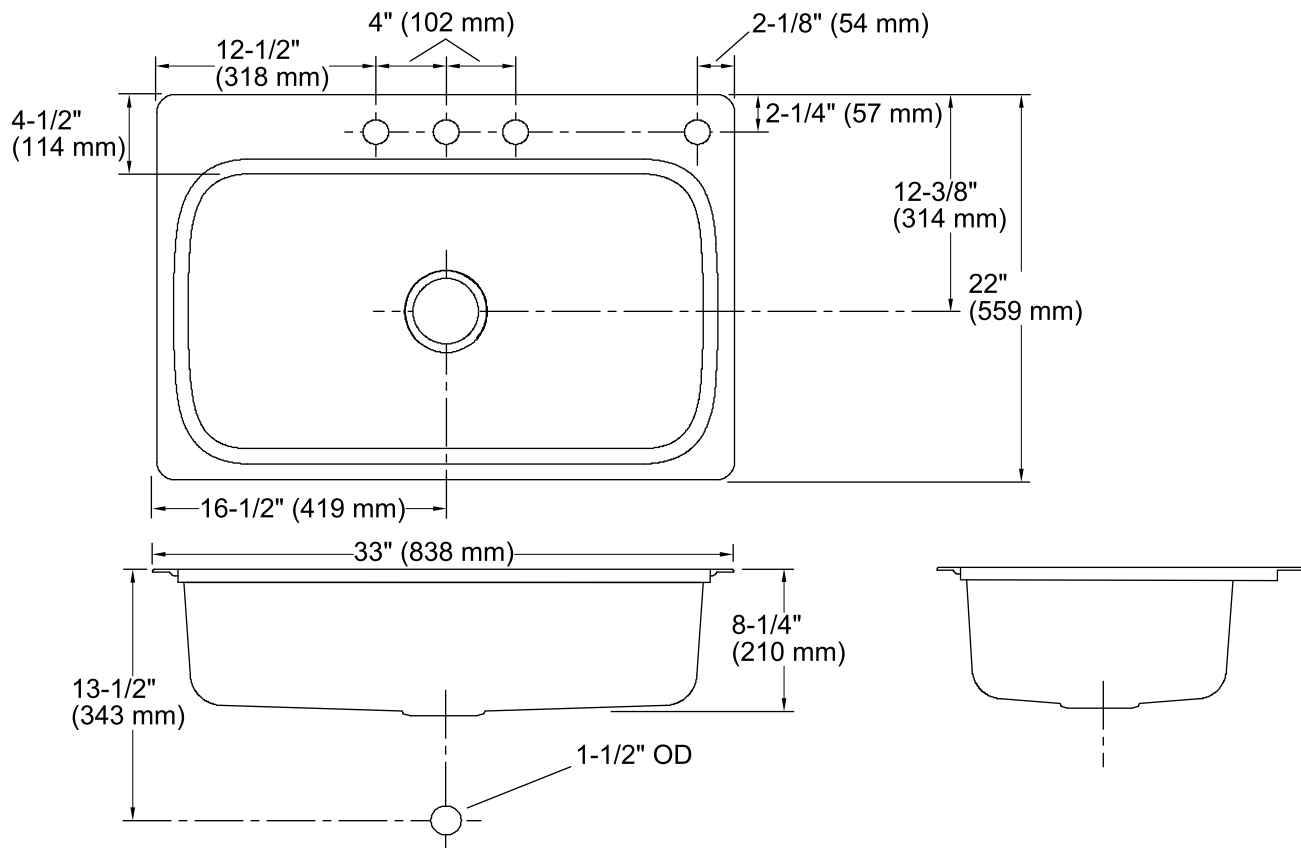


Codes/Standards

ASME A112.19.3/CSA B45.4

Lifetime Limited Warranty for KOHLER® Stainless Steel Sinks

See website for detailed warranty information.



Technical Information

All product dimensions are nominal.

Bowl configuration:	Single
Installation:	Top-mount
Cutout:	Top-mount, 32-1/2" x 21-1/2" (826 mm x 546 mm) with 3/4" (19 mm) radius corners
Min. base cabinet width:	36" (914 mm)
Bowl area (Only):	Length: 29-1/2" (749 mm) Width: 15-3/4" (400 mm) Bowl depth: 8" (203 mm)
Number of deck holes:	4
Faucet hole spacing:	4" (102 mm)
Faucet hole(s):	1-7/16" (37 mm)
Drain hole:	3-5/8" (92 mm)

Notes

Install this product according to the installation instructions.