

# KOHLER®

**Staccato™**  
Cutting Board  
**K-3370**

## Features

- Fits over the K-3369 Staccato kitchen sink.
- Durable hardwood construction.
- Provides a workstation for quick and easy prep work.



## Codes/Standards

EPA TSCA Title VI

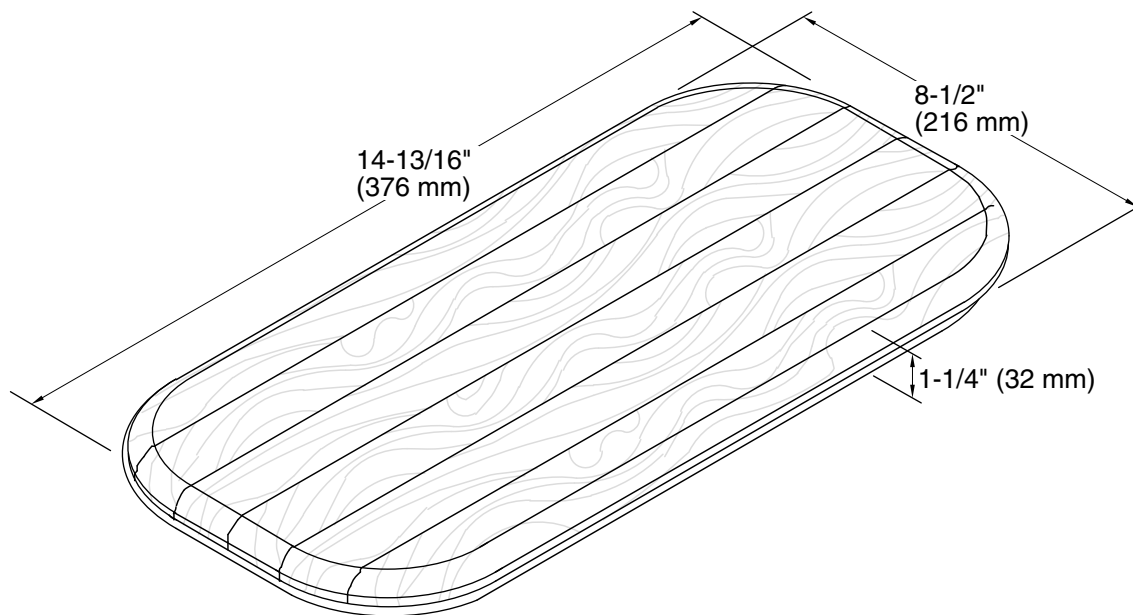
## KOHLER® One-Year Limited Warranty

See website for detailed warranty information.

1-800-4KOHLER (1-800-456-4537)

Kohler Co. reserves the right to make revisions without notice to product specifications.  
For the most current Specification Sheet, go to [www.kohler.com](http://www.kohler.com).

THE BOLD LOOK  
OF **KOHLER®**



## Technical Information

All product dimensions are nominal.

Material: Wood