

KOHLER®

Staccato™ Top-mount Kitchen Sink K-3369-3

Features

- 36-inch minimum base cabinet width.
- Double-equal bowls.
- 8" (203 mm) depth.
- Three faucet holes.
- SilentShield® sound-absorption technology offers quieter performance.
- Includes hardwood cutting board.
- Includes installation hardware.

Material

- Premium 18-gauge stainless steel.

Installation

- Top-mount.

Recommended Products/Accessories

- K-5117 Right-Bowl Sink Rack
- K-5119 Left-Bowl Sink Rack
- K-8801 Sink Strainer
- K-8799 Sink Strainer
- K-23726 Drain treatment
- K-23729 Stainless steel cleaner

Optional Products/Accessories

- K-3370 Cutting Board
- K-8813 Manual Sink Strainer with Tailpiece
- K-11352 Disposal Flange with Stopper



Codes/Standards

ASME A112.19.3/CSA B45.4

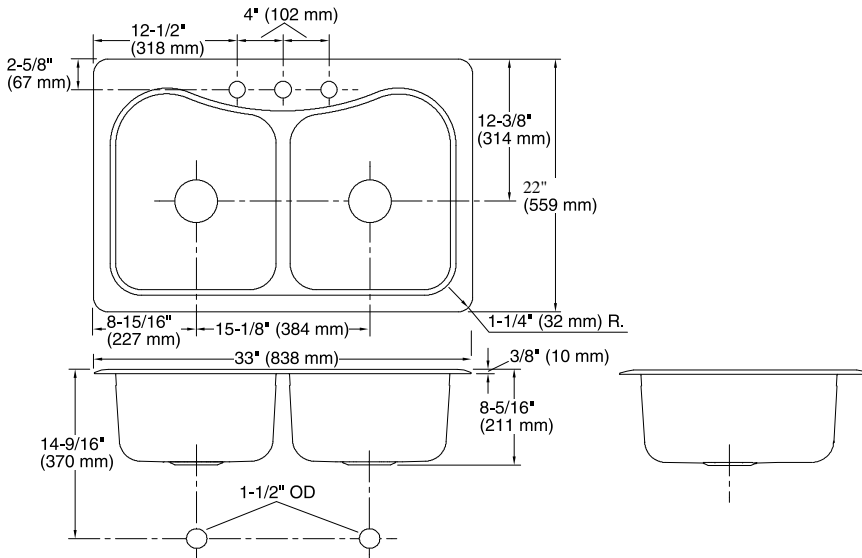
Lifetime Limited Warranty for KOHLER® Stainless Steel Sinks

See website for detailed warranty information.

1-800-4KOHLER (1-800-456-4537)

Kohler Co. reserves the right to make revisions without notice to product specifications.
For the most current Specification Sheet, go to www.kohler.com.

THE BOLD LOOK
OF **KOHLER®**



Technical Information

All product dimensions are nominal.

Bowl configuration: Double equal

Installation: Top-mount

Cutout: Top-mount, 32-1/2" x 21-1/2" (826 mm x 546 mm) with 1" (25 mm) radius corners

Bowl area (Left):
Length: 17-1/16" (433 mm)
Width: 13-15/16" (354 mm)
Bowl depth: 8-5/16" (211 mm)
Water depth: 8" (203 mm)

Bowl area (Right):
Length: 17-1/16" (433 mm)
Width: 13-15/16" (354 mm)
Bowl depth: 8-5/16" (211 mm)
Water depth: 8" (203 mm)

Number of deck holes: 3

Faucet hole spacing: 8" (203 mm)

Faucet hole(s): 1-7/16" (37 mm)

Drain hole: 3-5/8" (92 mm)

Notes

Install this product according to the installation instructions.