

KOHLER®

Staccato™ Top-mount Kitchen Sink K-3362-1

Features

- 27" (686 mm) minimum base cabinet width.
- Single bowl.
- 8" (203 mm) depth.
- Single faucet hole.
- SilentShield® sound-absorption technology offers quieter performance.
- Includes installation hardware.

Material

- Premium 18-gauge stainless steel.

Installation

- Top-mount.

Recommended Products/Accessories

- K-8801 Sink Strainer
- K-8799 Sink Strainer
- K-23726 Drain treatment
- K-23729 Stainless steel cleaner

Optional Products/Accessories

- K-8803 Manual Sink Basket Strainer
- K-8804 Sink Basket Strainer Body
- K-8813 Manual Sink Strainer with Tailpiece
- K-8814 Sink Strainer
- K-11352 Disposal Flange with Stopper

Included Components

- Additional Components:
Installation hardware



Codes/Standards

ASME A112.19.3/CSA B45.4

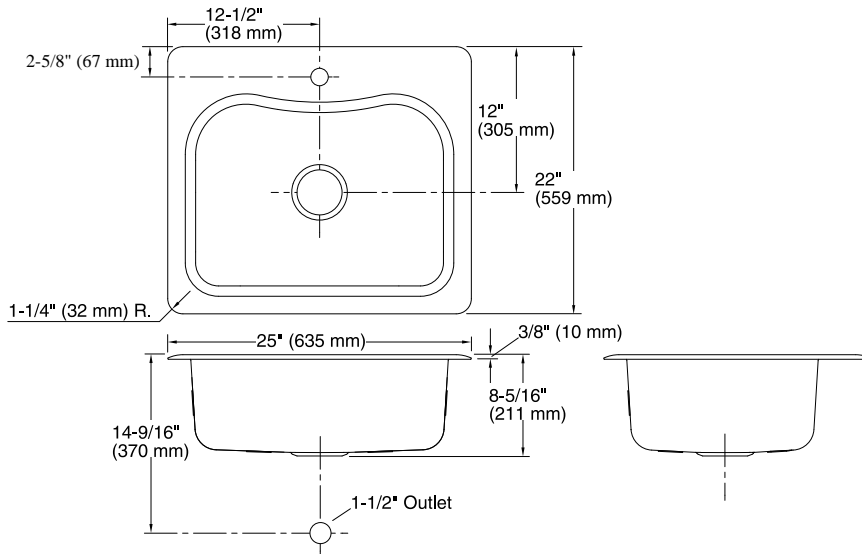
Lifetime Limited Warranty for KOHLER® Stainless Steel Sinks

See website for detailed warranty information.

1-800-4KOHLER (1-800-456-4537)

Kohler Co. reserves the right to make revisions without notice to product specifications.
For the most current Specification Sheet, go to www.kohler.com.

THE BOLD LOOK
OF **KOHLER®**



Technical Information

All product dimensions are nominal.

Bowl configuration:	Single
Installation:	Top-mount
Cutout:	Top-mount, 24-1/2" x 21-1/2" (622 mm x 546 mm) with 1" (25 mm) radius corners
Min. base cabinet width:	27" (686 mm)
Bowl area:	Length: 21-1/8" (537 mm) Width: 15-11/16" (398 mm) Bowl depth: 8-5/16" (211 mm) Water depth: 8" (203 mm)
Number of deck holes:	1
Faucet hole(s):	1-7/16" (37 mm)
Drain hole:	3-5/8" (92 mm)

Notes

Install this product according to the installation instructions.