



**Toccata™**  
Top-mount Kitchen Sink  
**K-3348-3**

**Features**

- 27" (686 mm) minimum base cabinet width.
- Single bowl.
- 7" depth.
- Three faucet holes.
- SilentShield® sound-absorption technology offers quieter performance.
- Includes installation hardware.

**Material**

- Premium 18-gauge stainless steel.

**Installation**

- Top-mount.

**Recommended Products/Accessories**

- K-8801 Sink Strainer
- K-8799 Sink Strainer
- K-23726 Drain treatment
- K-23729 Stainless steel cleaner

**Optional Products/Accessories**

- 1177161 Installation Clip Kit
- K-11352 Disposal Flange with Stopper

**Included Components**

Product consists of:

- 1177160 Hardware Kit, Self-Rimming

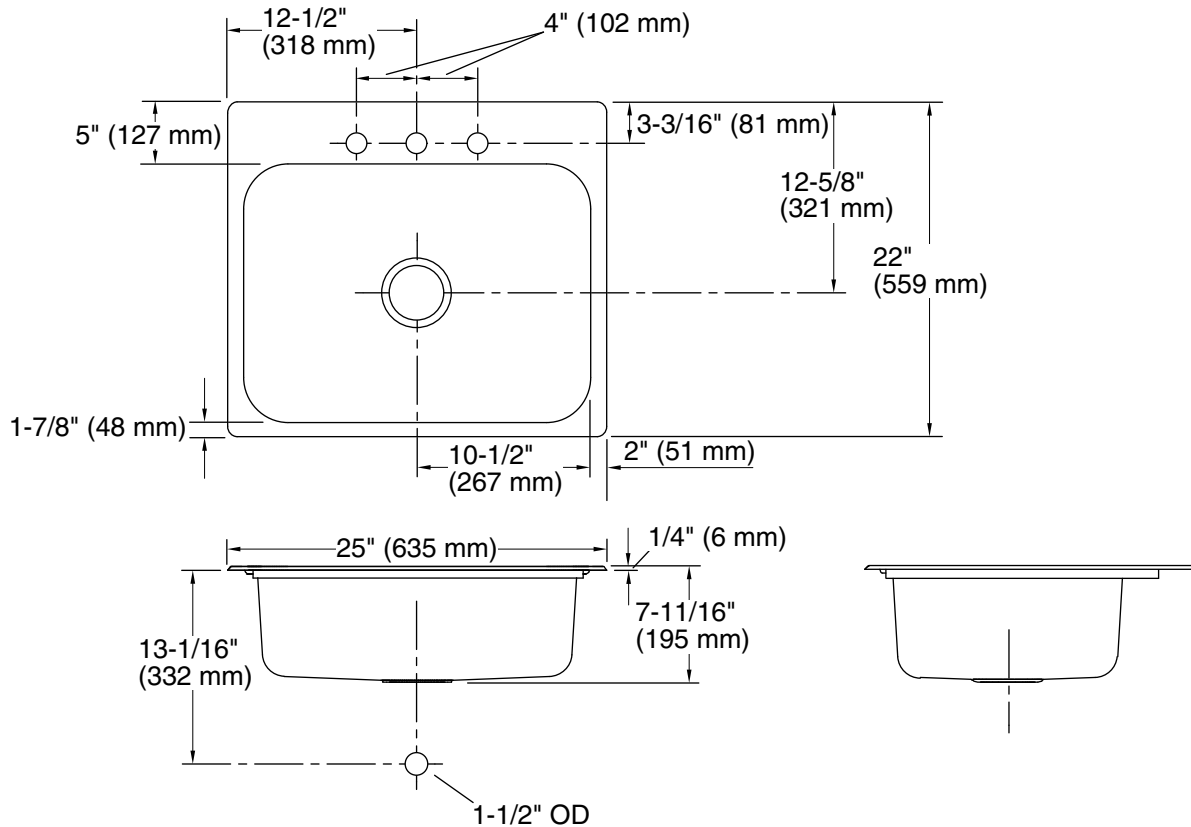


**Codes/Standards**

ASME A112.19.2/CSA B45.1

**Lifetime Limited Warranty for  
KOHLER® Stainless Steel Sinks**

See website for detailed warranty information.



## Technical Information

All product dimensions are nominal.

Bowl configuration:	Single
Installation:	Top-mount
Cutout:	Top-mount, 24-1/2" x 21-1/2" (622 mm x 546 mm) with 1/2" (13 mm) radius corners
Min. base cabinet width:	27" (686 mm)
Bowl area (Only):	Length: 21" (533 mm) Width: 15-1/4" (387 mm) Bowl depth: 8" (203 mm)
Number of deck holes:	3
Faucet hole(s):	1-7/16" (37 mm)
Drain hole:	3-5/8" (92 mm)

## Notes

Install this product according to the installation instructions.

Installer must supply mounting hardware for countertops of 2-1/2" (64 mm) thickness or less. Refer to installation kit 1177161.