

KOHLER®

Undertone® Under-Mount Kitchen Sink K-3335

Features

- 24" (610 mm) minimum base cabinet width.
- Single bowl.
- 9-1/2" depth provides generous workspace.
- SilentShield® sound-absorption technology offers quieter performance.
- Includes installation hardware.

Material

- Premium 18-gauge stainless steel.

Installation

- No faucet holes.
- Undermount.

Recommended Products/Accessories

- K-6389 Sink rack for Undertone® sinks
- K-6539 Drainboard with Sink Rack
- K-8801 Sink Strainer
- K-8799 Sink Strainer
- K-23726 Drain treatment
- K-23729 Stainless steel cleaner

Optional Products/Accessories

- K-8813 Manual Sink Strainer with Tailpiece
- K-8814 Sink Strainer
- K-11352 Disposal Flange with Stopper

Included Components

Product consists of:

- 91915 Hardware Kit



Codes/Standards

ASME A112.19.3/CSA B45.4

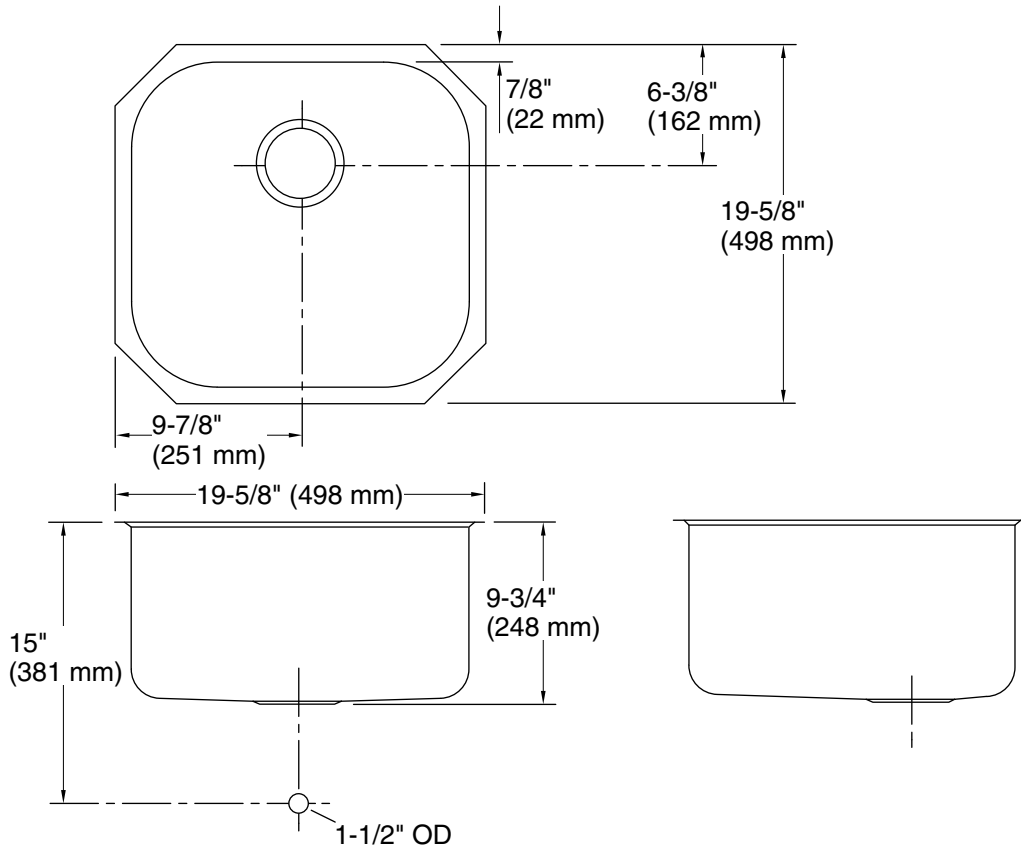
Lifetime Limited Warranty for KOHLER® Stainless Steel Sinks

See website for detailed warranty information.

1-800-4KOHLER (1-800-456-4537)

Kohler Co. reserves the right to make revisions without notice to product specifications.
For the most current Specification Sheet, go to www.kohler.com.

THE BOLD LOOK
OF **KOHLER®**



Technical Information

All product dimensions are nominal.

Bowl configuration: Single

Installation: Under-mount

Min. base cabinet width: 24" (610 mm)

Bowl area (Only): Length: 17-7/8" (454 mm)
Width: 17-7/8" (454 mm)
Bowl depth: 9-1/2" (241 mm)

Drain hole: 3-5/8" (92 mm)

Template: 113196-7, required, included

Notes

Install this product according to the installation instructions.