

Features

- Mixing valve cycles from "cold" to "hot".
- Rite-Temp® pressure-balancing diaphragm design valve.
- Rite-Temp® pressure-balancing technology maintains water temperature within +/- 3 degrees Fahrenheit.
- Provides anti-scald protection and temperature regulation.
- 1/2-inch CPVC inlet connections pre-installed on the valve supply inlets so no additional adapters are required.
- Integral screwdriver stops allow you to turn off the water supply at the valve.
- High-temperature safety stop ensures water temperature stays below 120 degrees Fahrenheit.
- Requires valve trim (sold separately).
- Deep rough-in kit varies with trim.

Material

- Brass construction.

Installation

- Back-to-back installation is ideal for unique or high-volume jobs.
- Mounting tabs located on rough-in for secure installation option.



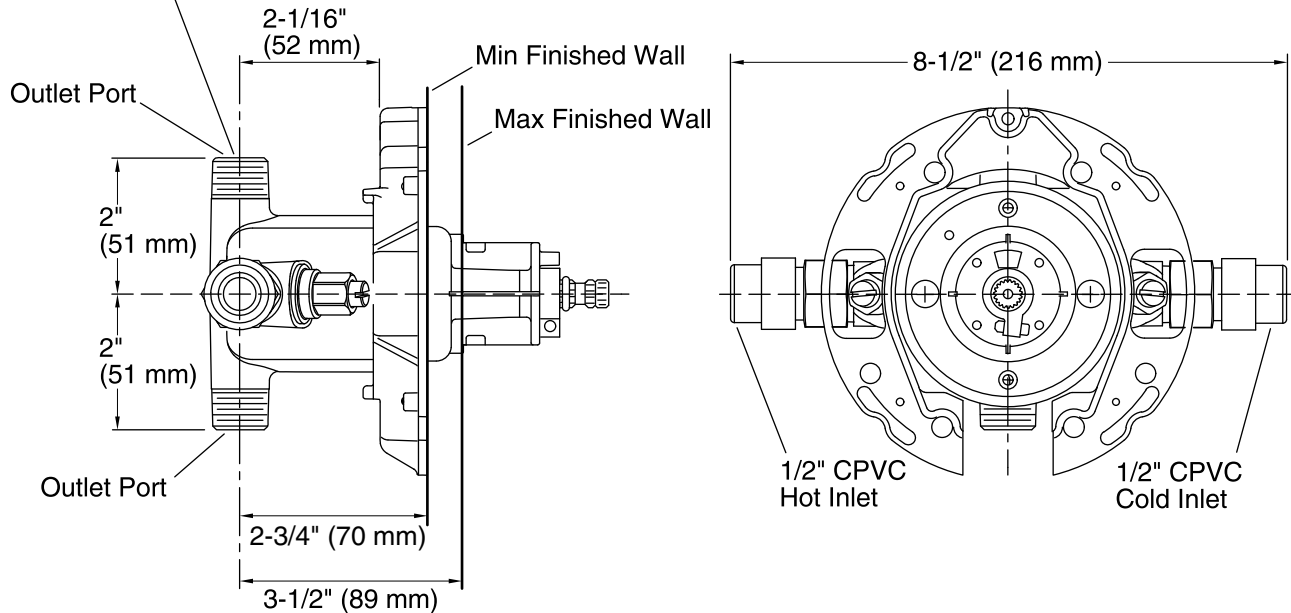
Codes/Standards

ASME A112.18.1/CSA B125.1
ASSE 1016/ASME A112.1016/CSA B125.16

KOHLER® Faucet Lifetime Limited Warranty

See website for detailed warranty information.

1/2"-14 NPT or 5/8" ID
for 1/2" Nominal Copper Tubing



Technical Information

All product dimensions are nominal.

Shower Valve:

Flow rate - Max: 5 gal/min (18.9 l/min)

Notes

Install this product according to the installation guide.

Avoid cross-flow conditions. Do not install a shut-off device on either valve outlet.

Cap the shower outlet if deck-mount spout, diverter, or handshower is connected to the spout outlet.

Install straight pipe or tube drop of 7" (178 mm) to 18" (457 mm) with single elbow between the valve and wall-mount spout.