

Features

- High-temperature limit setting for added safety.
- Temperature-balancing mechanism.
- Scald hazard prevention.
- Integral service stops.
- Crossflow prevention.
- 1/2" NPT connections.
- Serviceable inlet filter screens.
- Single outlet.
- Independent temperature volume controls.

Material

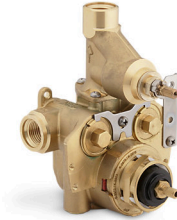
- Forged brass valve body.

Installation

- Wall-mount.
- Requires K-9663 twin ell (sold separately) when using a diverter spout.

Required Products/Accessories

K-9663

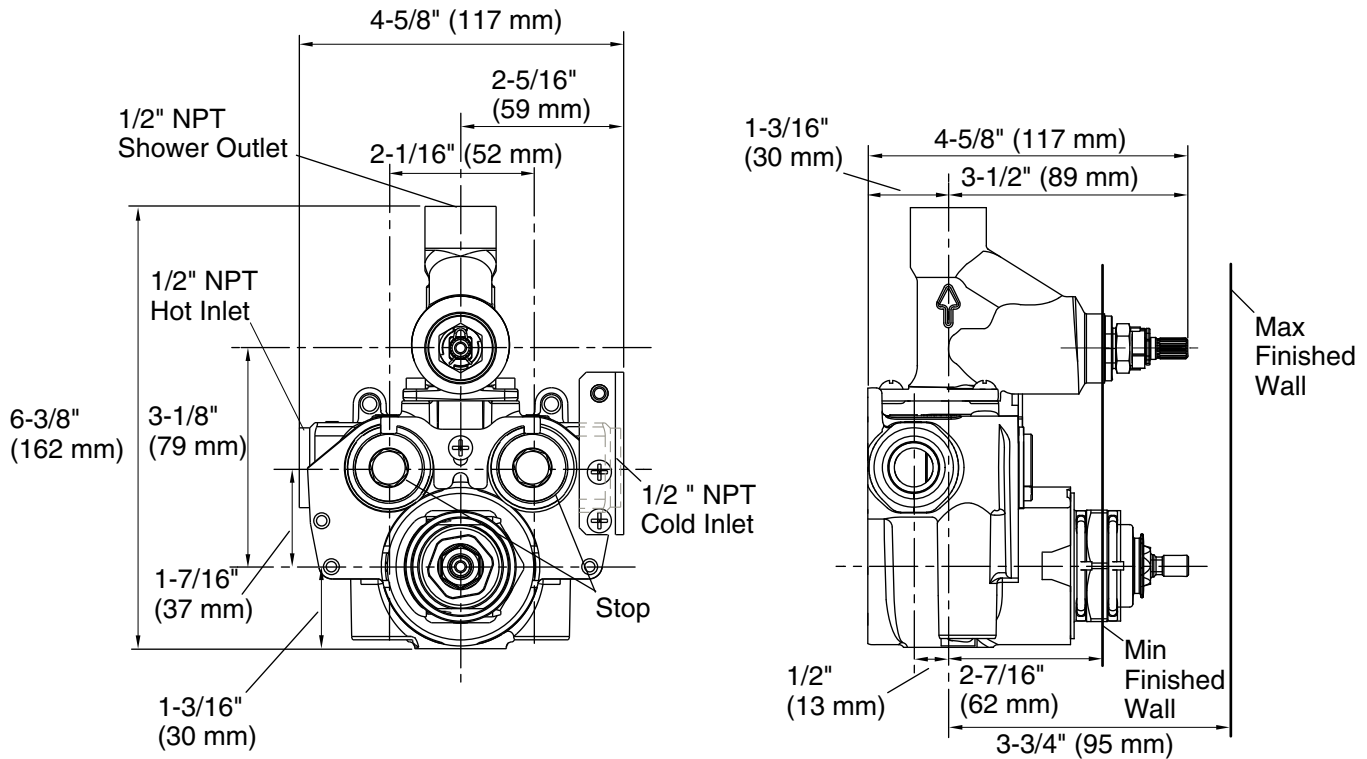


Codes/Standards

ASME A112.18.1/CSA B125.1
ASSE 1016/ASME A112.1016/CSA B125.16

KOHLER® Faucet Lifetime Limited Warranty

See website for detailed warranty information.



Technical Information

All product dimensions are nominal.

Notes

Install this product according to the installation instructions.

The K-2973-KS thermostatic mixer valve includes one volume control for shower-only or bath-only installations.

For installations with a diverter spout, a K-9663 twin ell is required between the valve and the spout. The supply to the K-9663 twin ell must run from the top port.