



# Persuade® Curv

Vanity-top widespread bathroom sink  
**K-2956-8**

## Features

- 8-inch center faucet holes.
- Basin with square back and curved front.
- Overflow drain.
- Combines with industry-standard 24-inch vanities.
- Coordinates with other products in the Persuade collection.

## Material

- Vitreous china.

## Installation

- Vanity-top.

## Recommended Products/Accessories

- K-8998 P-Trap
- K-2529 Vanity
- K-2526 Console Table
- K-2527 Petite Vanity



## Codes/Standards

ASME A112.19.2/CSA B45.1





## KOHLER® One-Year Limited Warranty

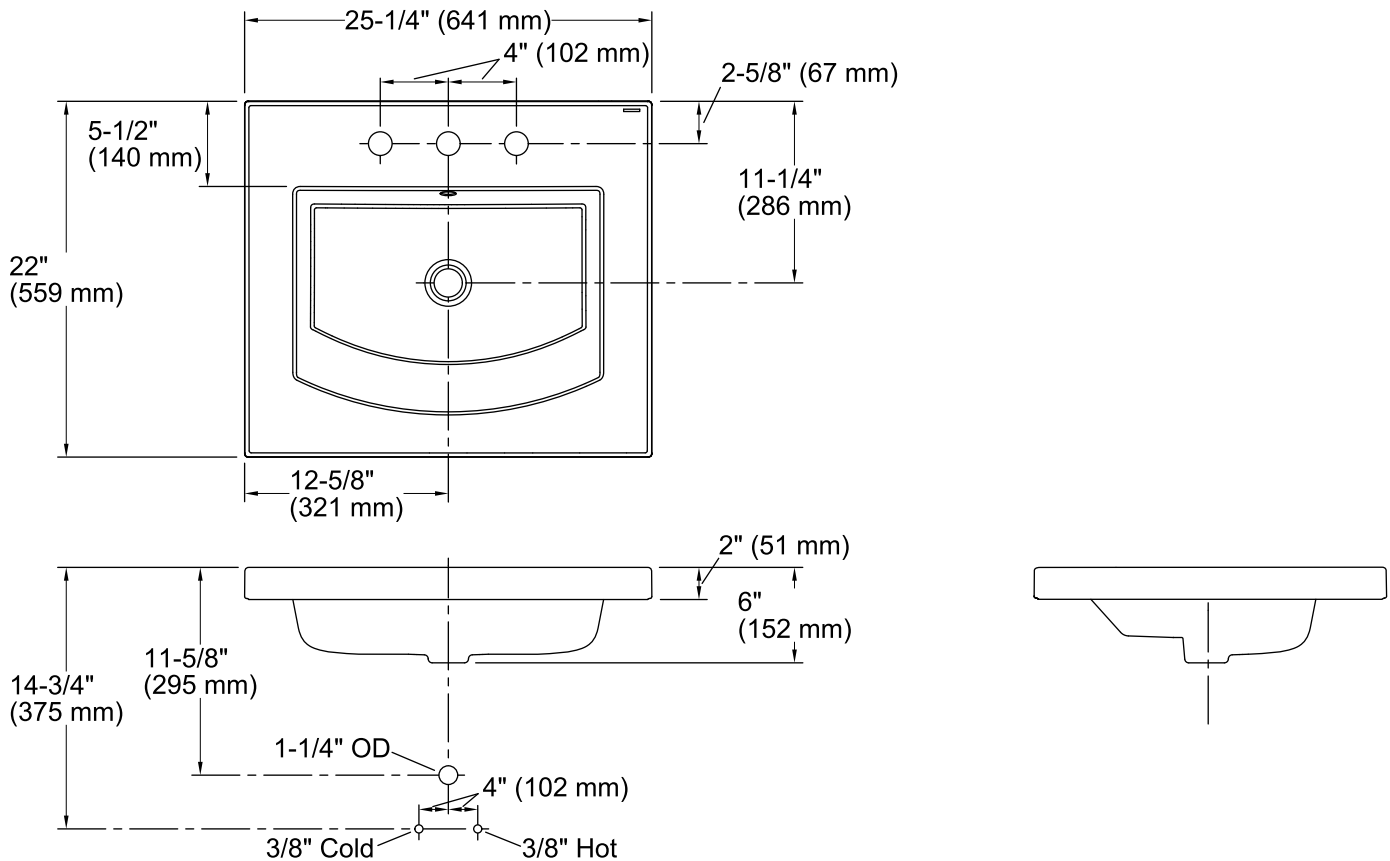
See website for detailed warranty information.

## Available Colors/Finishes

*Color tiles intended for reference only.*

Color	Code	Description
-------	------	-------------

	0	White
	HW1	Honed White
	96	Biscuit
	47	Almond



### Technical Information

All product dimensions are nominal.

Bowl configuration:	Single
Installation:	Vanity top/ITB
Bowl area (Only):	Length: 18-13/16" (478 mm) Width: 13-7/8" (352 mm) Water depth: 2-1/2" (64 mm)
Number of deck holes:	3
Faucet hole spacing:	8" (203 mm)
Faucet hole(s):	1-3/8" (35 mm)
Drain hole:	1-3/4" (44 mm)
Template:	Top-mount, 1139967-7, required, included

### Notes

Install this product according to the installation instructions.

**NOTICE:** Countertop manufacturer or cutter must use the cut-out template provided with the product, or a current one provided by Kohler Co. (call 1-800-4KOHLER). Kohler Co. is not responsible for cutout errors when incorrect cut-out template is used.

**NOTE:** This bathroom sink is also designed for installation to the K-2526, K-2527 and K-2529 vanities.