



# Persuade® Curv

Vanity-top centerset bathroom sink  
**K-2956-4**

### Features

- 4-inch center faucet holes.
- Basin with square back and curved front.
- Overflow drain.
- Combines with industry-standard 24-inch vanities.
- Coordinates with other products in the Persuade collection.

### Material

- Vitreous china.

### Installation

- Vanity-top.

### Recommended Products/Accessories

- K-8998 P-Trap
- K-2529 Vanity
- K-2526 Console Table
- K-2527 Petite Vanity



### Codes/Standards

ASME A112.19.2/CSA B45.1





### KOHLER® One-Year Limited Warranty

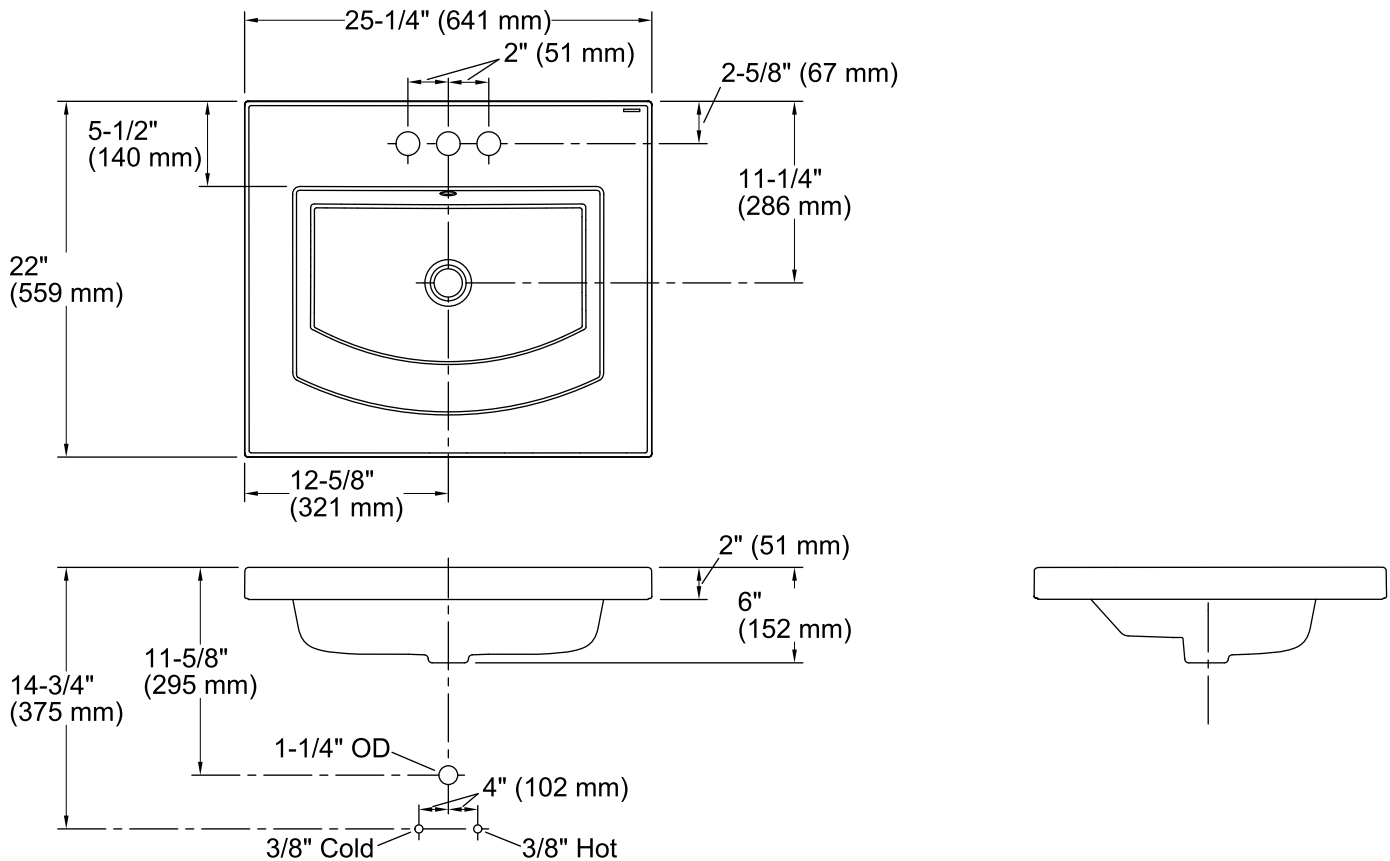
See website for detailed warranty information.

### Available Colors/Finishes

*Color tiles intended for reference only.*

Color	Code	Description
-------	------	-------------

	0	White
	HW1	Honed White
	96	Biscuit
	47	Almond



### Technical Information

All product dimensions are nominal.

- Bowl configuration: Single
- Installation: Vanity top/ITB
- Bowl area (Only): Length: 18-13/16" (478 mm)  
 Width: 13-7/8" (352 mm)  
 Water depth: 2-1/2" (64 mm)
- Number of deck holes: 3
- Faucet hole spacing: 4" (102 mm)
- Faucet hole(s): 1-1/4" (32 mm)
- Drain hole: 1-3/4" (44 mm)
- Template: 1139967-7, required, included

### Notes

- Install this product according to the installation instructions.
- NOTICE: Countertop manufacturer or cutter must use the cut-out template provided with the product, or a current one provided by Kohler Co. (call 1-800-4KOHLER). Kohler Co. is not responsible for cutout errors when incorrect cut-out template is used.
- NOTE: This bathroom sink is also designed for installation to the K-2526, K-2527 and K-2529 vanities.