



Traverse®

Above-counter Bathroom Sink

K-2955-1

Features

- Single faucet hole.
- Spacious, wide-rimmed rectangular basin.
- Overflow drain.
- Combines with the K-2517 Traverse wall-hung vanity or other vanities.

Material

- Fireclay

Installation

- Vanity top.

Recommended Products/Accessories

K-8998 P-Trap

K-2517 Vanity



Codes/Standards

ASME A112.19.2/CSA B45.1

KOHLER® One-Year Limited Warranty

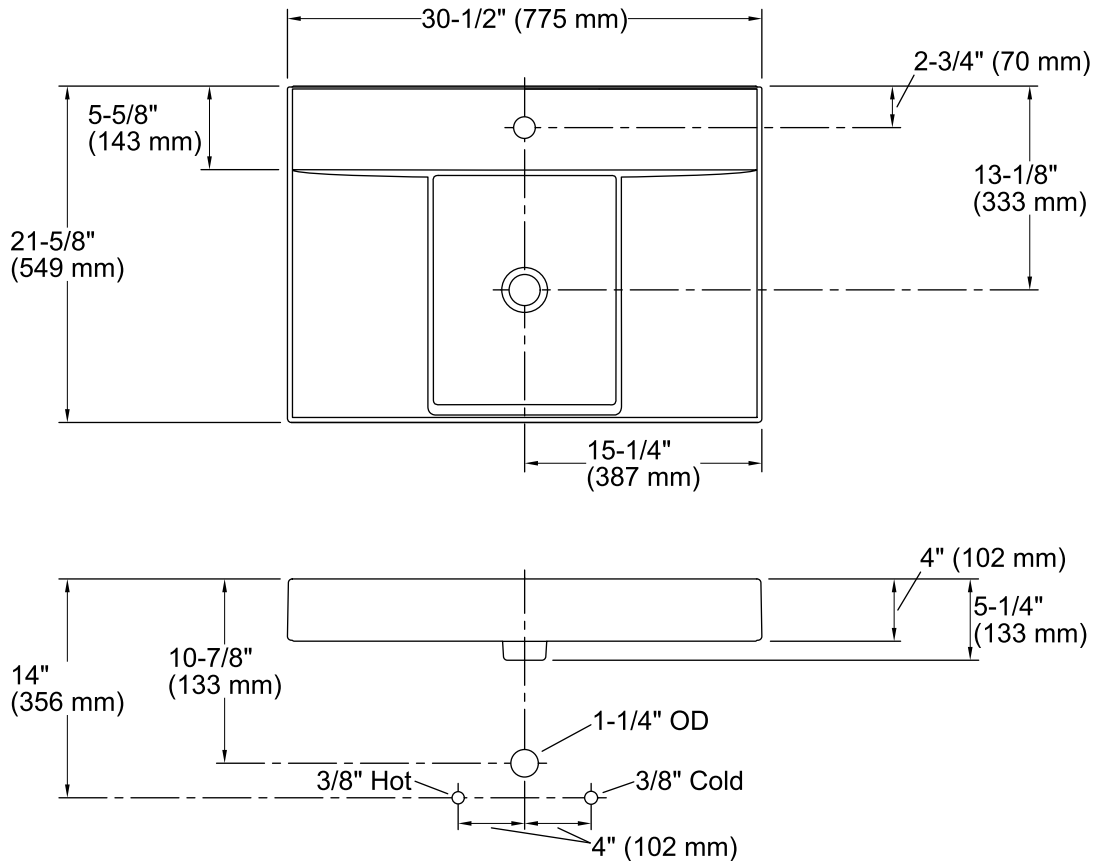
See website for detailed warranty information.

Available Colors/Finishes

Color tiles intended for reference only.

Color	Code	Description
-------	------	-------------

	0	White
--	---	-------



Technical Information

All product dimensions are nominal.

Bowl configuration:	Single
Installation:	Vanity top/ITB
Bowl area (Only):	Length: 12" (305 mm) Width: 15-1/4" (387 mm) Water depth: 3" (76 mm)
Number of deck holes:	1
Faucet hole(s):	1-3/8" (35 mm)
Drain hole:	1-3/4" (44 mm)
Template:	1003676-7, required, included

Notes

Install this product according to the installation instructions.

NOTICE: Countertop manufacturer or cutter must use the cut-out template provided with the product, or a current one provided by Kohler Co. (call 1-800-4KOHLER). Kohler Co. is not responsible for cutout errors when incorrect cut-out template is used.

NOTE: This bathroom sink is also designed for installation to the K-2517 vanity.