

Features

- 4-inch center faucet holes.
- Overflow drain.
- Undercounter and metal frame models are ADA-compliant
- Single-hole center-mount or 4" centers

Material

- KOHLER enameled cast iron.

Installation

- Under-mount
- Drilled oversized to accommodate single-hole centermount or centerset faucet.

Recommended Products/Accessories

K-8998 P-Trap

Included Components

Additional Components:
1193643 Basin Clamps



ADA

CSA B651

Codes/Standards

ASME A112.19.1/CSA B45.2
ADA
ICC/ANSI A117.1
CSA B651




Lifetime Limited Warranty for KOHLER® Cast Iron Components

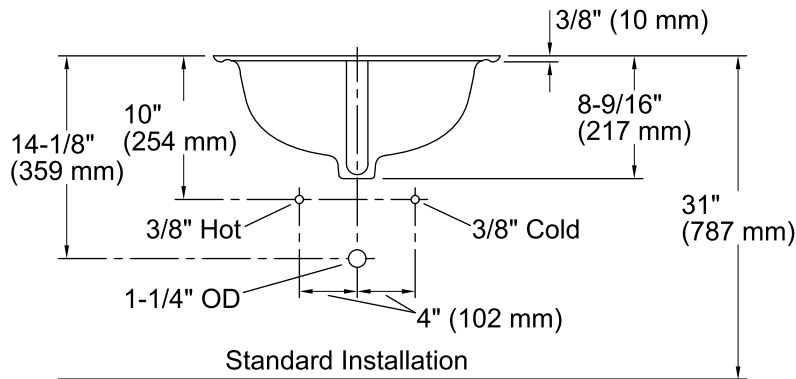
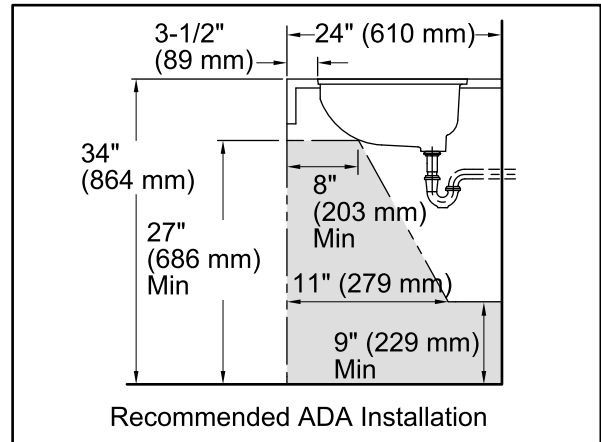
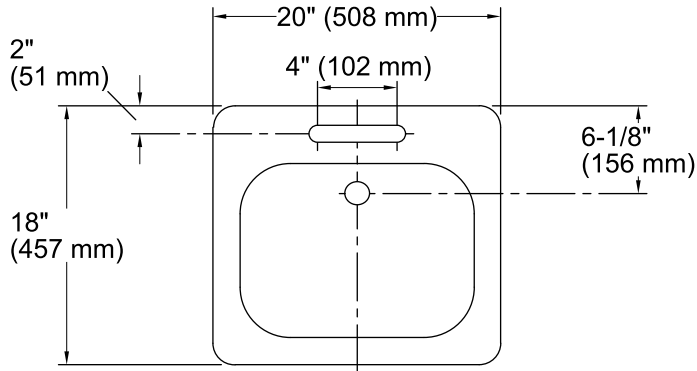
See website for detailed warranty information.

Available Colors/Finishes

Color tiles intended for reference only.

| Color | Code | Description |
|-------|------|-------------|
|-------|------|-------------|

| | | |
|--|----|---------|
|  | 0 | White |
|  | 96 | Biscuit |
|  | 47 | Almond |



Technical Information

All product dimensions are nominal.

- Bowl configuration: Single
- Installation: Under-mount
- Bowl area (Only): Length: 16" (406 mm)
Width: 12" (305 mm)
Water depth: 5" (127 mm)
- Number of deck holes: 3
- Faucet hole spacing: 4" (102 mm)
- Faucet hole(s): 2-1/8" (54 mm)
- Drain hole: 1-11/16" (43 mm)
- Template: 114409-7, required, included

Notes

- Install this product according to the installation instructions.
- ADA, CSA B651 compliant when installed to the specific requirements of these regulations.