

## Features

- 8-inch center faucet holes.
- Oval basin.

## Material

- KOHLER® enameled cast iron.

## Installation

- Drop-in



ADA CSA B651 OBC

## Codes/Standards

ASME A112.19.1/CSA B45.2  
ADA  
ICC/ANSI A117.1  
CSA B651  
OBC

## Lifetime Limited Warranty for KOHLER® Cast Iron Components

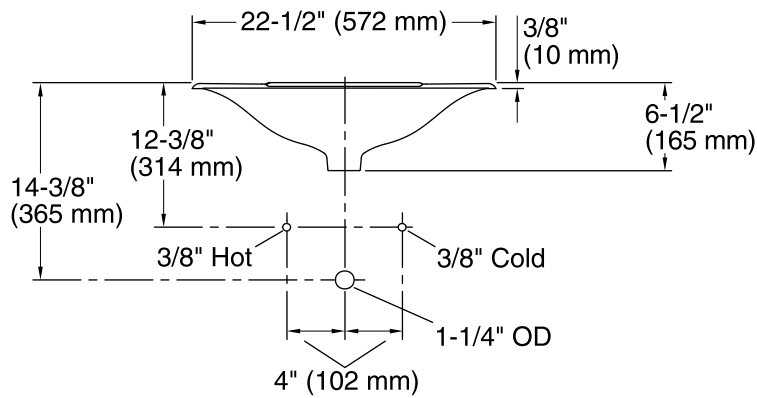
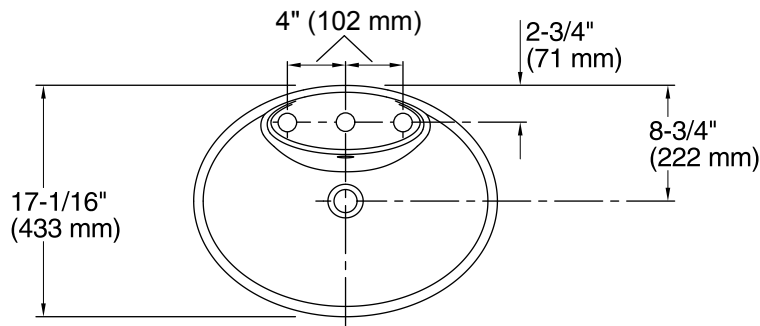
See website for detailed warranty information.

## Available Colors/Finishes

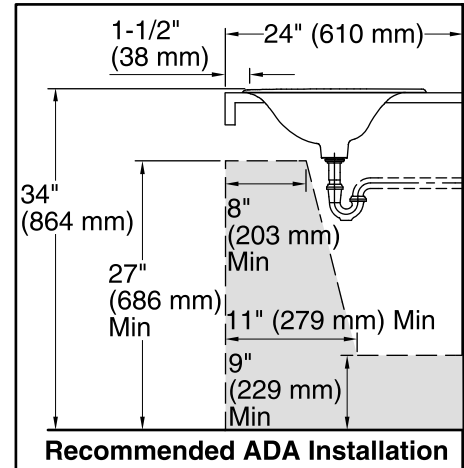
*Color tiles intended for reference only.*

### Color Code Description

■ 0 White



**Standard Installation**



**Recommended ADA Installation**

## Technical Information

All product dimensions are nominal.

Bowl configuration:	Single
Installation:	Drop-in
Bowl area (Only):	Length: 21-1/16" (535 mm) Width: 11-1/4" (286 mm) Bowl depth: 4-1/2" (115 mm) Water depth: 4-1/2" (115 mm)
Number of deck holes:	3
Faucet hole spacing:	8" (203 mm)
Faucet hole(s):	1-3/8" (35 mm)
Drain hole:	1-3/4" (44 mm)
Template:	1046628-7, not required, included

## Notes

Install this product according to the installation instructions.

**NOTICE:** Countertop manufacturer or cutter must use the cut-out template provided with the product, or a current one provided by Kohler Co. (call 1-800-4-KOHLER). Kohler Co. is not responsible for cutout errors when the incorrect cut-out template is used.

Product does not have an overflow.

ADA, OBC, CSA B651 compliant when installed to the specific requirements of these regulations.