



Maratea®
Drop-In Bathroom Sink
K-2831-1

Features

- Single faucet hole.
- Oval basin.

Material

- KOHLER® enameled cast iron.

Installation

- Drop-in



ADA

CSA B651

OBC

Codes/Standards

ASME A112.19.1/CSA B45.2

ADA

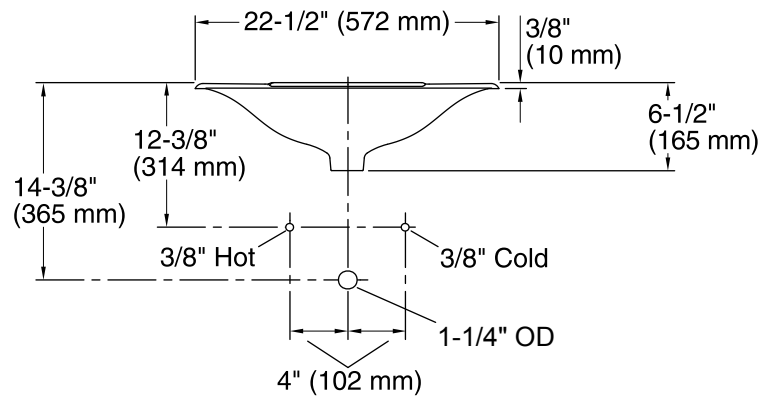
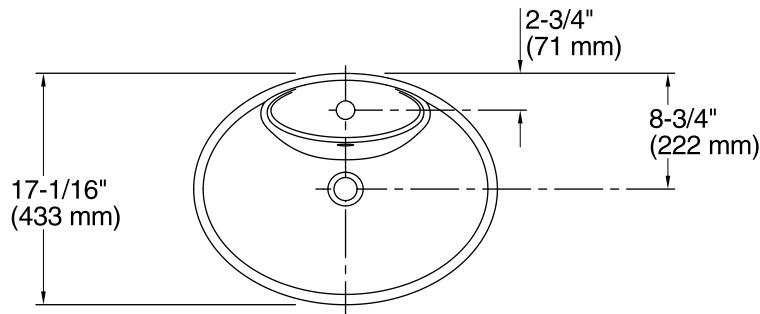
ICC/ANSI A117.1

CSA B651

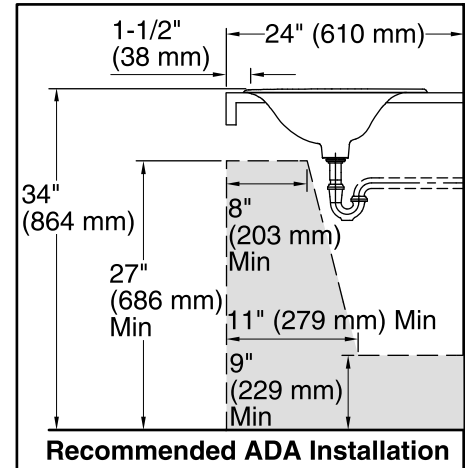
OBC

**Lifetime Limited Warranty for
KOHLER® Cast Iron Components**

See website for detailed warranty information.



Standard Installation



Technical Information

All product dimensions are nominal.

- Bowl configuration: Single
- Installation: Drop-in
- Bowl area (Only): Length: 21-1/16" (535 mm)
Width: 11-1/4" (286 mm)
Bowl depth: 4-1/2" (115 mm)
Water depth: 4-1/2" (115 mm)
- Number of deck holes: 1
- Faucet hole(s): 1-3/8" (35 mm)
- Drain hole: 1-3/4" (44 mm)
- Template: 1046628-7, not required, included

Notes

Install this product according to the installation instructions.

NOTICE: Countertop manufacturer or cutter must use the cut-out template provided with the product, or a current one provided by Kohler Co. (call 1-800-4-KOHLER). Kohler Co. is not responsible for cutout errors when the incorrect cut-out template is used.

Product does not have an overflow.

ADA, OBC, CSA B651 compliant when installed to the specific requirements of these regulations.