



Iron/Tones®

Drop-in/Under-mount Bathroom Sink

K-2826

Features

- Round-in-square basin.
- No faucet holes; requires wall- or counter-mount faucet.

Material

- KOHLER® enameled cast iron.

Installation

- Drop-in or under-mount.

Recommended Products/Accessories

K-9018 P-Trap

Included Components

Additional Components:

1193643 Basin Clamps



ADA CSA B651

Codes/Standards

ASME A112.19.1/CSA B45.2

ADA

ICC/ANSI A117.1








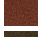
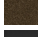
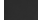
CSA B651

Lifetime Limited Warranty for KOHLER® Cast Iron Components

See website for detailed warranty information.

Available Colors/Finishes

Color tiles intended for reference only.

Color	Code	Description
	0	White
	FF	Sea Salt™
	96	Biscuit
	47	Almond
	FD	Cane Sugar™
	KC	Vapour™ Blue
	FT	Basalt
	RR	Ember™
	KA	Black 'n Tan
	7	Black Black™

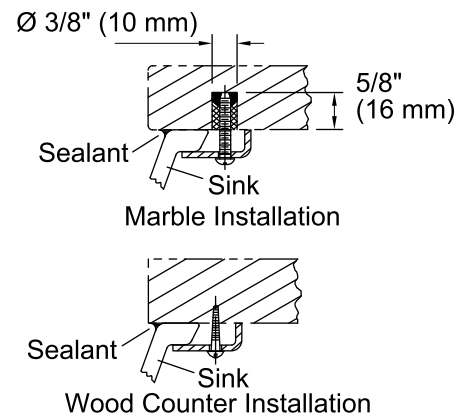
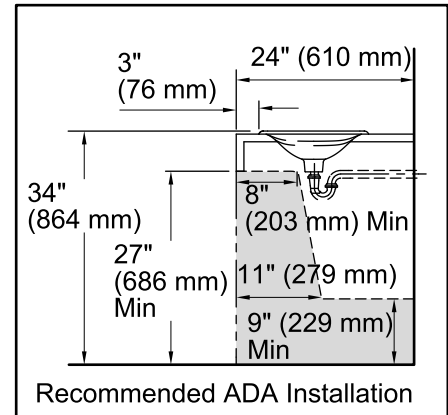
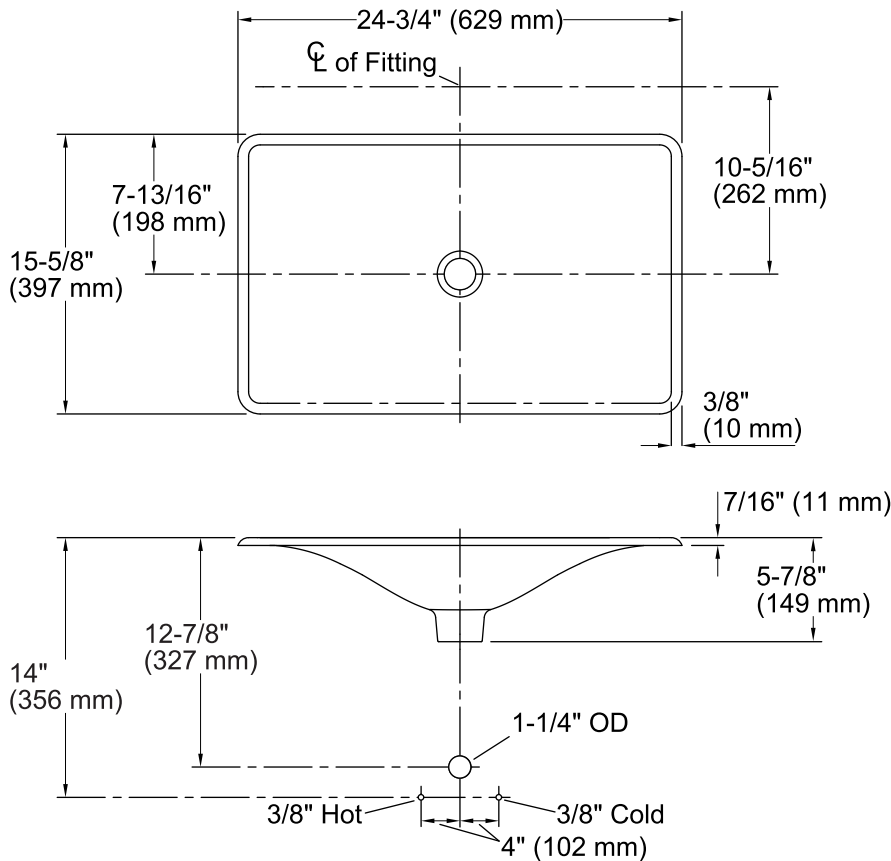
1-800-4KOHLE (1-800-456-4537)

Kohler Co. reserves the right to make revisions without notice to product specifications.

For the most current Specification Sheet, go to www.kohler.com.

4-25-2019 20:29 - US/CA/MX

THE BOLD LOOK
OF **KOHLER**®



Technical Information

All product dimensions are nominal.

Bowl configuration:	Single
Installation:	Drop-in, Under-mount
Bowl area (Only):	Length: 23-3/4" (603 mm) Width: 14-1/2" (368 mm) Water depth: 3-7/8" (98 mm)
Drain hole:	1-3/4" (44 mm)
Template:	1053506-7, required, included

Notes

Install this product according to the installation instructions.

Supplied basin clamp assemblies require 1" (25 mm) minimum countertop thickness. Installer must supply anchors for thinner countertops.

NOTICE: The countertop manufacturer or cutter must use the cut-out template provided with the product, or a current one provided by the Kohler Co. (call 1-800-4-KOHLER.) Kohler Co. is not responsible for cut-out errors when the incorrect cut-out template is used.

ADA, CSA B651 compliant when installed to the specific requirements of these regulations.