



Dolce Vita®
Above-counter Bathroom Sink
K-2815-P5

Features

- Distinctive curved shape.
- No faucet holes; requires wall- or counter-mount faucet.

Material

- KOHLER® enameled cast iron.
- Iron Black underside.

Installation

- Drop-in, vessel, or wall-mount.
- Requires K-9655 Vessel bracket for wall-mount installation.

Recommended Products/Accessories

- K-9018 P-Trap
- K-7114 Pop-Up Drain

Optional Products/Accessories

- K-9655 Wall-Mount Vessel Bracket



ADA **CSA B651**

Codes/Standards

- ASME A112.19.1/CSA B45.2
- ADA
- ICC/ANSI A117.1
- CSA B651

Lifetime Limited Warranty for KOHLER® Cast Iron Components

See website for detailed warranty information.

Available Colors/Finishes

Color tiles intended for reference only.

Color	Code	Description
	0	White
	FF	Sea Salt™
	96	Biscuit
	47	Almond
	FD	Cane Sugar™
	G9	Sandbar
	45	Wild Rose™
	KF	Vapour™ Pink
	KE	Vapour™ Orange
	FT	Basalt
	RR	Ember™
	30	Iron Cobalt
	52	Navy
	KA	Black 'n Tan

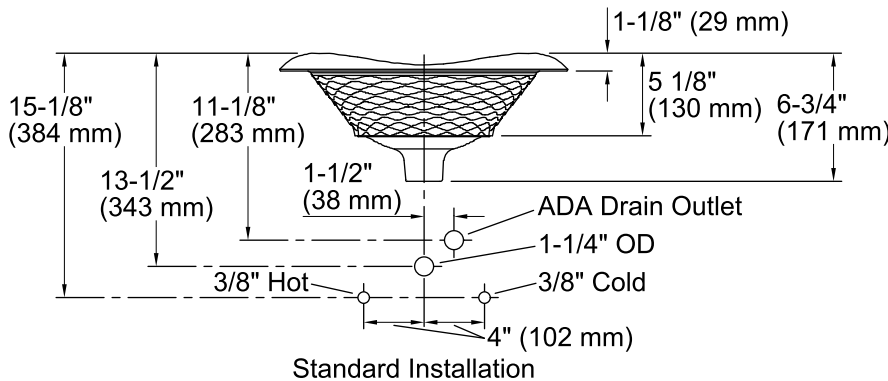
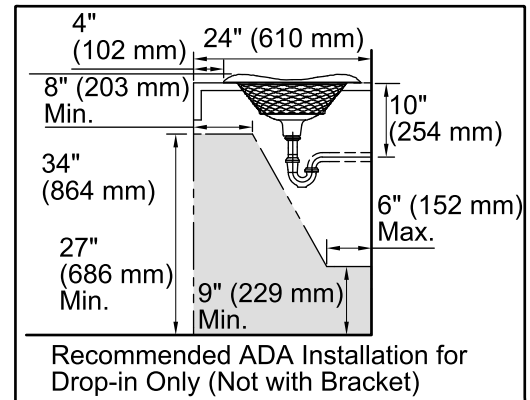
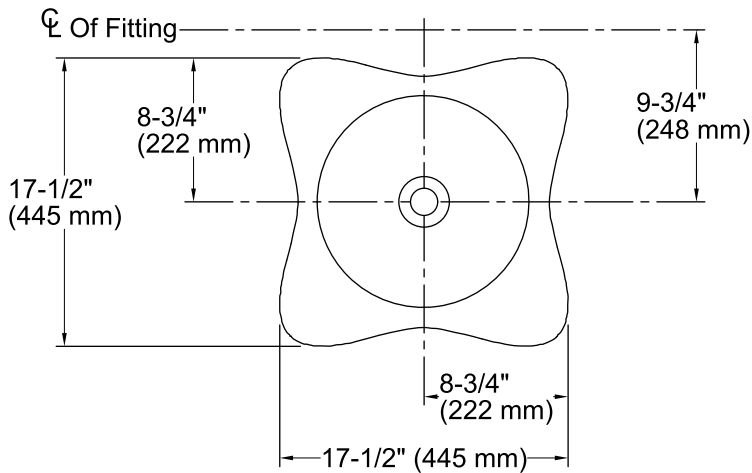
1-800-4KOHLER (1-800-456-4537)

Kohler Co. reserves the right to make revisions without notice to product specifications.

For the most current Specification Sheet, go to www.kohler.com.

4-25-2019 20:28 - US/CA/MX





Technical Information

All product dimensions are nominal.

- Bowl configuration: Single
- Installation: Drop-in, Wall-mount
- Bowl area (Only): Diameter: 13" (330 mm)
Water depth: 4-3/4" (121 mm)
- Drain hole: 1-3/4" (44 mm)
- Template: 87996-7, required, included

Notes

- Install this product according to the installation instructions.
- Product does not have an overflow.
- ADA, CSA B651 compliant when installed to the specific requirements of these regulations.