

### Features

- Includes hardware for vertical wall-mount installation.
- Coordinates with other Evandale products.

### Material

- Solid wood (refer to spec sheet for details).

### Recommended Products/Accessories

K-8998 P-Trap

K-2732 Vanity



### Codes/Standards

EPA TSCA Title VI

CARB P2

### KOHLER® One-Year Limited Warranty

See website for detailed warranty information.

### Available Colors/Finishes

*Color tiles intended for reference only.*

Color	Code	Description
-------	------	-------------



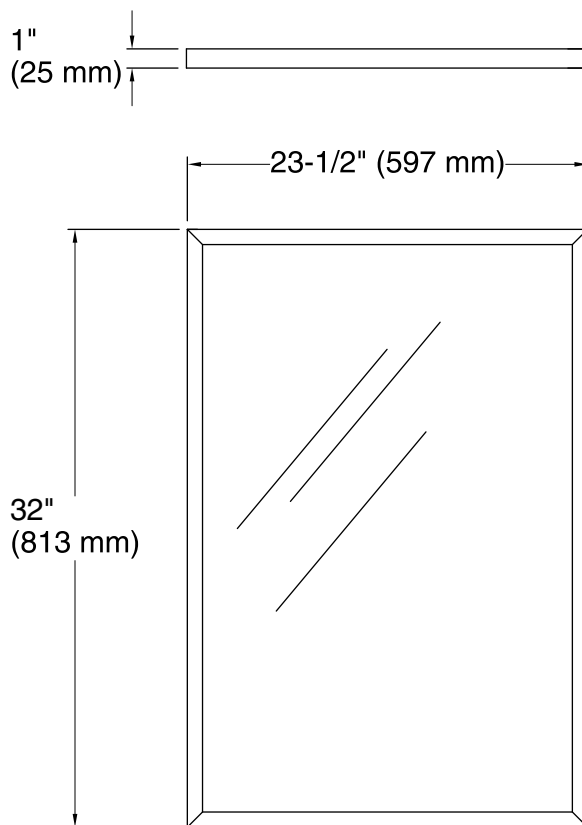
F44 Lily



F25 Sapele



F80 Cocoa



### Technical Information

All product dimensions are nominal.

### Notes

Install this product according to the installation guide.

Select the type of fastener based on the wall material. A minimum 20 lb (9.07 kg) load bearing fastener is recommended.

Install the fastener to a stud to avoid possible property and product damage.