

### Features

- Catalyzed polyurethane provides a durable moisture-resistant finish.
- Self-close, adjustable doors.
- Backsplash helps prevent water damage.
- Combination consists of vanity with stone top and Caxton under-mount sink.
- Coordinates with other Evandale products.

### Material

- Stone countertop.
- Solid wood and veneers (refer to spec sheet for details).

### Recommended Products/Accessories

K-8998 P-Trap

### Optional Products/Accessories

K-2746 Mirror



### Codes/Standards

EPA TSCA Title VI  
CARB P2




### KOHLER® One-Year Limited Warranty

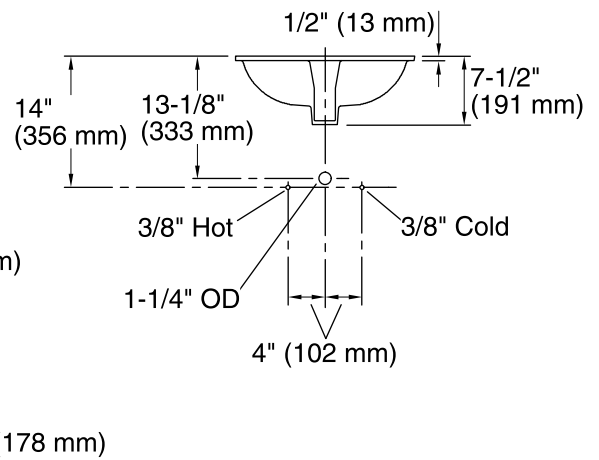
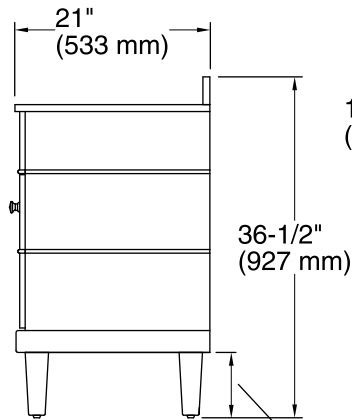
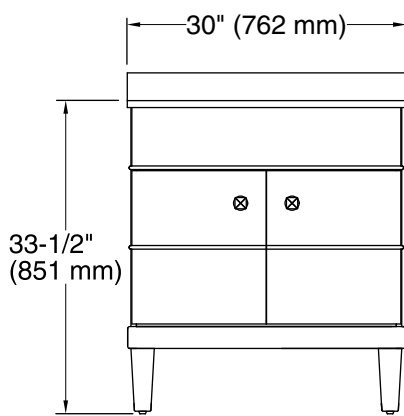
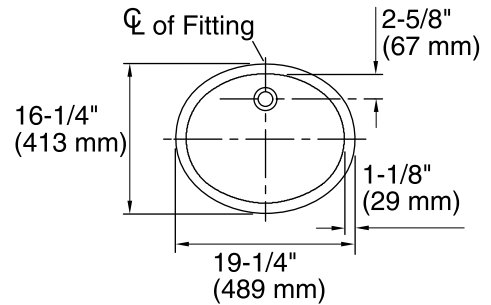
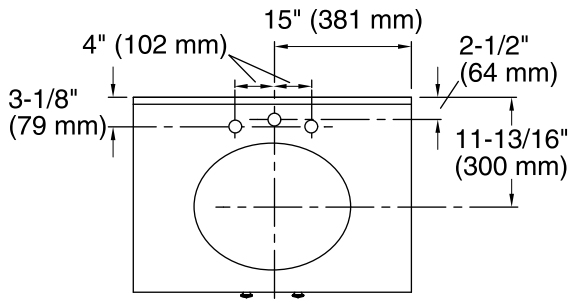
See website for detailed warranty information.

### Available Colors/Finishes

*Color tiles intended for reference only.*

Color	Code	Description
-------	------	-------------

	F44	Lily
	F25	Sapele
	F80	Cocoa



## Technical Information

All product dimensions are nominal.

## Notes

Install this product according to the installation guide.

Select the type of fastener based on the wall material. A minimum 500 lb (227 kg) load bearing fastener is recommended.