



Rhythm®
Under-mount Bathroom Sink
K-2602-SU

Features

- Oval basin with Satin finish.

Material

- Premium 20-gauge stainless steel.

Installation

- No faucet holes; requires wall- or counter-mount faucet.
- Undermount.

Recommended Products/Accessories

- K-7114 Pop-Up Drain
- K-7127 Drain
- K-7129 Drain
- K-8998 P-Trap
- K-23726 Drain treatment
- K-23729 Stainless steel cleaner

Included Components

- Additional Components:
- 1193643 Basin clamps
 - drain gasket
 - tube



ADA

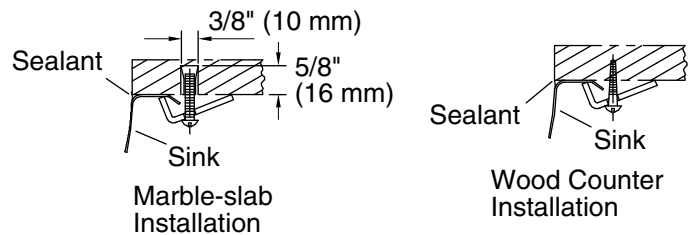
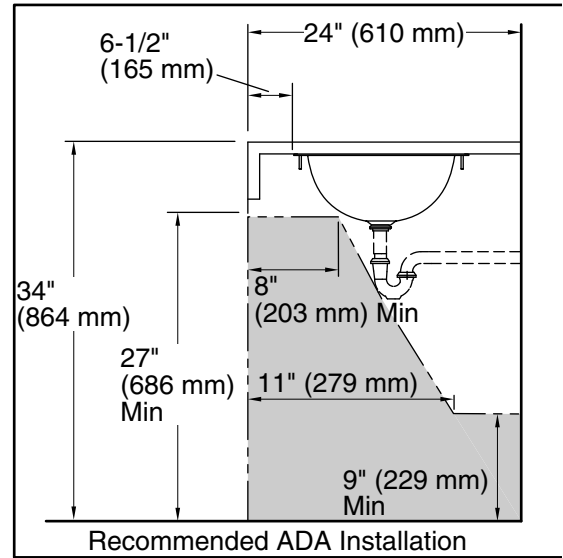
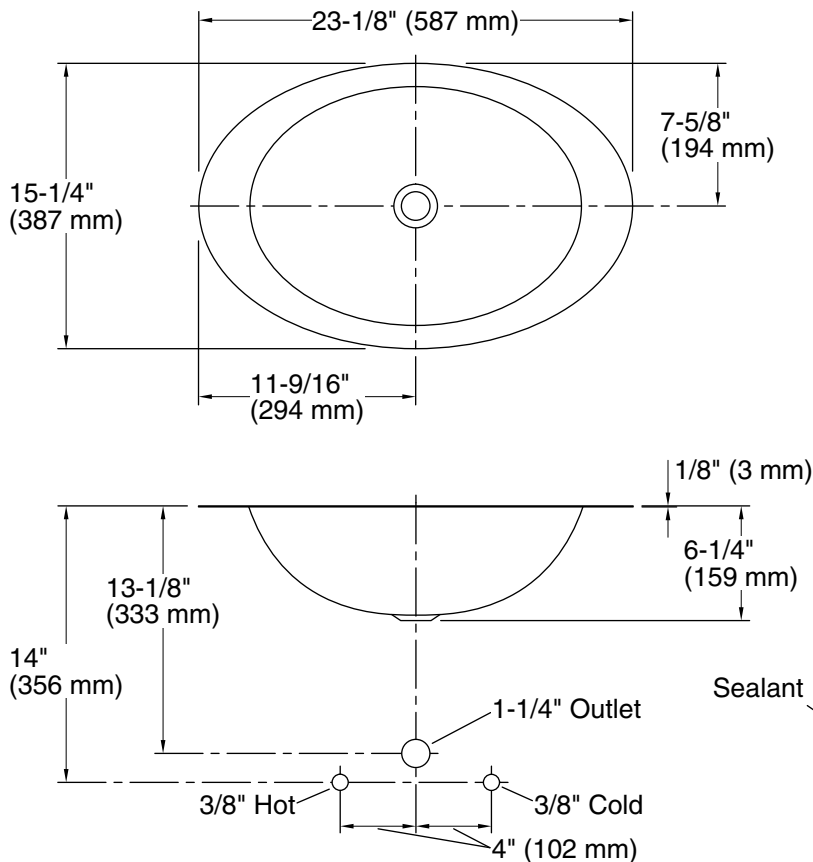
CSA B651

Codes/Standards

- ASME A112.19.3/CSA B45.4
- ADA
- ICC/ANSI A117.1
- CSA B651

**KOHLER® One-Year Limited
Warranty**

See website for detailed warranty information.



Technical Information

All product dimensions are nominal.

- Bowl configuration: Single
- Installation: Under-mount
- Bowl area (Only): Length: 18" (457 mm)
Width: 13" (330 mm)
Water depth: 5-7/8" (149 mm)
- Drain hole: 1-5/8" (41 mm)
- Template: 1000258-7, required, included

Notes

Install this product according to the installation instructions.

Supplied basin clamp assembly requires 3/4" (19 mm) minimum countertop thickness. Installer must supply anchors for thinner countertops.

NOTICE: Countertop manufacturer or cutter must use the cut-out template provided by Kohler Co. (call 1-800-4-KOHLER). Kohler Co. is not responsible for cut out errors when the incorrect cut out template is used.

Waterproof the unprotected overhang area of the underside of the wood counter.

ADA, CSA B651 compliant when installed to the specific requirements of these regulations.