

Features

- Catalyzed polyurethane provides a durable moisture-resistant finish.
- Includes hardware for wall-mount installation.
- Coordinates with Clermont vanities.

Material

- Ailanthus solids and quarter-sawn ash veneers.

Recommended Products/Accessories

K-2415 Vanity
K-2483 Vanity
K-2491 Vanity
K-2497 Vanity



Codes/Standards

EPA TSCA Title VI
CARB P2


KOHLER® One-Year Limited Warranty

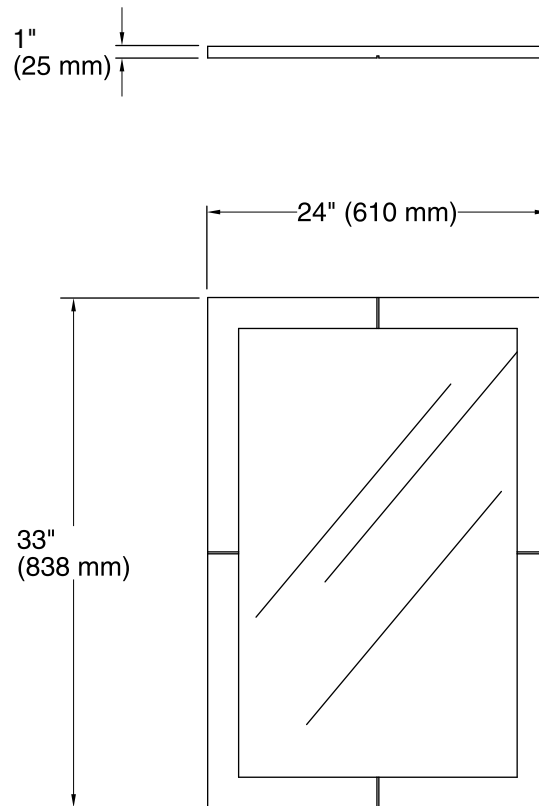
See website for detailed warranty information.

Available Colors/Finishes

Color tiles intended for reference only.

Color	Code	Description
-------	------	-------------

	F39	Oxford
--	-----	--------



Technical Information

All product dimensions are nominal.

Notes

Install this product according to the installation guide.

Select the type of fastener based on the wall material. A minimum 20 lb (9.07 kg) load bearing fastener is recommended.

Install the fastener to a stud to avoid possible property and product damage.