

Features

- Oval basin with unglazed underside.
- Overflow drain.
- No faucet holes; requires wall- or counter-mount faucet.
- Unglazed bottom of bowl

Material

- Vitreous china.

Installation

- Under-mount

Recommended Products/Accessories

K-8998 P-Trap

Included Components

Additional Components:

1193643 Basin Clamps



ADA

Codes/Standards

ASME A112.19.2/CSA B45.1

ADA











ICC/ANSI A117.1

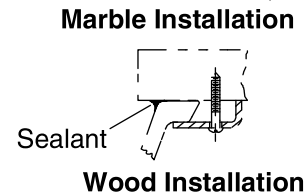
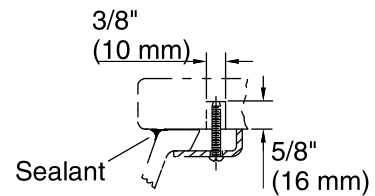
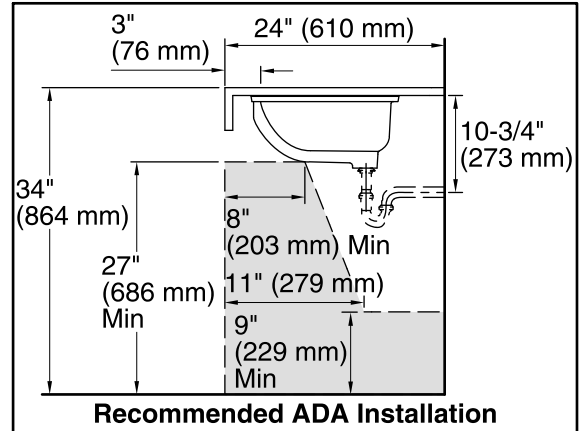
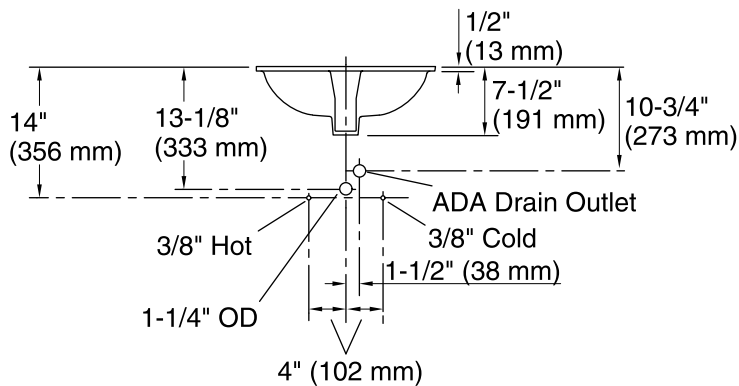
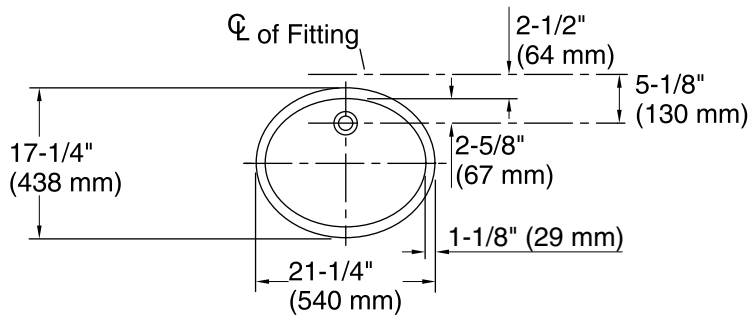
KOHLER® One-Year Limited Warranty

See website for detailed warranty information.

Available Colors/Finishes

Color tiles intended for reference only.

| Color | Code | Description |
|--|------|-----------------|
|  | 0 | White |
|  | 96 | Biscuit |
|  | 47 | Almond |
|  | NY | Dune |
|  | 55 | Innocent Blush™ |
|  | 95 | Ice™ Grey |
|  | G9 | Sandbar |
|  | K4 | Cashmere |
|  | 58 | Thunder™ Grey |
|  | 7 | Black Black™ |



Technical Information

All product dimensions are nominal.

| | |
|---------------|---|
| Installation: | Under-mount |
| Bowl area: | Length: 19" (483 mm) Width: 15" (381 mm) Water depth: 4" (102 mm) |
| Drain hole: | 1-3/4" (44 mm) |
| Template: | 1018997-7, required, not included |

Notes

Install this product according to the installation instructions.

NOTICE: Countertop manufacturer or cutter must use the current product template available at www.kohler.com, or by calling 1-800-4KOHLER. Kohler Co. is not responsible for cutout errors when the incorrect cutout template is used.

ADA compliant when installed to the specific requirements of these regulations.