

### Features

- Deep, circular basin detailed with a raised swirl pattern.
- No faucet holes; requires wall- or counter-mount faucet.
- Glazed underside offers beauty from all angles.

### Material

- Vitreous china.

### Installation

- Vessel
- Requires K-9655 Vessel bracket for wall-mount installation.

### Recommended Products/Accessories

K-7114 Pop-Up Drain  
K-7129 Drain  
K-9018 P-Trap  
K-9655 Wall-Mount Vessel Bracket

### Included Components

Additional Components:  
Adjustable linkage



ADA CSA B651 OBC

### Codes/Standards




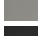


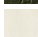


ASME A112.19.2/CSA B45.1  
ADA  
ICC/ANSI A117.1  
CSA B651  
OBC

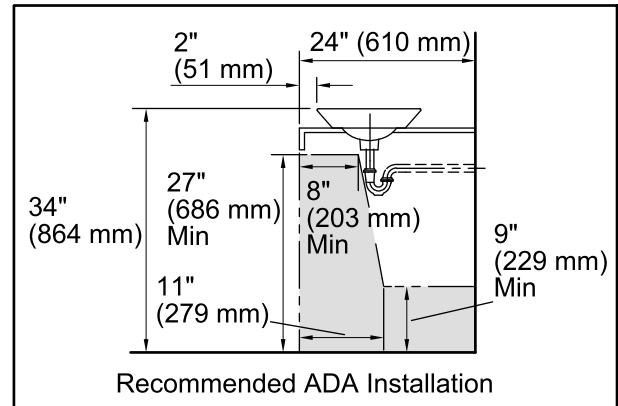
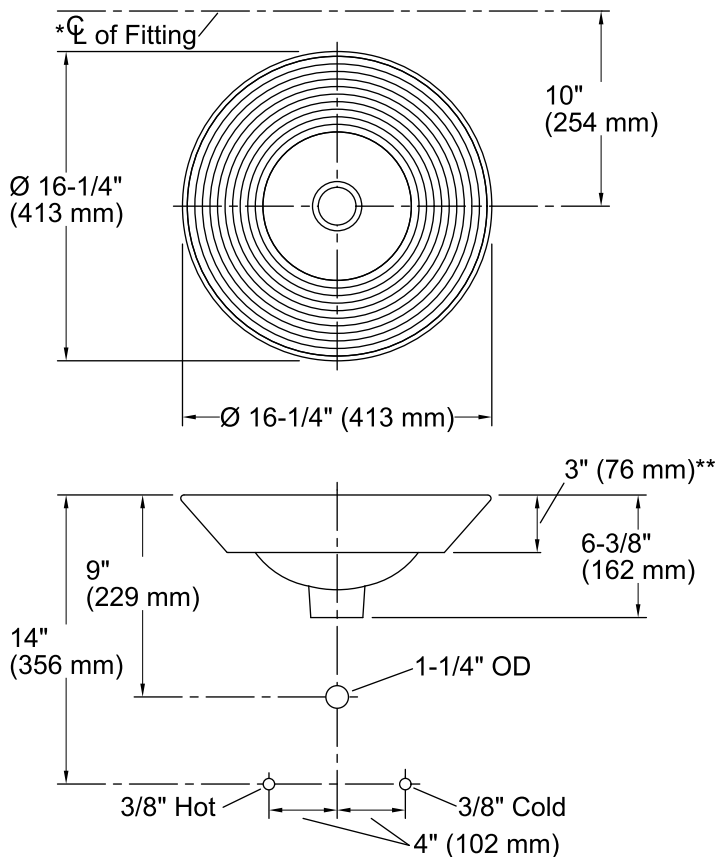
### KOHLER® One-Year Limited Warranty

See website for detailed warranty information.

### Available Colors/Finishes

*Color tiles intended for reference only.*

Color	Code	Description
	0	White
	47	Almond
	G9	Sandbar
	K4	Cashmere
	7	Black Black™
	C9	Cobalt Blue
	M3	Copper Verde
	S3	Stoneware
	V1	Clay



### Technical Information

All product dimensions are nominal.

Bowl configuration:	Single
Installation:	Vessel, Wall-mount
Bowl area (Only):	Diameter: 15-7/8" (403 mm) Water depth: 4-1/4" (108 mm)
Drain hole:	1-3/4" (44 mm)
Template:	1002980-7, required, included

### Notes

Install this product according to the installation instructions.

Product does not have an overflow.

Spout must be 5" (127 mm) long (min) for adequate clearance into the bathroom sink when installed with centerline as shown.

**NOTICE:** Countertop manufacturer or cutter must use the cut-out template provided with the product, or a current one provided by Kohler Co. (call 1-800-4-KOHLER). Kohler Co. is not responsible for cutout errors when the incorrect cut-out template is used.

ADA, OBC, CSA B651 compliant when installed to the specific requirements of these regulations.