

#### Features

- Single faucet hole.
- Oval basin.
- Overflow drain.
- Coordinates with other products in the Serif collection.

#### Material

- Vitreous china.

#### Installation

- Drop-in

#### Recommended Products/Accessories

K-8998 P-Trap



ADA CSA B651 OBC

#### Codes/Standards








ASME A112.19.2/CSA B45.1  
ADA  
ICC/ANSI A117.1  
CSA B651  
OBC

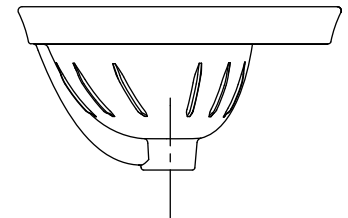
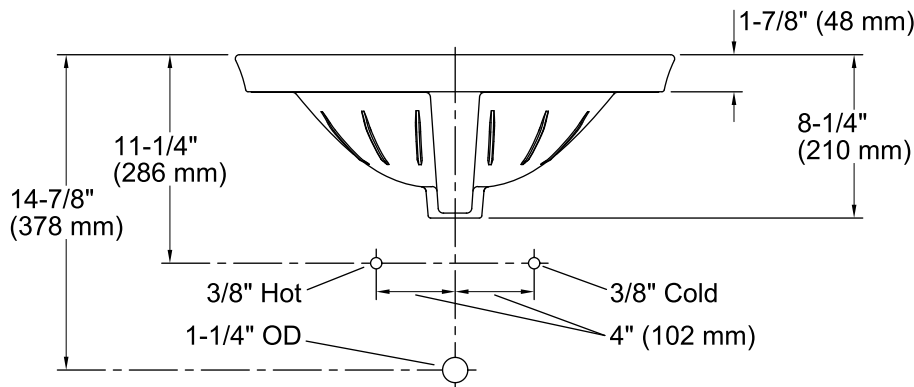
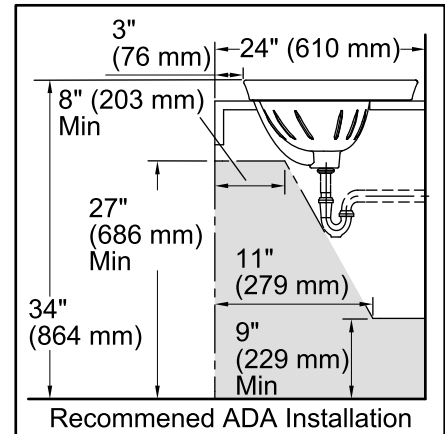
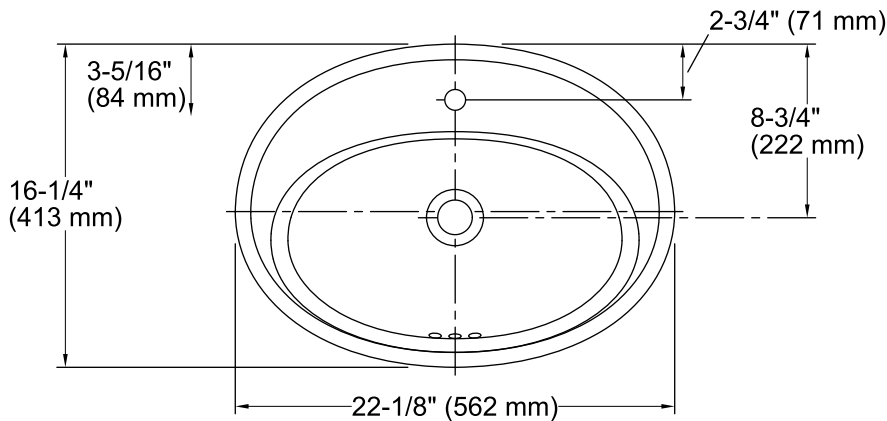
#### KOHLER® One-Year Limited Warranty

See website for detailed warranty information.

#### Available Colors/Finishes

*Color tiles intended for reference only.*

Color	Code	Description
	0	White
	96	Biscuit
	47	Almond
	NY	Dune
	95	Ice™ Grey
	G9	Sandbar
	7	Black Black™



## Technical Information

All product dimensions are nominal.

- Bowl configuration: Single  
 Installation: Drop-in  
 Bowl area (Only): Length: 16-7/8" (429 mm)  
 Width: 10-1/8" (257 mm)  
 Water depth: 4-7/8" (124 mm)  
 Number of deck holes: 1  
 Faucet hole(s): 1-3/8" (35 mm)  
 Drain hole: 1-3/4" (44 mm)  
 Template: 1014189-7, required, included

## Notes

Install this product according to the installation instructions.

**NOTICE:** Countertop manufacturer or cutter must use the cut-out template provided with the product, or a current one provided by Kohler Co. (call 1-800-4-KOHLER). Kohler Co. is not responsible for cutout errors when the incorrect cut-out template is used.

ADA, OBC, CSA B651 compliant when installed to the specific requirements of these regulations.