

Features

- Made from premium materials that withstand high-volume usage.
- 20"L x 18-1/4"W.
- Faucet not included.
- Ledge-back.
- Includes soap dispenser drilling on right.

Material

- Vitreous china.

Installation

- Wall-mount.

Recommended Products/Accessories

- K-23726 Drain treatment
- K-23725 Cast iron cleaner

Optional Products/Accessories

- K-8998 P-Trap

Included Components

- Additional Components:
 - Hanger(s)



ADA CSA B651

Codes/Standards

ASME A112.19.2/CSA B45.1
ADA
ICC/ANSI A117.1
CSA B651


KOHLER® One-Year Limited Warranty

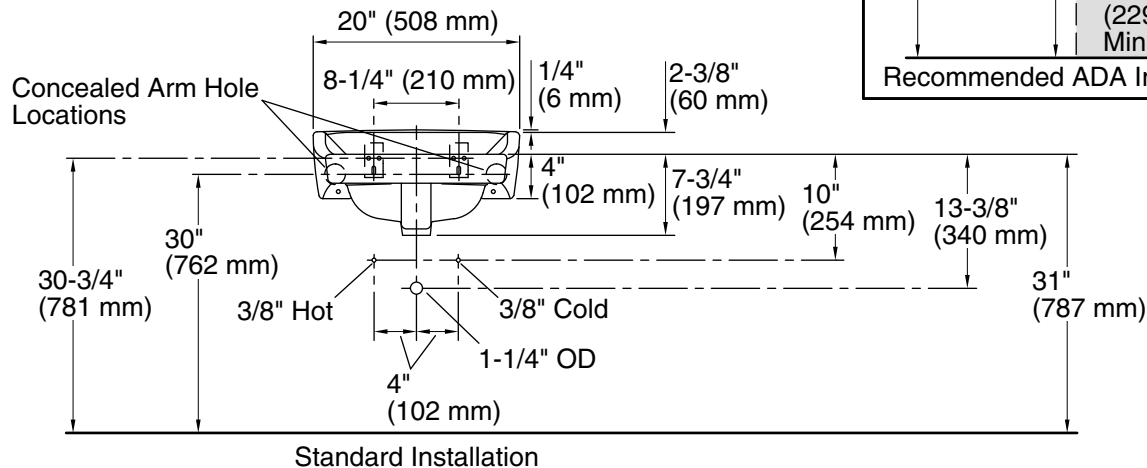
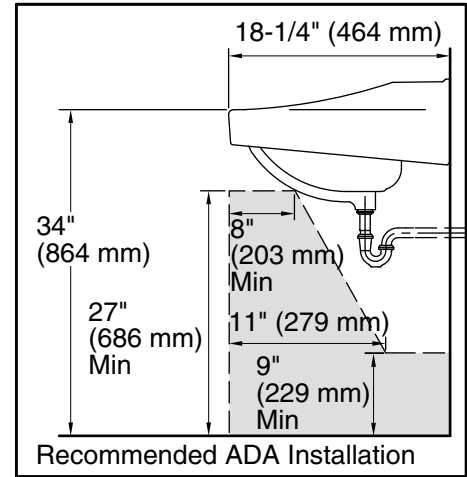
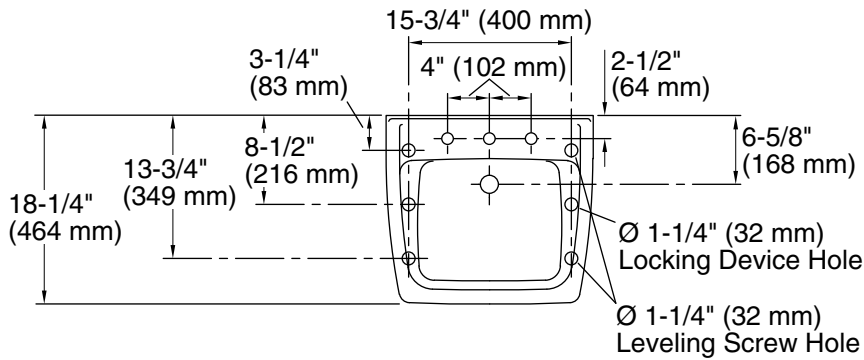
See website for detailed warranty information.

Available Colors/Finishes

Color tiles intended for reference only.

Color	Code	Description
-------	------	-------------

	0	White
---	---	-------



Technical Information

All product dimensions are nominal.

Bowl configuration:	Single
Installation:	Wall-mount
Bowl area (Only):	Length: 14" (356 mm) Width: 12" (305 mm) With overflow: Yes Water depth: 4-7/8" (124 mm)
With overflow:	Yes
Number of deck holes:	3
Faucet hole spacing:	8" (203 mm)
Faucet hole(s):	1-3/8" (35 mm)
Drain hole:	1-3/4" (44 mm)

Notes

Install this product according to the installation instructions.

ADA, CSA B651 compliant when installed to the specific requirements of these regulations.