

Features

- Reversible quarter-turn washerless ceramic disc valves.
- Ceramic disc valves exceed industry longevity standards, ensuring durable performance for life.
- High-arch swing spout offers superior clearance for filling pots and cleaning.
- Two lever handles offer separate control of hot and cold water.
- 9" (229 mm) swing spout reach.
- For 8" (203 mm) centers
- Matching finish sidespray.
- 1.8 gal/min (6.8l/min) maximum flow rate [max at 60 psi (4.14 bar)].
- Meets CalGreen requirements for kitchen faucets.

Material

- Premium metal construction.
- KOHLER finishes resist corrosion and tarnishing.

Installation

- Four-hole installation.
- Requires K-15850-4M lever handles (sold separately)
- Lower flow aerator options are available (refer to the Kohler Price Book).

Required Products/Accessories

K-15850-4M Decorative Lever Handles

Optional Products/Accessories

1030920 Side Spray Deep Rough-In



CSA B651

Codes/Standards

ASME A112.18.1/CSA B125.1
NSF/ANSI 61
NSF/ANSI 372
All applicable US Federal and State material regulations
DOE - Energy Policy Act 1992
California Energy Commission (CEC)
ICC/ANSI A117.1
CSA B651

KOHLER® Faucet Lifetime Limited Warranty

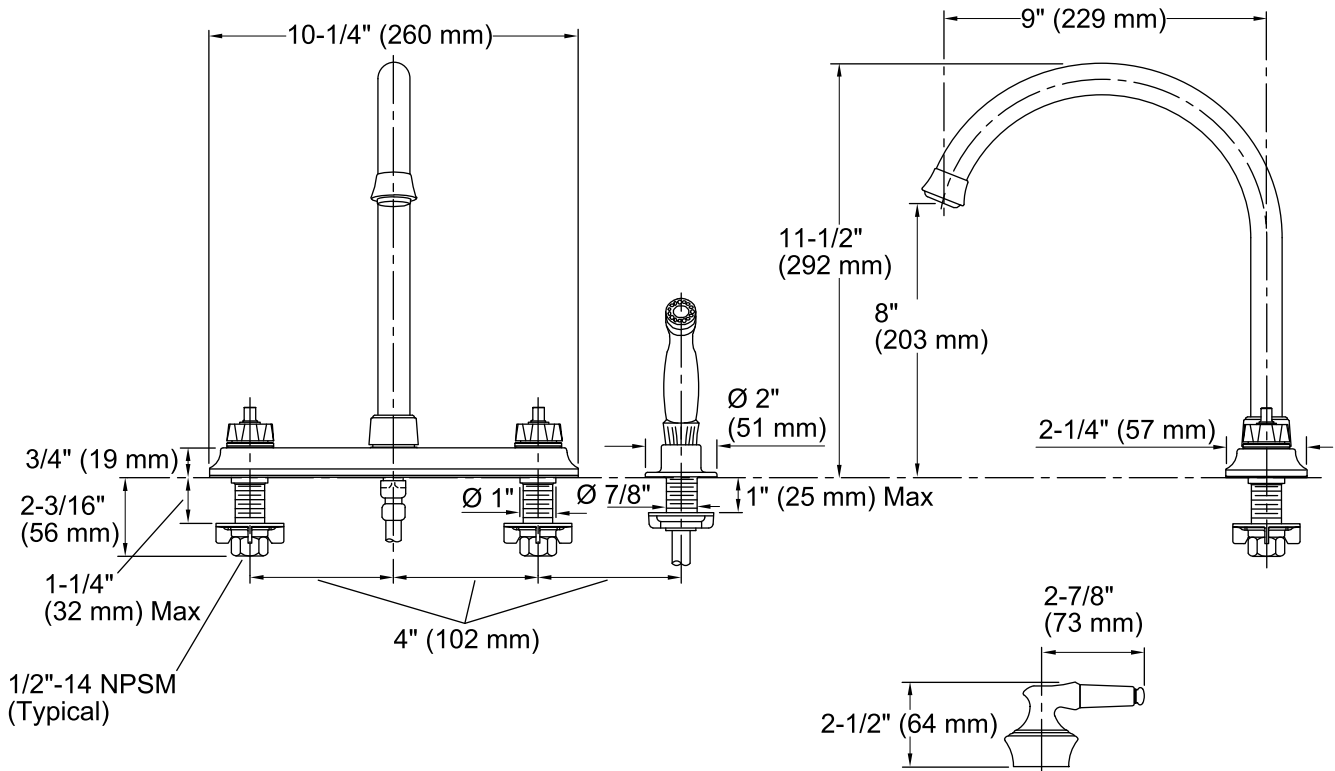
See website for detailed warranty information.

Available Colors/Finishes

Color tiles intended for reference only.

Color Code Description

■ CP Polished Chrome



Technical Information

All product dimensions are nominal.

Faucet:

Flow rate: 1.8 gal/min (6.8 l/min)

Pressure: 60 psi (4.1 bar)

Spout:

Spout reach: 9" (229 mm)

Notes

Install this product according to the installation guide.

CSA B651 compliant when installed to the specific requirements of these regulations.