

### Features

- Metal construction.
- For 4" (102 mm) centers.
- 4-7/16" (112 mm) spout reach.
- Plastic pop-up drain with lift rod and tailpiece.
- Stationary spout.
- Red/blue indexing.
- Complements the Coralais Suite.
- 1.2 gal/min (4.5 l/min) maximum flow rate [max at 60 psi (4.14 bar)].

### Optional Products/Accessories

1160594 .35 gpm Aerator, Large



ADA CSA B651 OBC

### Codes/Standards

ASME A112.18.1/CSA B125.1

NSF/ANSI 61

NSF/ANSI 372

All applicable US Federal and State material regulations

DOE - Energy Policy Act 1992

EPA WaterSense®

California Energy Commission (CEC)

ADA

ICC/ANSI A117.1

CSA B651

OBC

### KOHLER® Faucet Lifetime Limited Warranty

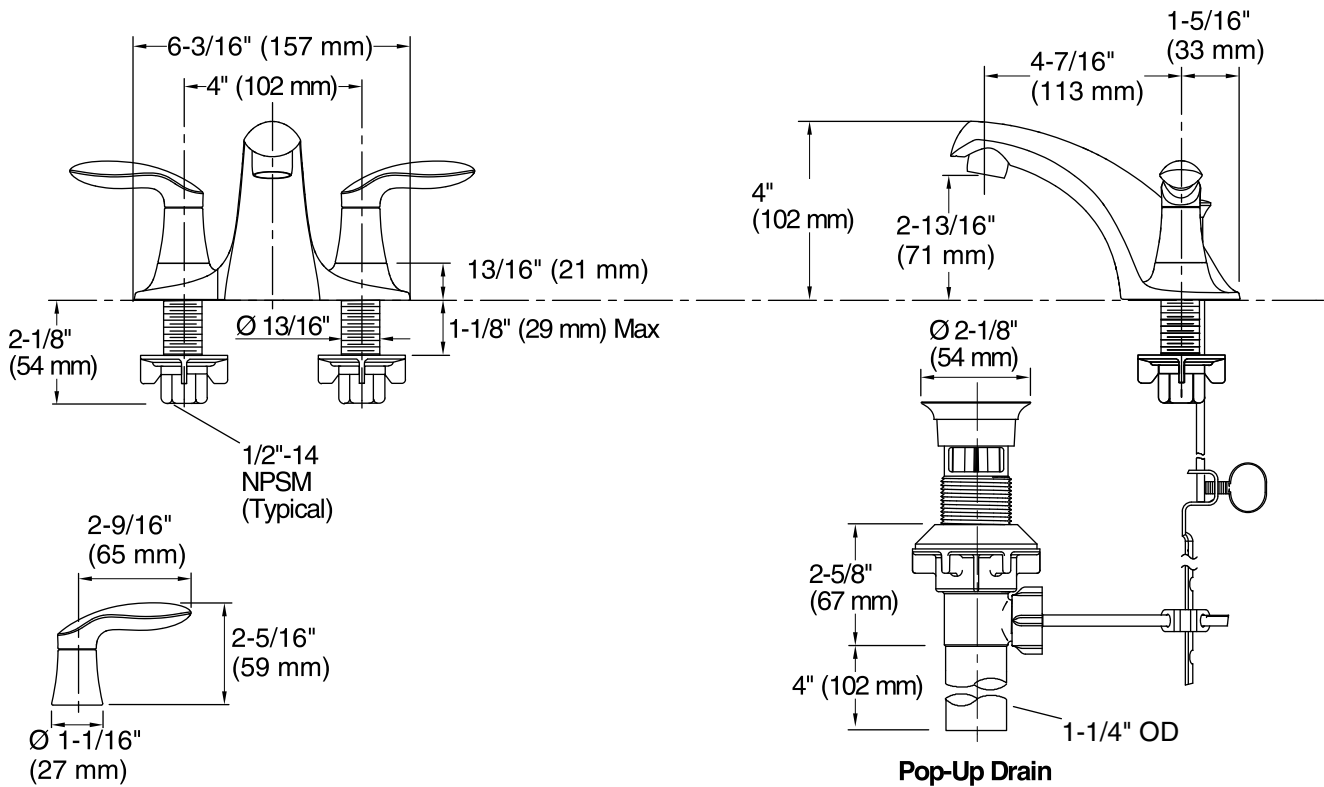
See website for detailed warranty information.

### Available Colors/Finishes

*Color tiles intended for reference only.*

#### Color Code Description

|  |    |                 |
|--|----|-----------------|
|  | CP | Polished Chrome |
|  | G  | Brushed Chrome  |



### Technical Information

All product dimensions are nominal.

#### Faucet:

|                           |                         |
|---------------------------|-------------------------|
| Flow rate:                | 1.2 gal/min (4.5 l/min) |
| Pressure:                 | 60 psi (4.1 bar)        |
| Valve body:               | Machined-brass          |
| Drain with overflow:      | Yes                     |
| Drain tailpiece included: | Yes                     |

#### Spout:

|                   |                  |
|-------------------|------------------|
| Spout reach:      | 4-7/16" (112 mm) |
| Handle clearance: | 2-9/16" (65 mm)  |

### Notes

Install this product according to the installation guide.

ADA, OBC, CSA B651 compliant when installed to the specific requirements of these regulations.