

### Features

- Premium metal construction for durability.
- KOHLER finishes resist corrosion and tarnish.

### Installation

- Tools and installation template included.

### Included Components

Additional Components:

Installation hardware



ADA

### Codes/Standards

ADA

ICC/ANSI A117.1

### KOHLER® Faucet Lifetime Limited Warranty

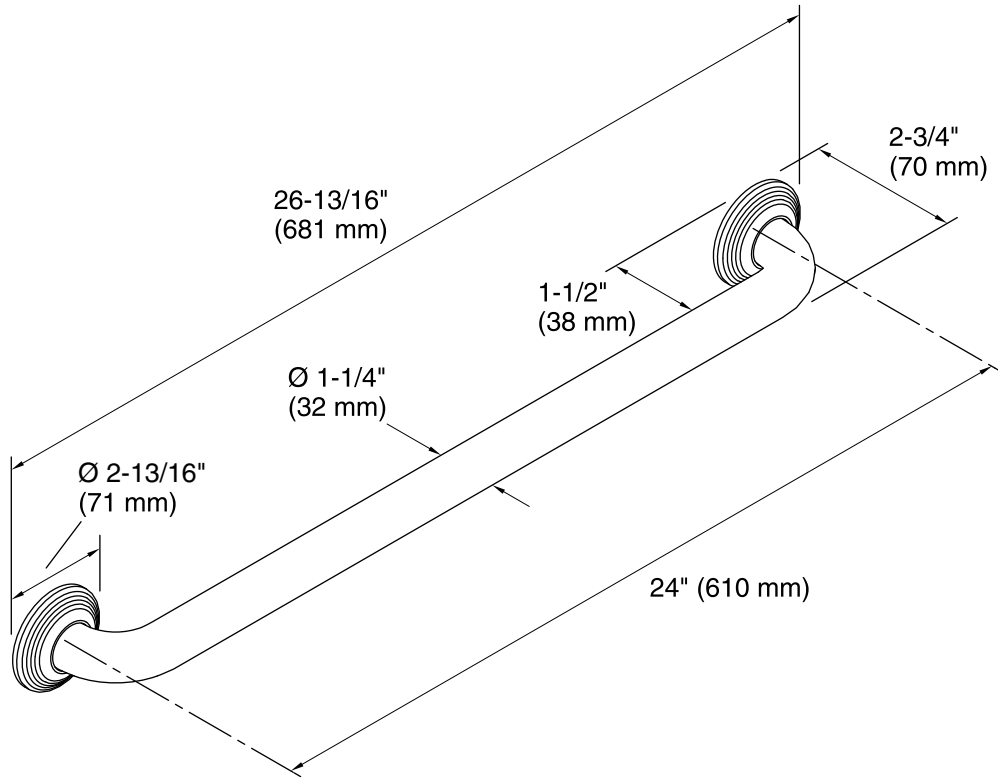
See website for detailed warranty information.

### Available Colors/Finishes

*Color tiles intended for reference only.*

Color	Code	Description
-------	------	-------------

	S	Polished Stainless
	SN	Vibrant® Polished Nickel
	BN	Vibrant® Brushed Nickel
	BS	Brushed Stainless
	TT	Titanium



### Technical Information

All product dimensions are nominal.

### Notes

Measure your actual product for roughing-in details.

**WARNING:** Risk of personal injury. The wall plates on the grab bar must be mounted to a brace between the wall studs. This will ensure that the weight of the user is adequately supported.

ADA compliant when installed to the specific requirements of these regulations.