



Water's Grove™ Conical Bell®

Above-counter/Wall-mount Bathroom Sink
K-14222-WG

Features

- Decorated with a subtly textured floral pattern.
- Round bowl-like basin.
- No faucet holes; requires wall- or counter-mount faucet.

Material

- Vitreous china.

Installation

- Drop-in or wall-mount.
- Requires K-9655 Vessel bracket for wall-mount installation.

Recommended Products/Accessories

K-7114 Pop-Up Drain
K-7129 Drain
K-9018 P-Trap
K-9655 Wall-Mount Vessel Bracket

Included Components

Additional Components:
Adjustable linkage



ADA CSA B651

Codes/Standards





ASME A112.19.2/CSA B45.1
ADA
ICC/ANSI A117.1
CSA B651

KOHLER® One-Year Limited Warranty

See website for detailed warranty information.

Available Colors/Finishes

Color tiles intended for reference only.

Color	Code	Description
	0	White
	W2	Earthen White
	K5	Translucent Cashmere
	V9	Sage

1-800-4KOHLER (1-800-456-4537)

Kohler Co. reserves the right to make revisions without notice to product specifications.

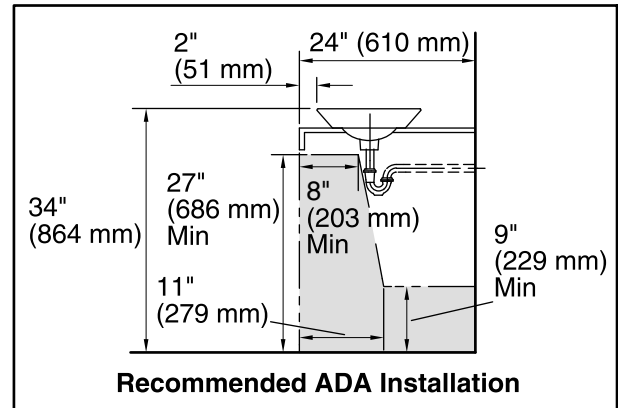
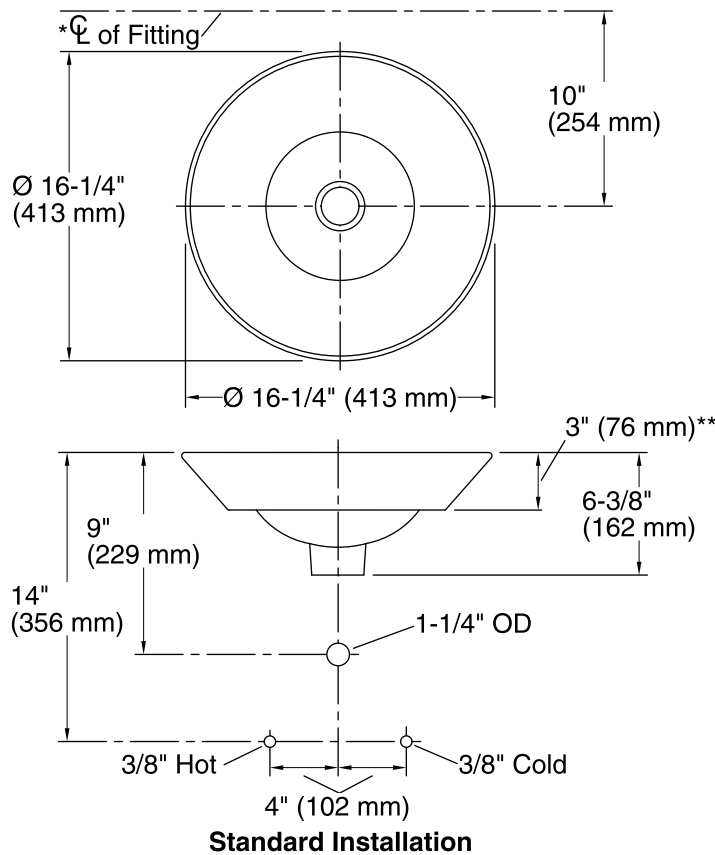
For the most current Specification Sheet, go to www.kohler.com.

4-25-2019 18:18 - US/CA

THE BOLD LOOK
OF **KOHLER**®



Water's Grove™ Conical Bell®
 Above-counter/Wall-mount Bathroom Sink
K-14222-WG



Technical Information

- All product dimensions are nominal.
- Bowl configuration: Single
- Installation: Wall-mount, Vessel
- Bowl area (Only): Diameter: 15-7/8" (403 mm)
Water depth: 4-1/4" (108 mm)
- Drain hole: 1-3/4" (44 mm)
- Template: 1002980-7, required, included

Notes

- Install this product according to the installation instructions.
- *Spout must be 5" (127 mm) long (min) for adequate clearance into the bathroom sink when installed with centerline as shown.
- NOTICE: Countertop manufacturer or cutter must use the cut-out template provided with the product, or a current one provided by Kohler Co. (call 1-800-4-KOHLER). Kohler Co. is not responsible for cut-out errors when the incorrect cut-out template is used. zaa56123
- ADA, CSA B651 compliant when installed to the specific requirements of these regulations.