



**Kelston®**  
Toilet Tissue Holder  
**K-13504**

**Features**

- Pivoting holder makes changing toilet tissue quick and simple.
- Premium metal construction for durability.
- KOHLER finishes resist corrosion and tarnish.
- Coordinates with other products in the Kelston Collection.

**Installation**

- Tools and installation template included.

**Included Components**

Additional Components:  
Installation hardware



**Codes/Standards**




None Applicable

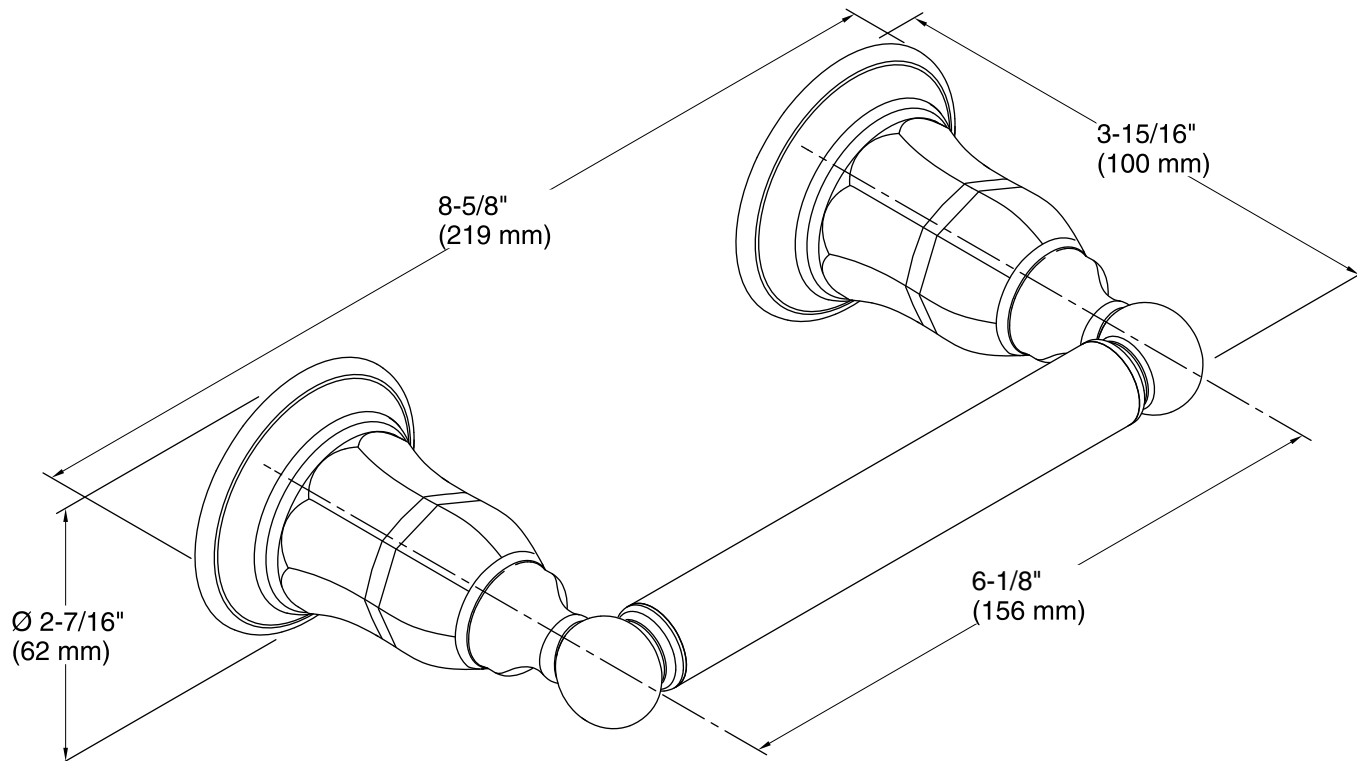
**KOHLER® Faucet Lifetime Limited  
Warranty**

See website for detailed warranty information.

**Available Colors/Finishes**

*Color tiles intended for reference only.*

Color	Code	Description
	CP	Polished Chrome
	BN	Vibrant® Brushed Nickel
	2BZ	Oil-Rubbed Bronze



## Technical Information

All product dimensions are nominal.

## Notes

Install this product according to the installation guide.

**CAUTION:** Risk of personal injury. Do not install these products in any area where they are likely to be used inadvertently as a grab bar or support bar. These products are not designed or intended for use as a grab bar or support bar.