

Features

- Premium metal construction for durability.
- KOHLER finishes resist corrosion and tarnish.
- Coordinates with Coralais faucets and accessories.

Installation

- Tools and installation template included.

Included Components

Additional Components:
Installation hardware



ADA CSA B651 OBC

Codes/Standards




ADA
ICC/ANSI A117.1
CSA B651
OBC

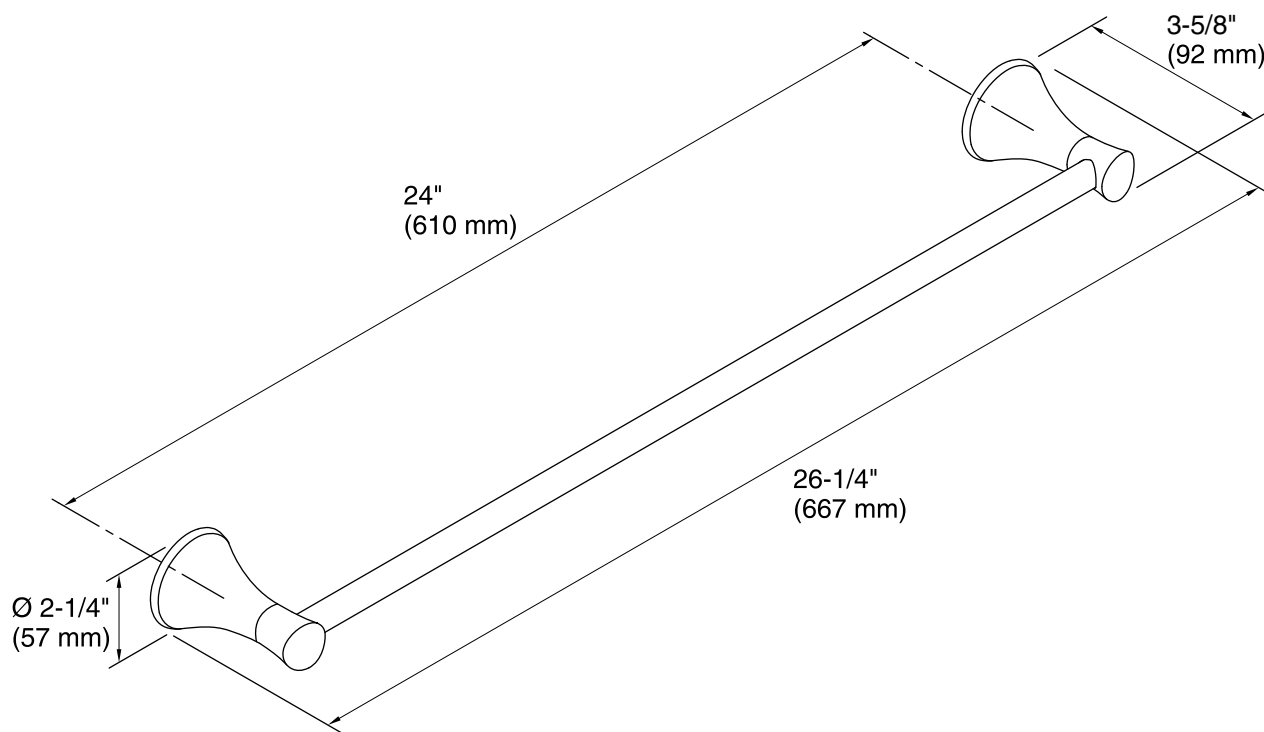
KOHLER® Faucet Lifetime Limited Warranty

See website for detailed warranty information.

Available Colors/Finishes

Color tiles intended for reference only.

Color	Code	Description
	CP	Polished Chrome
	G	Brushed Chrome
	BN	Vibrant® Brushed Nickel



Technical Information

All product dimensions are nominal.

Notes

Install this product according to the installation guide.

CAUTION: Risk of personal injury. Do not install these products in any area where they are likely to be used inadvertently as a grab bar or support bar. These products are not designed or intended for use as a grab bar or support bar.

ADA, OBC, CSA B651 compliant when installed to the specific requirements of these regulations.