

### Features

- Flexible connections for easy installation.
- Pop-up drain with lift rod and tailpiece.
- Vertical spray.
- Fixture-mount transfer valve/vacuum breaker.
- Available with grooved cross handles.
- Quarter-turn washerless ceramic disc valves.

### Material

- Metal construction.
- Brass valve bodies.



### Codes/Standards

ASME A112.18.1/CSA B125.1  
ASSE 1001

### KOHLER® Faucet Lifetime Limited Warranty

See website for detailed warranty information.

### Available Colors/Finishes

*Color tiles intended for reference only.*

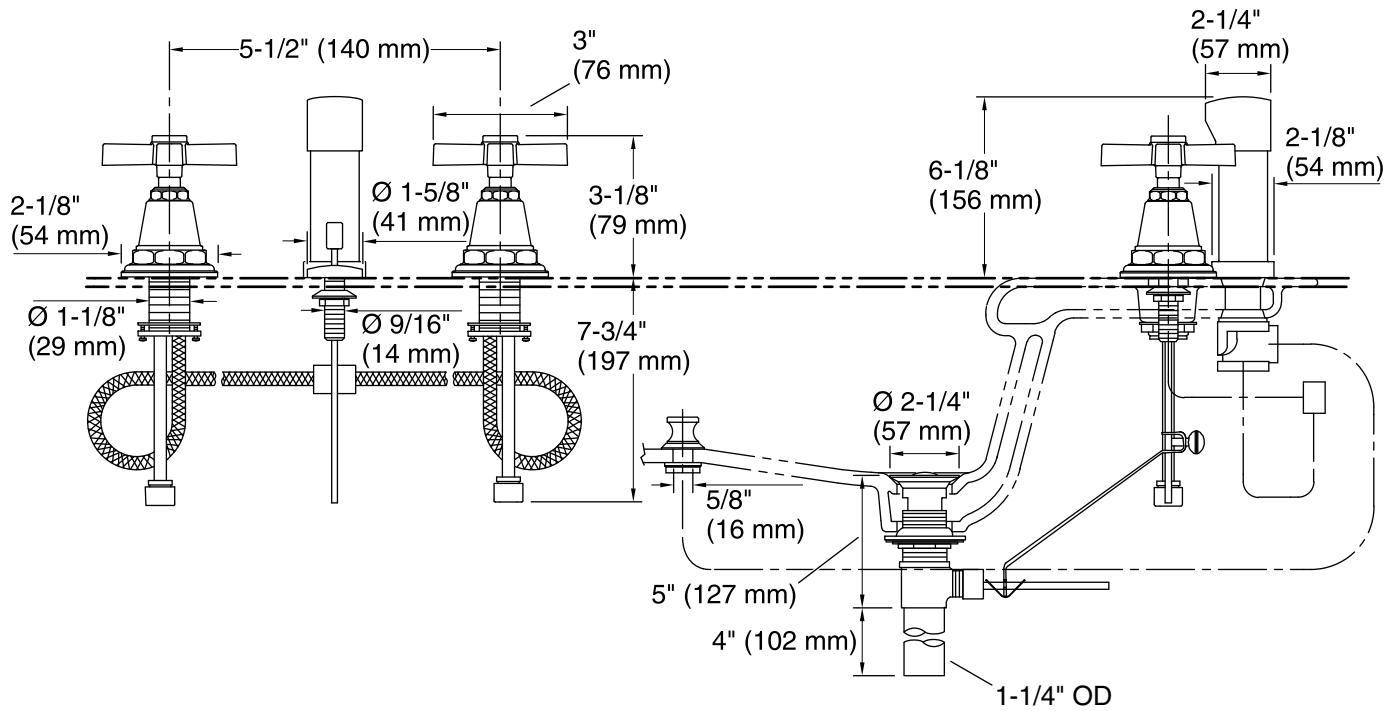
Color	Code	Description
-------	------	-------------



CP	Polished Chrome
----	-----------------



SN	Vibrant® Polished Nickel
----	--------------------------



## Technical Information

All product dimensions are nominal.

## Notes

Install this product according to the installation instructions.