



## Features

- Spacious design accommodates up to two bathers.
- Corner layout minimizes footprint without compromising bathing area.
- Molded lumbar support and armrests offer extra comfort while bathing.
- Integral flange helps prevent water from seeping behind wall and simplifies alcove installation.
- Integral faucet deck.

## Material

- Acrylic

## Installation

- Corner alcove.

## Additional Hydrotherapy Options

- Soaking Bath - 1155-F
- Whirlpool - 1154-F
- Whirlpool + heater - 1154-FH

## Recommended Products/Accessories

K-1491 Bath/Whirlpool Pillow  
K-1601 Bath/Whirlpool Footstop  
K-7213 27" Cable Bath Drain  
K-7214 27" Cable Bath Drain  
K-11677 Bath Drain  
K-24916 Wireless Music Kit  
K-7259 Clearflo Bath Drain



## Codes/Standards

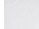


CSA B45.5/IAPMO Z124  
Greenguard UL 2818 - Gold

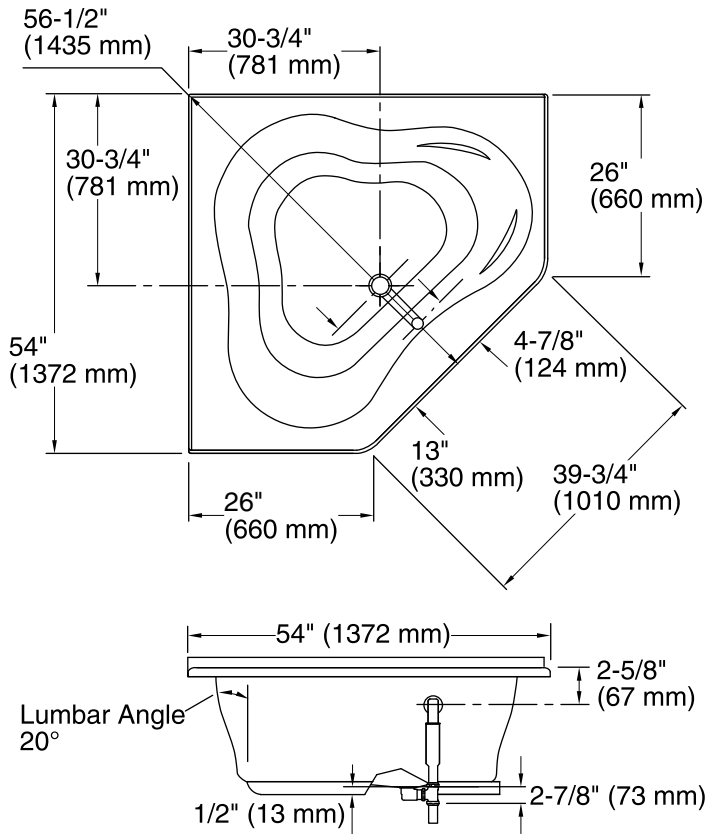
## KOHLER® Plastic Baths and Receptors Lifetime Limited Warranty

See website for detailed warranty information.

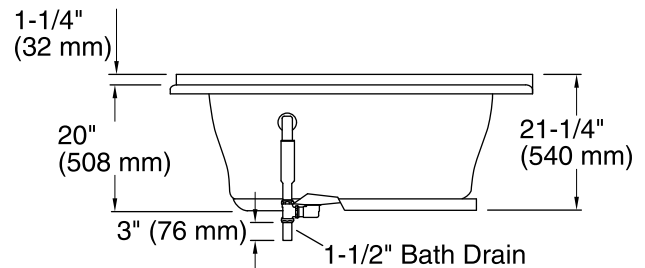
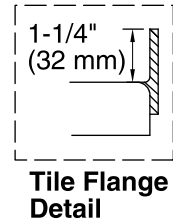
## Available Colors/Finishes

*Color tiles intended for reference only.*

Color	Code	Description
	0	White
	96	Biscuit
	47	Almond



No change in measurements if connected with drain illustrated. (K-11677)



## Technical Information

All product dimensions are nominal.

Installation:	Corner
Drain location:	Center
Basin area, bottom:	44" x 36" (1118 mm x 914 mm)
Basin area, top:	56" x 43" (1422 mm x 1092 mm)
Weight:	51 lbs (23.1 kg)
Minimum floor load:	35 lbs/ft <sup>2</sup> (170.9 kg/m <sup>2</sup> )
Water depth:	15" (381 mm)
Water capacity:	76 gal (287.7 L)

## Notes

Measure your actual product for rough-in details. Install this product according to the installation instructions.

The hot water supply should be 70% of the capacity of the bath or greater. Installations will vary.