



Features

- Single-speed whirlpool offers performance and value, with 6 fully adjustable jets.
- Hydromassage flow and direction can be controlled at each jet.
- Generous 6-foot oval basin provides an incredibly spacious bathing area for up to two people.
- Molded lumbar support and armrests offer extra comfort while bathing.
- Reversible drain.

Material

- Acrylic

Hydrotherapy

- Whirlpool

Installation

- Drop-in

Additional Hydrotherapy Options

- Soaking Bath - 1149-0
- Whirlpool - 1148-0
- Whirlpool + heater - 1148-H

Recommended Products/Accessories

- K-7213 27" Cable Bath Drain
- K-7214 27" Cable Bath Drain
- K-11677 Bath Drain
- K-24916 Wireless Music Kit
- K-1491 Bath/Whirlpool Pillow
- K-1601 Bath/Whirlpool Footstop
- K-7259 Clearflo Bath Drain



Codes/Standards

ASME A112.19.7/CSA B45.10
CSA B45.5/IAPMO Z124
UL 1795
Greenguard UL 2818 - Gold




**KOHLER® Plastic Baths and Receptors
Lifetime Limited Warranty**
**KOHLER® Hydrotherapy Components
Five-Year Limited Warranty**

See website for detailed warranty information.

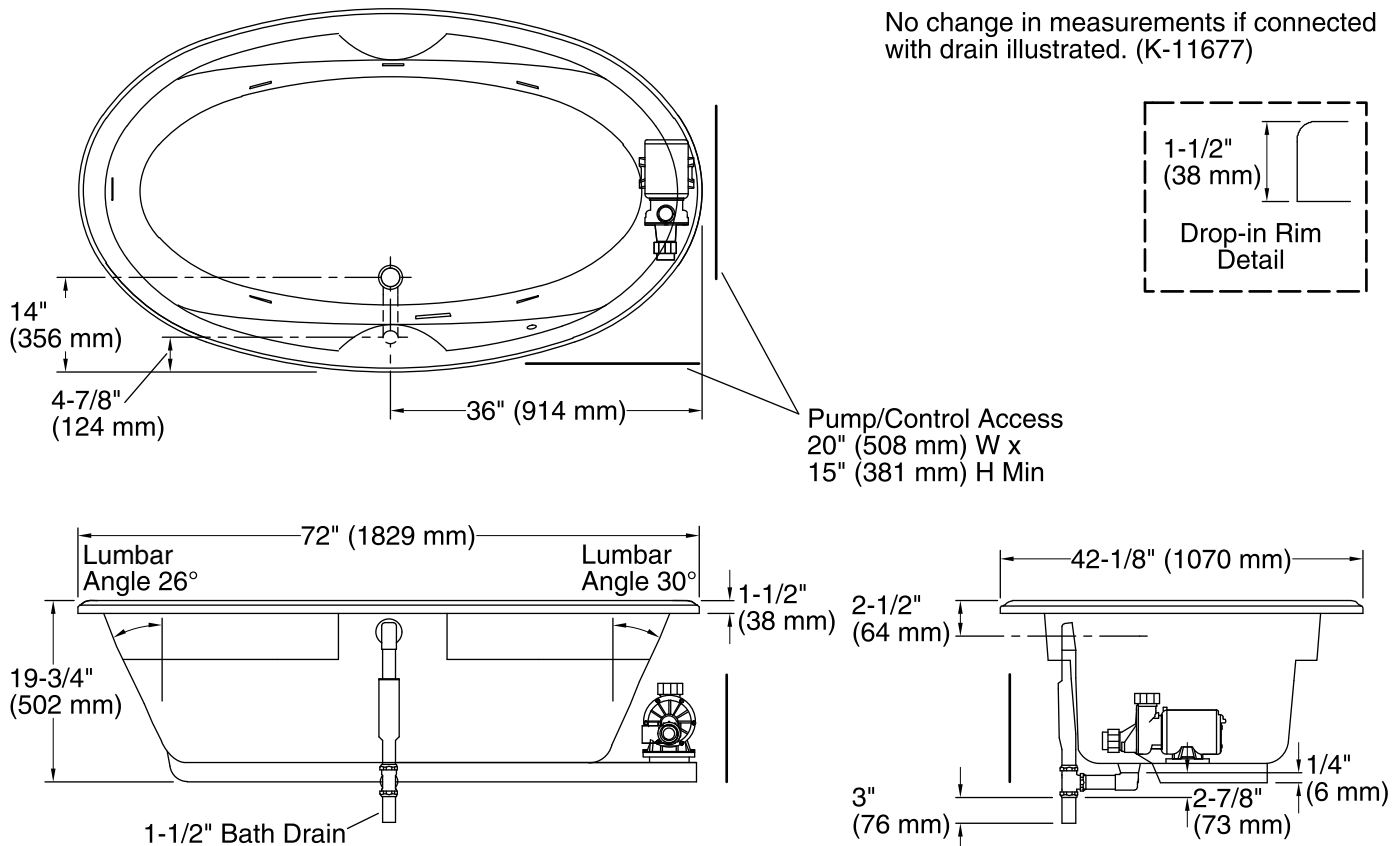
Available Colors/Finishes

Color tiles intended for reference only.

Color Code Description

	0	White
	96	Biscuit
	47	Almond

No change in measurements if connected with drain illustrated. (K-11677)



Required Electrical Service

One dedicated circuit required, protected with Class A Ground-Fault Circuit-Interrupter (GFCI). Outside North America, this device may be known as a Residual Current Device (RCD).

Pump: 120 V, 15 A, 60 Hz

Technical Information

All product dimensions are nominal.

Installation:	Drop-in
Drain location:	Center
Basin area, bottom:	53" x 26" (1346 mm x 660 mm)
Basin area, top:	65" x 34" (1651 mm x 864 mm)
Weight:	74 lbs (33.6 kg)
Minimum floor load:	36 lbs/ft ² (175.8 kg/m ²)
Water depth:	15" (381 mm)
Water capacity:	78 gal (295.3 L)
Template:	Drop-in, 114861-7, required, included
Electrical component rating:	Pump: 120 V, 7.5 A, 60 Hz
Pump speed:	Single

Notes

Measure your actual product for rough-in details. Install this product according to the installation instructions.

The hot water supply should be 70% of the capacity of the bath or greater. Installations will vary.