

Features

- MasterClean® sprayface is easy to clean.
- Advanced spray engine with easy-grip sprayface and four distinct sprays: wide coverage, massage, soft aerated, and reduced-flow.
- 2.5 gpm (gallons per minute) flow rate.
- Bracket or sidebar required for wall-mount installation.
- Deck-mount holder required for deck-mount installation.
- Shower hose sold separately.
- Coordinates with Forté faucets and accessories.
- 4-11/16" (119 mm) x 4-3/4" (121 mm) x 11-15/16" (303 mm)

Material

- Premium metal construction.
- KOHLER finishes resist corrosion and tarnishing.

Installation

- Wall- or deck-mount installation.

Recommended Replacements

- This product is replaced by 22165.

Required Products/Accessories

K-9514 60" Shower Hose

or

K-8593 72" Shower Hose



ADA

CSA B651

OBC

Codes/Standards






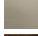

ASME A112.18.1/CSA B125.1
DOE - Energy Policy Act 1992
ADA
ICC/ANSI A117.1
CSA B651
OBC

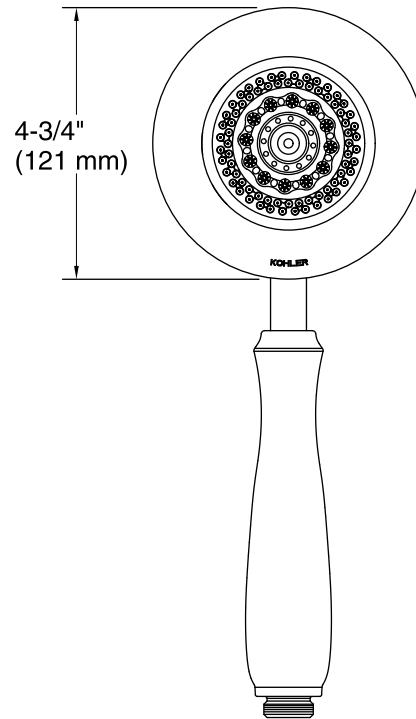
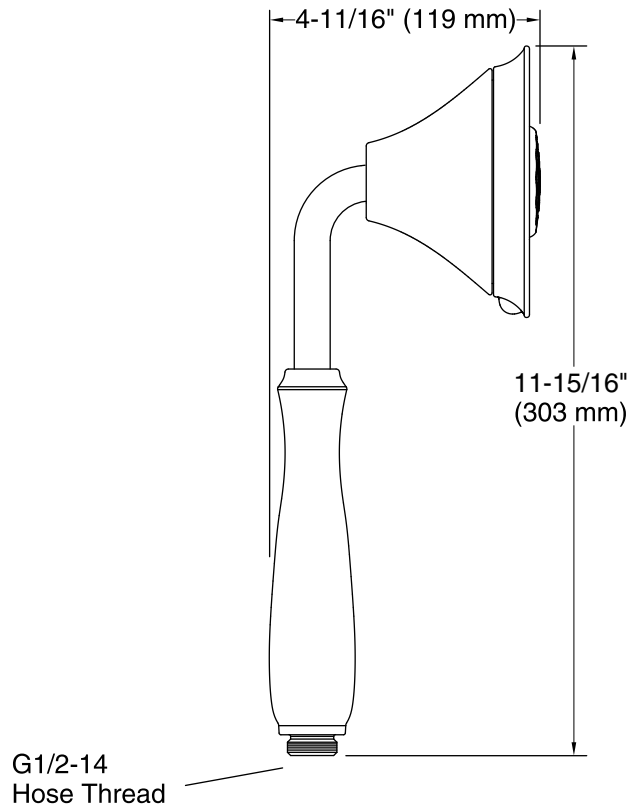
KOHLER® Faucet Lifetime Limited Warranty

See website for detailed warranty information.

Available Colors/Finishes

Color tiles intended for reference only.

Color	Code	Description
	CP	Polished Chrome
	SN	Vibrant® Polished Nickel
	AF	Vibrant® French Gold
	PB	Vibrant® Polished Brass
	G	Brushed Chrome
	BN	Vibrant® Brushed Nickel
	BV	Vibrant® Brushed Bronze
	2BZ	Oil-Rubbed Bronze



Technical Information

All product dimensions are nominal.

Drain included: No

Notes

Install this product according to the installation guide.

Plumbing codes require an atmospheric vacuum breaker (such as Kohler Model K-9660) be installed in-line with handshowers. Please consult with local plumbing officials.

ADA, OBC, CSA B651 compliant when installed to the specific requirements of these regulations.