

Features

- Brass construction.
- Brass valve bodies.
- Cast brass waterway.
- Quarter-turn washerless ceramic disc valves.
- Flexible supplies.
- Pop-up drain with lift rod and tailpiece.
- Oval handles.
- Stationary spout.
- Single-hole mounting.
- 4-13/16" (122 mm) spout reach.
- 1.2 gal/min (4.5 l/min) maximum flow rate [max at 60 psi (4.14 bar)].



Codes/Standards

ASME A112.18.1/CSA B125.1

NSF/ANSI 61

NSF/ANSI 372

All applicable US Federal and State material regulations

DOE - Energy Policy Act 1992

EPA WaterSense®

California Energy Commission (CEC)

KOHLER® Faucet Lifetime Limited Warranty

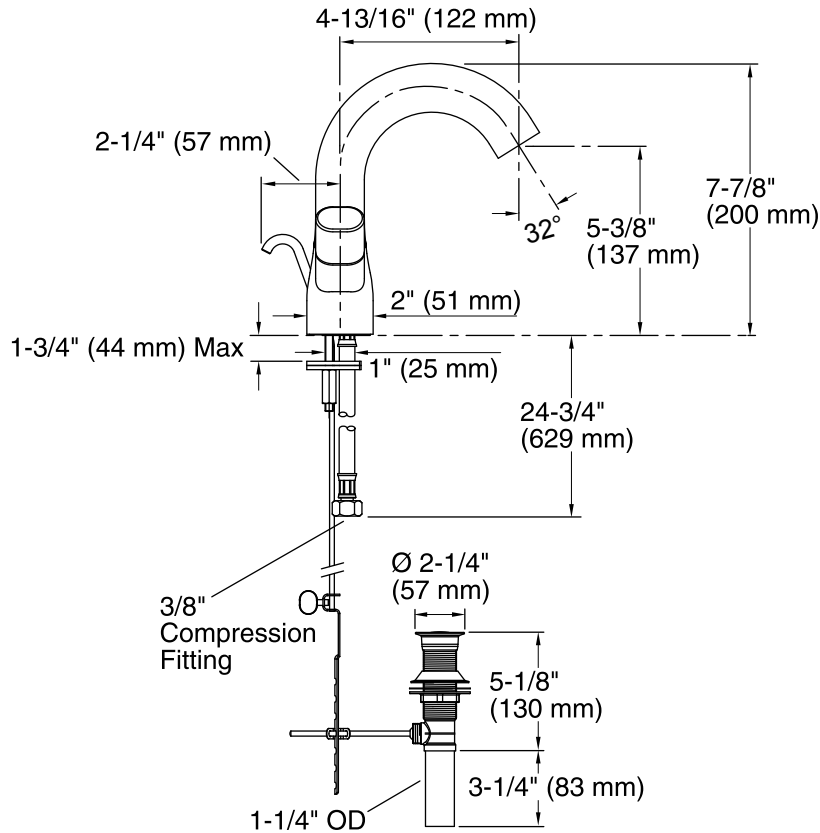
See website for detailed warranty information.

Available Colors/Finishes

Color tiles intended for reference only.

Color Code Description

	BN	Vibrant® Brushed Nickel
--	----	-------------------------



Technical Information

All product dimensions are nominal.

Faucet:

- Flow rate: 1.2 gal/min (4.5 l/min)
- Pressure: 60 psi (4.1 bar)
- Drain included: Yes
- Drain tailpiece included: Yes

Spout:

- Spout reach: 4-13/16" (122 mm)

Notes

Install this product according to the installation guide.