



CONTROLS

CONTROLS INDEX



HAZCON Series
 HKH Non-Metallic Control Stations.....2-14
 Rocker Switch 15
 HKH Stainless Steel Control Stations.. 16-29
 HKH Actuators & Accessories30-37
 Catalog Number Logic 38



SEAL-XM Series
 Factory Sealed Controls.....39-43



FXCS Series
 Factory Sealed Control Stations.....44-49



FXB Series
 Splice Boxes, Blank Cover, Spacer 45



FXCS Series
 Factory Sealed Cover Assemblies.....46-49



XCS/XS/XST/SWB Series
 Control Stations
 External Sealing Required.....50-57



SWB Series
 Device Boxes.....51

SWB Series
 Conduit Opening Data.....52



XCS Series
 Cover Assemblies Control Stations53-57



XCS Series
 Blank Covers 58



FXCS/XCS Series
 Accessories, Replacement Parts58-59



XS/XST Series
 Tumbler Switch 60



XAL/XAS Series
 Fire Alarm Stations61



G Series
 Custom Control Panel Operators
 Push Buttons, Pilot Lights,
 Selector Switches 62-67



G Series
 Specialty Operators..... 68



G Series
 Operator Bodies 69



G Series
 Accessories/Replacement Parts..... 70-71

G Series
 Operator Ordering System
 and Symbols 72-73

G Series
 Dimensions74



NON-METALLIC DIN RAIL MOUNT



Applications

- Hazardous and corrosive environments due to the presence of flammable gases or vapors, combustible dusts or ignitable fiber or flyings.
- Installations at petroleum refineries, chemical and petrochemical plants and other processing or storage facilities where similar hazards exist.
- Use in conjunction with motor starters or contactors for remote control of motors.

Materials

- Impact Resistant Non-Metallic PA6 Glass Reinforced Antistatic Material with f1 UV Protection against the most severe exposure to sunlight with a Flame Retardant rating of V-0.
- Silicone gasketing on all enclosures and operators throughout.
- Brass gland plates available for metric size applications of plastic enclosures.

Features

- Size 1 Control Stations available as 1a, 1b, & 1c as standard catalog number offerings for 1, 2 & 3 device openings and will accept 2-M20 entries in either end. Ammeters available in 1b & 1c. Size 2 Enclosures available as 2a & 2c for 2, 4 & 6 device entries in cover with ability to accept 2-M25 entries in either end.
- Operating Temperature of -50°C to +60°C
- Explosion Protected contact blocks 690VAC N.O. & N.C. capable of 20 Amps for Switching Duty and HP Ratings up to 1HP.
- LED Pilot Light modules for 12-250V AC/DC for UL applications. 12-254V AC/DC for IEC applications.
- Contacts & Pilot lights can be mounted inside enclosure on Din Rail or in cover to the actuator.
- Accessories available for Lockout/Tag Out functions made in 316 stainless steel.

Complies with RoHS, WEEE, ATEX, EMC and Low Voltage directives.



CONTROLS

HKH SERIES



NON-METALLIC PANEL MOUNT



Applications

- Hazardous and corrosive environments due to the presence of flammable gases or vapors, combustible dusts or ignitable fiber or flyings.
- Installations at petroleum refineries, chemical and petrochemical plants and other processing or storage facilities where similar hazards exist.
- Use in conjunction with motor starters or contactors for remote control of motors.

Materials

- Impact Resistant Non-Metallic PA6 Glass Reinforced Antistatic Material with f1 UV Protection against the most severe exposure to sunlight with a Flame Retardant rating of V-0.
- Silicone gasketing on all enclosures and operators throughout.
- Brass gland plates available for metric size applications of plastic enclosures.

Features

- Size 1 Control Stations available as 1a, 1b, & 1c as standard catalog number offerings for 1, 2 & 3 device openings and will accept 2-M20 entries in either end. Ammeters available in 1b & 1c. Size 2 Enclosures available as 2a & 2c for 2, 4 & 6 device entries in cover with ability to accept 2-M25 entries in either end.
- Operating Temperature of -50°C to +60°C
- Explosion Protected contact blocks 690VAC N.O. & N.C. capable of 20 Amps for Switching Duty and HP Ratings up to 1HP.
- LED Pilot Light modules for 12-250V AC/DC for UL applications. 12-254V AC/DC for IEC applications.
- Contacts & Pilot lights can be mounted inside enclosure on Din Rail or in cover to the actuator.
- Accessories available for Lockout/Tag Out functions made in 316 stainless steel.

Complies with RoHS, WEEE, ATEX, EMC and Low Voltage directives.



IEx 16.0079 INMETRO



TR RU C-US.MI062.B.04167



STANDARD SIZE 1a NON-METALLIC CONFIGURATIONS



Momentary Push Button



Momentary & Maintained Mushroom P.B.



Pilot Light

ATEX/IECEX Certified

CE 0518 II 2 G Ex de IIC T6...T4 Gb
 0518 II 2 D Ex tb IIIC T6...T4 Db IP66
DEMKO 15 ATEX 1405X
 Ex de IIC T6...T4 Gb
 Ex tb IIIC T85°C...T135°C Db IP66
 IECEX UL 15.0054X
 Ambient Range: -50°C ≤ Ta ≤ 60°C

cULus Certified

Class I, Zone 1, AEx de IIC T6...T4 Gb / Ex de IIC T6...T4 Gb X
 Zone 21, AEx tb IIIC T85°C...T135°C Db IP66 / Ex tb IIIC T85°C...T135°C Db IP66 X
 Class I, Division 2, Groups A, B, C, D
 Class II, Division 1, Groups E, F, G (Canada Only)
 Class II, Division 2, Groups E, F, G
 Class III
 UL50, 50E, 508, UL60079-0, -1, -7, -31
 Type 3, 4, 4X, 12, 13
 Ambient Range: -50°C ≤ Ta ≤ 60°C



FEATURES-SPECIFICATIONS

HAZCON™

The control stations on this page are the most commonly used configurations of pilot lights and push buttons.

One entry listed is located at bottom.

HKH MOMENTARY SINGLE PUSH BUTTON							
CATALOG NUMBER		ENTRY SIZE	CONTACT ARRANGEMENT		CONTACT BLOCKS	BUTTON COLOR	LEGEND PLATE MARKING
DIN RAIL MOUNT	PANEL MOUNT		IEC	NEMA			
HKH1AND2P11K8	HKH1ANP2P11K8	3/4" NPT SS HUB			1 N.O. / 1 N.C.	GREEN: START/(I)/BLANK RED: STOP/(O)/BLANK BLACK: BLANK	NONE
HKH1ANDAP11	HKH1ANPAP11	M20 CLEARANCE HOLE					
SUPPLIED WITH 7 COLORED AND MARKED DISCS – SEE BUTTON COLOR							

HKH MOMENTARY SINGLE PUSH BUTTON - MUSHROOM							
CATALOG NUMBER		ENTRY SIZE	CONTACT ARRANGEMENT		CONTACT BLOCKS	BUTTON COLOR	LEGEND PLATE MARKING
DIN RAIL MOUNT	PANEL MOUNT		IEC	NEMA			
HKH1AND2M11BK8	HKH1ANP2M11BK8	3/4" NPT SS HUB			1 N.O. / 1 N.C.	RED	STOP
HKH1AND2M21AK8	HKH1ANP2M21AK8					GREEN	START
HKH1AND2M310K8	HKH1ANP2M310K8					BLACK	BLANK
HKH1ANDAM11B	HKH1ANPAM11B	M20 CLEARANCE HOLE			1 N.O. / 1 N.C.	RED	STOP
HKH1ANDAM21A	HKH1ANPAM21A					GREEN	START
HKH1ANDAM310	HKH1ANPAM310					BLACK	BLANK

HKH MAINTAINED SINGLE PUSH PULL BUTTON - MUSHROOM							
CATALOG NUMBER		ENTRY SIZE	CONTACT ARRANGEMENT		CONTACT BLOCKS	BUTTON COLOR	LEGEND PLATE MARKING
DIN RAIL MOUNT	PANEL MOUNT		IEC	NEMA			
HKH1AND2M41BK8	HKH1ANP2M41BK8	3/4" NPT SS HUB			1 N.O. / 1 N.C.	RED	STOP
HKH1AND2M51AK8	HKH1ANP2M51AK8					GREEN	START
HKH1AND2M610K8	HKH1ANP2M610K8					BLACK	BLANK
HKH1ANDAM41B	HKH1ANPAM41B	M20 CLEARANCE HOLE			1 N.O. / 1 N.C.	RED	STOP
HKH1ANDAM51A	HKH1ANPAM51A					GREEN	START
HKH1ANDAM610	HKH1ANPAM610					BLACK	BLANK

HKH SINGLE PILOT LIGHT								
3/4" NPT SS HUB SUPPLIED		M20 CLEARANCE HOLE SUPPLIED		CONTACT ARRANGEMENT		LAMP VOLTAGE	COLOR	LEGEND PLATE MARKING
DIN RAIL MOUNT	PANEL MOUNT	DIN RAIL MOUNT	PANEL MOUNT	IEC	NEMA			
HKH1AND2LRL0K8	HKH1ANP2LRL0K8	HKH1ANDALRLO	HKH1ANPALRLO			12V-254V AC/DC IEC EX 12V-250V AC/DC UL	RED LED	BLANK
HKH1AND2LGL0K8	HKH1ANP2LGL0K8	HKH1ANDALGLO	HKH1ANPALGLO				GREEN LED	
HKH1AND2LAL0K8	HKH1ANP2LAL0K8	HKH1ANDALALO	HKH1ANPALALO				AMBER LED	
HKH1AND2LCL0K8	HKH1ANP2LCL0K8	HKH1ANDALCLO	HKH1ANPALCLO				CLEAR LED	
HKH1AND2LBL0K8	HKH1ANP2LBL0K8	HKH1ANDALBLO	HKH1ANPALBLO				BLUE LED	

CONTROLS

HKH SERIES



STANDARD SIZE 1a NON-METALLIC CONFIGURATIONS



Maintained
Mushroom P.B.
Pull Release



Maintained
Mushroom P.B.
Twist Release



Double
Momentary
Push Button

ATEX/IECEX Certified

CE 0518 II 2 G Ex de IIC T6...T4 Gb
0518 II 2 D Ex tb IIIC T6...T4 Db IP66

DEMKO 15 ATEX 1405X

Ex de IIC T6...T4 Gb

Ex tb IIIC T85°C...T135°C Db IP66

IECEX UL 15.0054X

Ambient Range: -50°C ≤ Ta ≤ 60°C

cULus Certified

Class I, Zone 1, AEx de IIC T6...T4 Gb / Ex de IIC T6...T4 Gb X

Zone 21, AEx tb IIIC T85°C...T135°C Db IP66 / Ex tb IIIC T85°C...T135°C Db IP66 X

Class I, Division 2, Groups A, B, C, D

Class II, Division 1, Groups E, F, G (Canada Only)

Class II, Division 2, Groups E, F, G

Class III

UL50, 50E, 508, UL60079-0, -1, -7, -31

Type 3, 4, 4X, 12, 13

Ambient Range: -50°C ≤ Ta ≤ 60°C



FEATURES-SPECIFICATIONS

HAZCON™

The control stations on this page are the most commonly used configurations of mushroom push buttons and double push button.

One entry listed is located at bottom.

HKH MAINTAINED MUSHROOM STAY PUT E-STOP							
CATALOG NUMBER		ENTRY SIZE	CONTACT ARRANGEMENT		CONTACT BLOCKS	BUTTON COLOR	LEGEND PLATE MARKING
DIN RAIL MOUNT	PANEL MOUNT		IEC	NEMA			
HKH1AND2M41EK8 (PULL RELEASE)	HKH1ANP2M41EK8 (PULL RELEASE)	3/4" NPT SS HUB			1 N.O. / 1 N.C.	RED	EMERGENCY STOP
HKH1AND2M71EK8 (TWIST RELEASE)	HKH1ANP2M71EK8 (TWIST RELEASE)						
HKH1ANDAM41E (PULL RELEASE)	HKH1ANPAM41E (PULL RELEASE)	M20 CLEARANCE HOLE			1 N.O. / 1 N.C.	RED	EMERGENCY STOP
HKH1ANDAM71E (TWIST RELEASE)	HKH1ANPAM71E (TWIST RELEASE)						

HKH DOUBLE MOMENTARY PUSH BUTTON, 1 N.O. START/1 N.C. STOP							
CATALOG NUMBER		ENTRY SIZE	CONTACT ARRANGEMENT		CONTACT BLOCKS	BUTTON COLOR	LEGEND PLATE MARKING
DIN RAIL MOUNT	PANEL MOUNT		IEC	NEMA			
HKH1AND2P21K8	HKH1ANP2P21K8	3/4" NPT SS HUB		START STOP 	1 N.O. / 1 N.C.	GREEN: START/(I)/BLANK RED: STOP/(O)/BLANK BLACK: BLANK	—
HKH1ANDAP21	HKH1ANPAP21	M20 CLEARANCE HOLE					



HKH SERIES

KILLARK

STANDARD SIZE 1a NON-METALLIC CONFIGURATIONS



2 Position
Selector Switch Maint. & Mom.



3 Position
Selector Switch Maint. & Mom.

ATEX/IECEX Certified

CE 0518 II 2 G Ex de IIC T6...T4 Gb
 0518 II 2 D Ex tb IIIC T6...T4 Db IP66
DEMKO 15 ATEX 1405X
 Ex de IIC T6...T4 Gb
 Ex tb IIIC T85°C...T135°C Db IP66
 IECEX UL 15.0054X
 Ambient Range: -50°C ≤ Ta ≤ 60°C

cULus Certified

Class I, Zone 1, AEx de IIC T6...T4 Gb / Ex de IIC T6...T4 Gb X
 Zone 21, AEx tb IIIC T85°C...T135°C Db IP66 / Ex tb IIIC T85°C...T135°C Db IP66 X
 Class I, Division 2, Groups A, B, C, D
 Class II, Division 1, Groups E, F, G (Canada Only)
 Class II, Division 2, Groups E, F, G
 Class III
 UL50, 50E, 508, UL60079-0, -1, -7, -31
 Type 3, 4, 4X, 12, 13
 Ambient Range: -50°C ≤ Ta ≤ 60°C



FEATURES-SPECIFICATIONS

HAZCON™

The control stations on this page are the most commonly used configurations of rotary selector switches.

One entry listed is located at bottom.

HKH MAINTAINED 2-POSITION SELECTOR SWITCH						
CATALOG NUMBER		ENTRY SIZE	CONTACT ARRANGEMENT		CONTACT BLOCKS	LEGEND PLATE MARKING
DIN RAIL MOUNT	PANEL MOUNT		IEC	NEMA		
HKH1AND2S11SK8	HKH1ANP2S11SK8	3/4" NPT SS HUB		OFF ON	1 N.C. / 1 N.O.	OFF-ON
HKH1ANDAS11S	HKH1ANPAS11S	M20 CLEARANCE HOLE				
HKH 2-POSITION SELECTOR SWITCH SPRING RETURN, MOM. RIGHT, MAINT. LEFT						
CATALOG NUMBER		ENTRY SIZE	CONTACT ARRANGEMENT		CONTACT BLOCKS	LEGEND PLATE MARKING
DIN RAIL MOUNT	PANEL MOUNT		IEC	NEMA		
HKH1AND2S210K8	HKH1ANP2S210K8	3/4" NPT SS HUB			1 N.C. / 1 N.O.	BLANK
HKH1ANDAS210	HKH1ANPAS210	M20 CLEARANCE HOLE				
HKH MAINTAINED 3-POSITION SELECTOR SWITCH INDEPENDENT CAM						
CATALOG NUMBER		ENTRY SIZE	CONTACT ARRANGEMENT		CONTACT BLOCKS	LEGEND PLATE MARKING
DIN RAIL MOUNT	PANEL MOUNT		IEC	NEMA		
HKH1AND2S349K8	HKH1ANP2S349K8	3/4" NPT SS HUB		HAND OFF AUTO	2 N.O.	HAND-OFF-AUTO
HKH1ANDAS349	HKH1ANPAS349	M20 CLEARANCE HOLE				
HKH 3-POSITION SELECTOR SWITCH SPRING RETURN, MOM. LEFT & RIGHT, MAINT. CENTER						
CATALOG NUMBER		ENTRY SIZE	CONTACT ARRANGEMENT		CONTACT BLOCKS	LEGEND PLATE MARKING
DIN RAIL MOUNT	PANEL MOUNT		IEC	NEMA		
HKH1AND2S440K8	HKH1ANP2S440K8	3/4" NPT SS HUB			2 N.O.	BLANK
HKH1ANDAS440	HKH1ANPAS440	M20 CLEARANCE HOLE				
HKH 3-POSITION SELECTOR SWITCH SPRING RETURN, MOM. RIGHT, MAINT. CENTER & LEFT						
CATALOG NUMBER		ENTRY SIZE	CONTACT ARRANGEMENT		CONTACT BLOCKS	LEGEND PLATE MARKING
DIN RAIL MOUNT	PANEL MOUNT		IEC	NEMA		
HKH1AND2S540K8	HKH1ANP2S540K8	3/4" NPT SS HUB			2 N.O.	BLANK
HKH1ANDAS540	HKH1ANPAS540	M20 CLEARANCE HOLE				
HKH 3-POSITION SELECTOR SWITCH SPRING RETURN, MOM. LEFT, MAINT. CENTER & RIGHT						
CATALOG NUMBER		ENTRY SIZE	CONTACT ARRANGEMENT		CONTACT BLOCKS	LEGEND PLATE MARKING
DIN RAIL MOUNT	PANEL MOUNT		IEC	NEMA		
HKH1AND2S640K8	HKH1ANP2S640K8	3/4" NPT SS HUB			2 N.O.	BLANK
HKH1ANDAS640	HKH1ANPAS640	M20 CLEARANCE HOLE				

CONTROLS

HKH SERIES



STANDARD SIZE 1a NON-METALLIC CONFIGURATIONS



2 Position
Key Selector SWT Maint. & Mom.



3 Position
Key Selector SWT Maint. & Mom.

ATEX/IECEX Certified

CE 0518 Ex II 2 G Ex de IIC T6...T4 Gb
 CE 0518 Ex II 2 D Ex tb IIIC T6...T4 Db IP66
DEMKO 15 ATEX 1405X
 Ex de IIC T6...T4 Gb
 Ex tb IIIC T85°C...T135°C Db IP66
 IECEX UL 15.0054X
 Ambient Range: -50°C ≤ Ta ≤ 60°C

cULus Certified

Class I, Zone 1, AEx de IIC T6...T4 Gb / Ex de IIC T6...T4 Gb X
 Zone 21, AEx tb IIIC T85°C...T135°C Db IP66 / Ex tb IIIC T85°C...T135°C Db IP66 X
 Class I, Division 2, Groups A, B, C, D
 Class II, Division 1, Groups E, F, G (Canada Only)
 Class II, Division 2, Groups E, F, G
 Class III
 UL50, 50E, 508, UL60079-0, -1, -7, -31
 Type 3, 4, 4X, 12
 Ambient Range: -50°C ≤ Ta ≤ 60°C



FEATURES-SPECIFICATIONS

HAZCON™

The control stations on this page are the most commonly used configurations of keyed rotary selector switches.

One entry hole listed is located at bottom.

HKH MAINTAINED 2-POSITION KEYED SELECTOR SWITCH						
CATALOG NUMBER		ENTRY SIZE	CONTACT ARRANGEMENT		CONTACT BLOCKS	LEGEND PLATE MARKING
DIN RAIL MOUNT	PANEL MOUNT		IEC	NEMA		
HKH1AND2K11SK8	HKH1ANP2K11SK8	3/4" NPT SS HUB			1 N.C. / 1 N.O.	OFF-ON
HKH1ANDAK11S	HKH1ANPAK11S	M20 CLEARANCE HOLE				
HKH 2-POSITION KEYED SELECTOR SWITCH SPRING RETURN, MOM. RIGHT, MAINT. LEFT						
CATALOG NUMBER		ENTRY SIZE	CONTACT ARRANGEMENT		CONTACT BLOCKS	LEGEND PLATE MARKING
DIN RAIL MOUNT	PANEL MOUNT		IEC	NEMA		
HKH1AND2K210K8	HKH1ANP2K210K8	3/4" NPT SS HUB			1 N.C. / 1 N.O.	BLANK
HKH1ANDAK210	HKH1ANPAK210	M20 CLEARANCE HOLE				
HKH MAINTAINED 3-POSITION KEYED SELECTOR SWITCH INDEPENDENT CAM						
CATALOG NUMBER		ENTRY SIZE	CONTACT ARRANGEMENT		CONTACT BLOCKS	LEGEND PLATE MARKING
DIN RAIL MOUNT	PANEL MOUNT		IEC	NEMA		
HKH1AND2K349K8	HKH1ANP2K349K8	3/4" NPT SS HUB			2 N.O.	HAND-OFF-AUTO
HKH1ANDAK349	HKH1ANPAK349	M20 CLEARANCE HOLE				
HKH 3-POSITION KEYED SELECTOR SWITCH SPRING RETURN, MOM. LEFT & RIGHT, MAINT. CENTER						
CATALOG NUMBER		ENTRY SIZE	CONTACT ARRANGEMENT		CONTACT BLOCKS	LEGEND PLATE MARKING
DIN RAIL MOUNT	PANEL MOUNT		IEC	NEMA		
HKH1AND2K440K8	HKH1ANP2K440K8	3/4" NPT SS HUB			2 N.O.	BLANK
HKH1ANDAK440	HKH1ANPAK440	M20 CLEARANCE HOLE				
HKH 3-POSITION KEYED SELECTOR SWITCH SPRING RETURN, MOM. RIGHT, MAINT. CENTER & LEFT						
CATALOG NUMBER		ENTRY SIZE	CONTACT ARRANGEMENT		CONTACT BLOCKS	LEGEND PLATE MARKING
DIN RAIL MOUNT	PANEL MOUNT		IEC	NEMA		
HKH1AND2K540K8	HKH1ANP2K540K8	3/4" NPT SS HUB			2 N.O.	BLANK
HKH1ANDAK540	HKH1ANPAK540	M20 CLEARANCE HOLE				
HKH 3-POSITION KEYED SELECTOR SWITCH SPRING RETURN, MOM. LEFT, MAINT. CENTER & RIGHT						
CATALOG NUMBER		ENTRY SIZE	CONTACT ARRANGEMENT		CONTACT BLOCKS	LEGEND PLATE MARKING
DIN RAIL MOUNT	PANEL MOUNT		IEC	NEMA		
HKH1AND2K640K8	HKH1ANP2K640K8	3/4" NPT SS HUB			2 N.O.	BLANK
HKH1ANDAK640	HKH1ANPAK640	M20 CLEARANCE HOLE				



STANDARD SIZE 1b NON-METALLIC CONFIGURATIONS



Momentary Push Button

Momentary Mushroom P.B.

Momentary Start-Stop Push Buttons

Pilot Light

ATEX/IECEX Certified

CE 0518 II 2 G Ex de IIC T6...T4 Gb
 0518 II 2 D Ex tb IIIC T6...T4 Db IP66
DEMKO 15 ATEX 1405X
 Ex de IIC T6...T4 Gb
 Ex tb IIIC T85°C...T135°C Db IP66
 IECEX UL 15.0054X
 Ambient Range: -50°C ≤ Ta ≤ 60°C

cULus Certified

Class I, Zone 1, AEx de IIC T6...T4 Gb / Ex de IIC T6...T4 Gb X
 Zone 21, AEx tb IIIC T85°C...T135°C Db IP66 / Ex tb IIIC T85°C...T135°C Db IP66 X
 Class I, Division 2, Groups A, B, C, D
 Class II, Division 1, Groups E, F, G (Canada Only)
 Class II, Division 2, Groups E, F, G
 Class III
 UL50, 50E, 508, UL60079-0, -1, -7, -31
 Type 3, 4, 4X, 12, 13
 Ambient Range: -50°C ≤ Ta ≤ 60°C



FEATURES-SPECIFICATIONS

HAZCON™

The control stations on this page are the most commonly used configurations, including combinations of pilot lights and push buttons.

One entry listed is located at bottom.

HKH MOMENTARY SINGLE PUSH BUTTON							
CATALOG NUMBER		ENTRY SIZE	CONTACT ARRANGEMENT		CONTACT BLOCKS	BUTTON COLOR	LEGEND PLATE MARKING
DIN RAIL MOUNT	PANEL MOUNT		IEC	NEMA			
HKH1BND2P11K8	HKH1BNP2P11K8	3/4" NPT SS HUB			1 N.O. / 1 N.C.	GREEN: START/(I)/BLANK RED: STOP/(O)/BLANK BLACK: BLANK	NONE
HKH1BNDAP11	HKH1BNPAP11	M20 CLEARANCE HOLE					
SUPPLIED WITH 7 COLORED AND MARKED DISCS – SEE BUTTON COLOR							

HKH MOMENTARY SINGLE PUSH BUTTON - MUSHROOM							
CATALOG NUMBER		ENTRY SIZE	CONTACT ARRANGEMENT		CONTACT BLOCKS	BUTTON COLOR	LEGEND PLATE MARKING
DIN RAIL MOUNT	PANEL MOUNT		IEC	NEMA			
HKH1BND2M11BK8	HKH1BNP2M11BK8	3/4" NPT SS HUB			1 N.O. / 1 N.C.	RED	STOP
HKH1BND2M21AK8	HKH1BNP2M21AK8					GREEN	START
HKH1BND2M31OK8	HKH1BNP2M31OK8					BLACK	BLANK
HKH1BNDAM11B	HKH1BNPAM11B	M20 CLEARANCE HOLE			1 N.O. / 1 N.C.	RED	STOP
HKH1BNDAM21A	HKH1BNPAM21A					GREEN	START
HKH1BNDAM310	HKH1BNPAM310					BLACK	BLANK

HKH DOUBLE MOMENTARY START-STOP PUSH BUTTONS							
CATALOG NUMBER		ENTRY SIZE	CONTACT ARRANGEMENT		CONTACT BLOCKS	BUTTON COLOR	LEGEND PLATE MARKING
DIN RAIL MOUNT	PANEL MOUNT		IEC	NEMA			
HKH1BND2P11P11K8	HKH1BNP2P11P11K8	3/4" NPT SS HUB		START STOP 	1 N.O. / 1 N.C. 1 N.O. / 1 N.C.	GREEN, START, (I) RED, STOP, (O)	—
HKH1BNDAP11P11	HKH1BNPAP11P11	M20 CLEARANCE HOLE					

HKH SINGLE PILOT LIGHT								
3/4" NPT SS HUB SUPPLIED		M20 CLEARANCE HOLE SUPPLIED		CONTACT ARRANGEMENT		LAMP VOLTAGE	COLOR	LEGEND PLATE MARKING
DIN RAIL MOUNT	PANEL MOUNT	DIN RAIL MOUNT	PANEL MOUNT	IEC	NEMA			
HKH1BND2LRL0K8	HKH1BNP2LRL0K8	HKH1BNDALRL0	HKH1BNPALRL0			12V-254V AC/DC IEC EX 12V-250V AC/DC UL	RED LED	BLANK
HKH1BND2LGL0K8	HKH1BNP2LGL0K8	HKH1BNDALGL0	HKH1BNPALGL0				GREEN LED	
HKH1BND2LAL0K8	HKH1BNP2LAL0K8	HKH1BNDALALO	HKH1BNPALALO				AMBER LED	
HKH1BND2LCL0K8	HKH1BNP2LCL0K8	HKH1BNDALCLO	HKH1BNPALCLO				CLEAR LED	
HKH1BND2LBL0K8	HKH1BNP2LBL0K8	HKH1BNDALBLO	HKH1BNPALBLO				BLUE LED	

CONTROLS

HKH SERIES



STANDARD SIZE 1b NON-METALLIC CONFIGURATIONS



ATEX/IECEX Certified

CE 0518 Ex II 2 G Ex de IIC T6...T4 Gb
0518 Ex II 2 D Ex tb IIIC T6...T4 Db IP66

DEMKO 15 ATEX 1405X

Ex de IIC T6...T4 Gb

Ex tb IIIC T85°C...T135°C Db IP66

IECEX UL 15.0054X

Ambient Range: -50°C ≤ Ta ≤ 60°C

cULus Certified

Class I, Zone 1, AEx de IIC T6...T4 Gb / Ex de IIC T6...T4 Gb X

Zone 21, AEx tb IIIC T85°C...T135°C Db IP66 / Ex tb IIIC T85°C...T135°C Db IP66 X

Class I, Division 2, Groups A, B, C, D

Class II, Division 1, Groups E, F, G (Canada Only)

Class II, Division 2, Groups E, F, G

Class III

UL50, 50E, 508, UL60079-0, -1, -7, -31

Type 3, 4, 4X, 12, 13

Ambient Range: -50°C ≤ Ta ≤ 60°C



FEATURES-SPECIFICATIONS

HAZCON™

The control stations on this page are the most commonly used configurations, including combinations of pilot lights and push buttons.

One entry listed is located at bottom.

HKH MAINTAINED MUSHROOM STAY PUT E-STOP							
CATALOG NUMBER		ENTRY SIZE	CONTACT ARRANGEMENT		CONTACT BLOCKS	BUTTON COLOR	LEGEND PLATE MARKING
DIN RAIL MOUNT	PANEL MOUNT		IEC	NEMA			
HKH1BND2M41EK8 (PULL RELEASE)	HKH1BNP2M41EK8 (PULL RELEASE)	3/4" NPT SS HUB			1 N.O. / 1 N.C.	RED	EMERGENCY STOP
HKH1BND2M71EK8 (TWIST RELEASE)	HKH1BNP2M71EK8 (TWIST RELEASE)						
HKH1BNDAM41E (PULL RELEASE)	HKH1BNPAM41E (PULL RELEASE)	M20 CLEARANCE HOLE			1 N.O. / 1 N.C.	RED	EMERGENCY STOP
HKH1BNDAM71E (TWIST RELEASE)	HKH1BNPAM71E (TWIST RELEASE)						

HKH MAINTAINED SINGLE PUSH PULL BUTTON - MUSHROOM							
CATALOG NUMBER		ENTRY SIZE	CONTACT ARRANGEMENT		CONTACT BLOCKS	BUTTON COLOR	LEGEND PLATE MARKING
DIN RAIL MOUNT	PANEL MOUNT		IEC	NEMA			
HKH1BND2M41BK8	HKH1BNP2M41BK8	3/4" NPT SS HUB			1 N.O. / 1 N.C.	RED	STOP
HKH1BND2M51AK8	HKH1BNP2M51AK8					GREEN	START
HKH1BND2M61OK8	HKH1BNP2M61OK8					BLACK	BLANK
HKH1BNDAM41B	HKH1BNPAM41B	M20 CLEARANCE HOLE			1 N.O. / 1 N.C.	RED	STOP
HKH1BNDAM51A	HKH1BNPAM51A					GREEN	START
HKH1BNDAM610	HKH1BNPAM610					BLACK	BLANK

HKH DOUBLE PILOT LIGHT								
3/4" NPT SS HUB SUPPLIED		M20 CLEARANCE HOLE SUPPLIED		CONTACT ARRANGEMENT		LAMP VOLTAGE	COLOR	LEGEND PLATE MARKING
DIN RAIL MOUNT	PANEL MOUNT	DIN RAIL MOUNT	PANEL MOUNT	IEC	NEMA			
HKH1BND2LRL0LGL0K8	HKH1BNP2LRL0LGL0K8	HKH1BNDALRL0LGL0	HKH1BNPALRL0LGL0			12V-254V AC/DC IEC EX 12V-250V AC/DC UL	RED/GREEN	BLANK
HKH1BND2LRL0LRL0K8	HKH1BNP2LRL0LRL0K8	HKH1BNDALRL0LRL0	HKH1BNPALRL0LRL0				RED/RED	
HKH1BND2LGL0LGL0K8	HKH1BNP2LGL0LGL0K8	HKH1BNDALGL0LGL0	HKH1BNPALGL0LGL0			GREEN/GREEN		

HKH DOUBLE MOMENTARY PUSH BUTTON & PILOT LIGHT								
CATALOG NUMBER		ENTRY SIZE	CONTACT ARRANGEMENT		LAMP VOLTAGE	CONTACT BLOCKS	BUTTON COLOR	LEGEND PLATE MARKING
DIN RAIL MOUNT	PANEL MOUNT		IEC	NEMA				
HKH1BND2LRL0P21K8	HKH1BNP2LRL0P21K8	3/4" NPT SS HUB			12V-254V, AC/DC	1 N.O. 1 N.C.	GREEN, START, (I)	—
HKH1BNDALRL0P21	HKH1BNPALRL0P21	M20 CLEARANCE HOLE					RED, STOP, (O)	—



HKH SERIES

KILLARK

STANDARD SIZE 1b NON-METALLIC CONFIGURATIONS



2 Position
Selector Switch
Maint. & Mom.



3 Position
Selector Switch
Maint. & Mom.

FEATURES-SPECIFICATIONS

HAZCON™

The control stations on this page are the most commonly used configurations of rotary selector switches.

One entry listed is located at bottom.

ATEX/IECEX Certified

CE 0518 II 2 G Ex de IIC T6...T4 Gb
0518 II 2 D Ex tb IIIC T6...T4 Db IP66
DEMKO 15 ATEX 1405X
Ex de IIC T6...T4 Gb
Ex tb IIIC T85°C...T135°C Db IP66
IECEX UL 15.0054X
Ambient Range: -50°C ≤ Ta ≤ 60°C

cULus Certified

Class I, Zone 1, AEx de IIC T6...T4 Gb / Ex de IIC T6...T4 Gb X
Zone 21, AEx tb IIIC T85°C...T135°C Db IP66 / Ex tb IIIC T85°C...T135°C Db IP66 X
Class I, Division 2, Groups A, B, C, D
Class II, Division 1, Groups E, F, G (Canada Only)
Class II, Division 2, Groups E, F, G
Class III
UL50, 50E, 508, UL60079-0, -1, -7, -31
Type 3, 4, 4X, 12, 13
Ambient Range: -50°C ≤ Ta ≤ 60°C



HKH MAINTAINED 2-POSITION SELECTOR SWITCH						
CATALOG NUMBER		ENTRY SIZE	CONTACT ARRANGEMENT		CONTACT BLOCKS	LEGEND PLATE MARKING
DIN RAIL MOUNT	PANEL MOUNT		IEC	NEMA		
HKH1BND2S11SK8	HKH1BNP2S11SK8	3/4" NPT SS HUB		OFF ON	1 N.C. / 1 N.O.	OFF-ON
HKH1BNDAS11S	HKH1BNPAS11S	M20 CLEARANCE HOLE				
HKH 2-POSITION SELECTOR SWITCH SPRING RETURN, MOM. RIGHT, MAINT. LEFT						
CATALOG NUMBER		ENTRY SIZE	CONTACT ARRANGEMENT		CONTACT BLOCKS	LEGEND PLATE MARKING
DIN RAIL MOUNT	PANEL MOUNT		IEC	NEMA		
HKH1BND2S210K8	HKH1BNP2S210K8	3/4" NPT SS HUB			1 N.C. / 1 N.O.	BLANK
HKH1BNDAS210	HKH1BNPAS210	M20 CLEARANCE HOLE				
HKH MAINTAINED 3-POSITION SELECTOR SWITCH INDEPENDENT CAM						
CATALOG NUMBER		ENTRY SIZE	CONTACT ARRANGEMENT		CONTACT BLOCKS	LEGEND PLATE MARKING
DIN RAIL MOUNT	PANEL MOUNT		IEC	NEMA		
HKH1BND2S349K8	HKH1BNP2S349K8	3/4" NPT SS HUB		HAND OFF AUTO	2 N.O.	HAND-OFF-AUTO
HKH1BNDAS349	HKH1BNPAS349	M20 CLEARANCE HOLE				
HKH 3-POSITION SELECTOR SWITCH SPRING RETURN, MOM. LEFT & RIGHT, MAINT. CENTER						
CATALOG NUMBER		ENTRY SIZE	CONTACT ARRANGEMENT		CONTACT BLOCKS	LEGEND PLATE MARKING
DIN RAIL MOUNT	PANEL MOUNT		IEC	NEMA		
HKH1BND2S440K8	HKH1BNP2S440K8	3/4" NPT SS HUB			2 N.O.	BLANK
HKH1BNDAS440	HKH1BNPAS440	M20 CLEARANCE HOLE				
HKH 3-POSITION SELECTOR SWITCH SPRING RETURN, MOM. RIGHT, MAINT. CENTER & LEFT						
CATALOG NUMBER		ENTRY SIZE	CONTACT ARRANGEMENT		CONTACT BLOCKS	LEGEND PLATE MARKING
DIN RAIL MOUNT	PANEL MOUNT		IEC	NEMA		
HKH1BND2S540K8	HKH1BNP2S540K8	3/4" NPT SS HUB			2 N.O.	BLANK
HKH1BNDAS540	HKH1BNPAS540	M20 CLEARANCE HOLE				
HKH 3-POSITION SELECTOR SWITCH SPRING RETURN, MOM. LEFT, MAINT. CENTER & RIGHT						
CATALOG NUMBER		ENTRY SIZE	CONTACT ARRANGEMENT		CONTACT BLOCKS	LEGEND PLATE MARKING
DIN RAIL MOUNT	PANEL MOUNT		IEC	NEMA		
HKH1BND2S640K8	HKH1BNP2S640K8	3/4" NPT SS HUB			2 N.O.	BLANK
HKH1BNDAS640	HKH1BNPAS640	M20 CLEARANCE HOLE				

CONTROLS

HKH SERIES



STANDARD SIZE 1b NON-METALLIC CONFIGURATIONS



2 Position
Key Selector SWT
Maint. & Mom.



3 Position
Key Selector SWT
Maint. & Mom.

ATEX/IECEX Certified

CE 0518 Ex II 2 G Ex de IIC T6...T4 Gb
CE 0518 Ex II 2 D Ex tb IIIC T6...T4 Db IP66

DEMKO 15 ATEX 1405X

Ex de IIC T6...T4 Gb

Ex tb IIIC T85°C...T135°C Db IP66

IECEX UL 15.0054X

Ambient Range: -50°C ≤ Ta ≤ 60°C

cULus Certified

Class I, Zone 1, AEx de IIC T6...T4 Gb / Ex de IIC T6...T4 Gb X

Zone 21, AEx tb IIIC T85°C...T135°C Db IP66 / Ex tb IIIC T85°C...T135°C Db IP66 X

Class I, Division 2, Groups A, B, C, D

Class II, Division 1, Groups E, F, G (Canada Only)

Class II, Division 2, Groups E, F, G

Class III

UL50, 50E, 508, UL60079-0, -1, -7, -31

Type 3, 4, 4X, 12

Ambient Range: -50°C ≤ Ta ≤ 60°C



FEATURES-SPECIFICATIONS

HAZCON™

The control stations on this page are the most commonly used configurations of keyed rotary selector switches.

One entry hole listed is located at bottom.

HKH MAINTAINED 2-POSITION KEYED SELECTOR SWITCH						
CATALOG NUMBER		ENTRY SIZE	CONTACT ARRANGEMENT		CONTACT BLOCKS	LEGEND PLATE MARKING
DIN RAIL MOUNT	PANEL MOUNT		IEC	NEMA		
HKH1BND2K11SK8	HKH1BNP2K11SK8	3/4" NPT SS HUB			1 N.C. / 1 N.O.	OFF-ON
HKH1BNDAK11S	HKH1BNPAK11S	M20 CLEARANCE HOLE				
HKH 2-POSITION KEYED SELECTOR SWITCH SPRING RETURN, MOM. RIGHT, MAINT. LEFT						
CATALOG NUMBER		ENTRY SIZE	CONTACT ARRANGEMENT		CONTACT BLOCKS	LEGEND PLATE MARKING
DIN RAIL MOUNT	PANEL MOUNT		IEC	NEMA		
HKH1BND2K210K8	HKH1BNP2K210K8	3/4" NPT SS HUB			1 N.C. / 1 N.O.	BLANK
HKH1BNDAK210	HKH1BNPAK210	M20 CLEARANCE HOLE				
HKH MAINTAINED 3-POSITION KEYED SELECTOR SWITCH INDEPENDENT CAM						
CATALOG NUMBER		ENTRY SIZE	CONTACT ARRANGEMENT		CONTACT BLOCKS	LEGEND PLATE MARKING
DIN RAIL MOUNT	PANEL MOUNT		IEC	NEMA		
HKH1BND2K349K8	HKH1BNP2K349K8	3/4" NPT SS HUB			2 N.O.	HAND-OFF-AUTO
HKH1BNDAK349	HKH1BNPAK349	M20 CLEARANCE HOLE				
HKH 3-POSITION KEYED SELECTOR SWITCH SPRING RETURN, MOM. LEFT & RIGHT, MAINT. CENTER						
CATALOG NUMBER		ENTRY SIZE	CONTACT ARRANGEMENT		CONTACT BLOCKS	LEGEND PLATE MARKING
DIN RAIL MOUNT	PANEL MOUNT		IEC	NEMA		
HKH1BND2K440K8	HKH1BNP2K440K8	3/4" NPT SS HUB			2 N.O.	BLANK
HKH1BNDAK440	HKH1BNPAK440	M20 CLEARANCE HOLE				
HKH 3-POSITION KEYED SELECTOR SWITCH SPRING RETURN, MOM. RIGHT, MAINT. CENTER & LEFT						
CATALOG NUMBER		ENTRY SIZE	CONTACT ARRANGEMENT		CONTACT BLOCKS	LEGEND PLATE MARKING
DIN RAIL MOUNT	PANEL MOUNT		IEC	NEMA		
HKH1BND2K540K8	HKH1BNP2K540K8	3/4" NPT SS HUB			2 N.O.	BLANK
HKH1BNDAK540	HKH1BNPAK540	M20 CLEARANCE HOLE				
HKH 3-POSITION KEYED SELECTOR SWITCH SPRING RETURN, MOM. LEFT, MAINT. CENTER & RIGHT						
CATALOG NUMBER		ENTRY SIZE	CONTACT ARRANGEMENT		CONTACT BLOCKS	LEGEND PLATE MARKING
DIN RAIL MOUNT	PANEL MOUNT		IEC	NEMA		
HKH1BND2K640K8	HKH1BNP2K640K8	3/4" NPT SS HUB			2 N.O.	BLANK
HKH1BNDAK640	HKH1BNPAK640	M20 CLEARANCE HOLE				



STANDARD SIZE 1c NON-METALLIC CONFIGURATIONS



ATEX/IECEX Certified

CE 0518 II 2 G Ex de IIC T6...T4 Gb
 0518 II 2 D Ex tb IIIC T6...T4 Db IP66
DEMKO 15 ATEX 1405X
 Ex de IIC T6...T4 Gb
 Ex tb IIIC T85°C...T135°C Db IP66
 IECEX UL 15.0054X
 Ambient Range: -50°C ≤ Ta ≤ 60°C

cULus Certified

Class I, Zone 1, AEx de IIC T6...T4 Gb / Ex de IIC T6...T4 Gb X
 Zone 21, AEx tb IIIC T85°C...T135°C Db IP66 / Ex tb IIIC T85°C...T135°C Db IP66 X
 Class I, Division 2, Groups A, B, C, D
 Class II, Division 1, Groups E, F, G (Canada Only)
 Class II, Division 2, Groups E, F, G
 Class III
 UL50, 50E, 508, UL60079-0, -1, -7, -31
 Type 3, 4, 4X, 12, 13
 Ambient Range: -50°C ≤ Ta ≤ 60°C



FEATURES-SPECIFICATIONS

HAZCON™

The control stations on this page are the most commonly used configurations, including combinations of pilot lights, push buttons, rotary selector switches and ammeter.

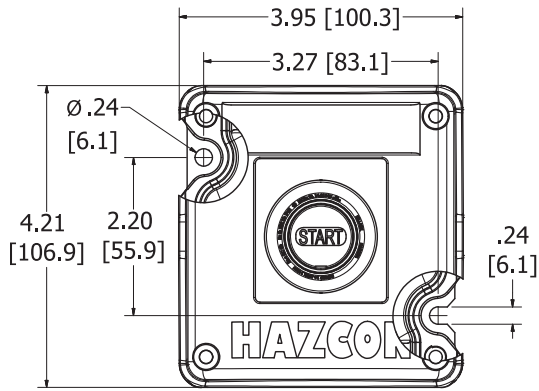
One entry hole listed is located at bottom.

HKH RED PILOT LIGHT & TWO MOMENTARY PUSH BUTTONS								
CATALOG NUMBER		ENTRY SIZE	CONTACT ARRANGEMENT		LAMP VOLTAGE	CONTACT BLOCKS	BUTTON COLOR	LEGEND PLATE MARKING
DIN RAIL MOUNT	PANEL MOUNT		IEC	NEMA				
HKHMOD000001	HKHMOD000002	3/4" NPT SS HUB			12V-254V AC/DC IEC EX	1 N.C.	RED STOP (I)	BLANK
HKHMOD000003	HKHMOD000004	M20 CLEARANCE HOLE			12V-250V AC/DC UL	1 N.O.	GREEN START (O)	
HKH THREE MOMENTARY PUSH BUTTONS								
CATALOG NUMBER		ENTRY SIZE	CONTACT ARRANGEMENT		CONTACT BLOCKS	BUTTON COLOR	LEGEND PLATE MARKING	
DIN RAIL MOUNT	PANEL MOUNT		IEC	NEMA				
HKHMOD000005	HKHMOD000006	3/4" NPT SS HUB			1 N.O. / 1 N.C. 1 N.O. / 1 N.C. 1 N.O. / 1 N.C.	GREEN: START/(I)/BLANK RED: STOP/(O)/BLANK BLACK: BLANK	BLANK	
HKHMOD000007	HKHMOD000008	M20 CLEARANCE HOLE						
HKH RED PILOT LIGHT, MUSHROOM MAINTAINED P.B., DOUBLE MOMENTARY P.B.								
CATALOG NUMBER		ENTRY SIZE	CONTACT ARRANGEMENT		LAMP VOLTAGE	BUTTON COLOR	LEGEND PLATE MARKING	
DIN RAIL MOUNT	PANEL MOUNT		IEC	NEMA				
HKHMOD000009 (PULL RELEASE)	HKHMOD000010 (PULL RELEASE)	3/4" NPT SS HUB			12V-254V AC/DC IEC EX 12V-250V AC/DC UL	RED GREEN: START/(I)/BLANK RED: STOP/(O)/BLANK	BLANK EMERGENCY STOP	
HKHMOD000011 (TWIST RELEASE)	HKHMOD000012 (TWIST RELEASE)							
HKHMOD000013 (PULL RELEASE)	HKHMOD000014 (PULL RELEASE)	M20 CLEARANCE HOLE			1 N.O. / 1 N.C. 1 N.O. / 1 N.C.			
HKHMOD000015 (TWIST RELEASE)	HKHMOD000016 (TWIST RELEASE)							
HKH 72MM AMMETER & 2 POSITION MAINT. SELECTOR SWITCH								
CATALOG NUMBER①		ENTRY SIZE	CONTACT ARRANGEMENT		CONTACT BLOCKS	BUTTON COLOR	LEGEND PLATE MARKING	
DIN RAIL MOUNT	PANEL MOUNT		IEC	NEMA				
HKHMOD000017	HKHMOD000018	3/4" NPT SS HUB			1 N.C. / 1 N.O.	—	BLANK	
HKHMOD000019	HKHMOD000020	M20 CLEARANCE HOLE						

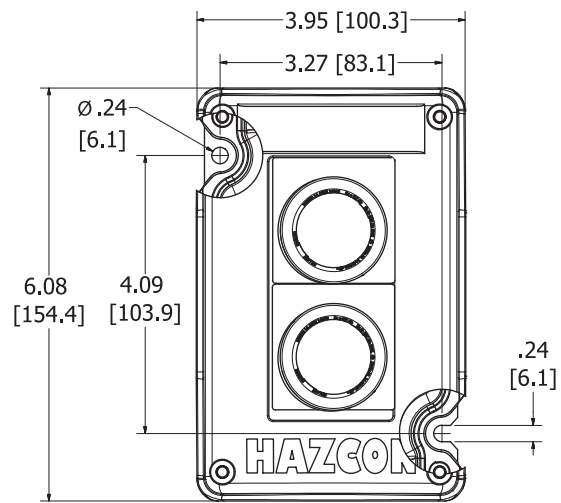
① IECEX/ATEX Only. Supplied with 72mm 1A Ammeter scale 0-5A and 25A OIL scale. For use with Current Transformer. Consult Factory for other scale ranges from page C36 and for Voltmeter options.



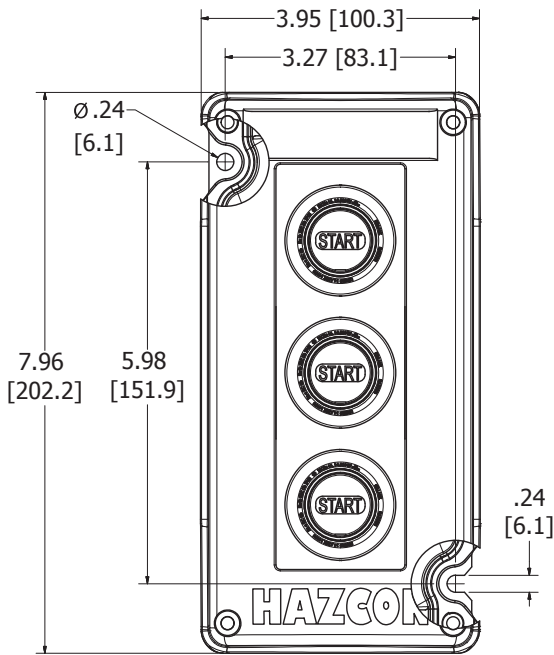
DIMENSIONAL DATA - SIZE 1 NON-METALLIC ENCLOSURES



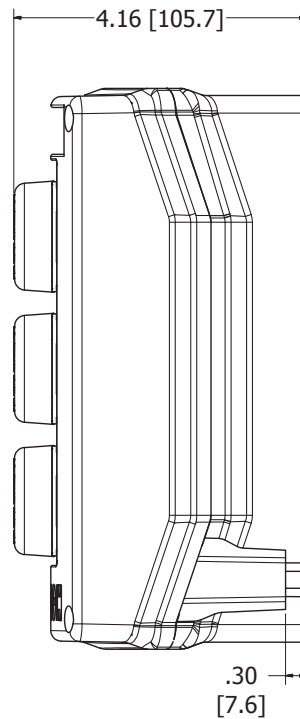
SIZE 1A



SIZE 1B



SIZE 1C



CLEARANCE HOLE FOR NPT FITTING	LOGIC CODE
1/2" TOP FEED	7
1/2" BOTTOM FEED	1
1/2" FEED THROUGH	4
3/4" TOP FEED	8
3/4" BOTTOM FEED	2
3/4" FEED THROUGH	5
1" TOP FEED	9
1" BOTTOM FEED	3
1" FEED THROUGH	6
CLEARANCE HOLE FOR METRIC FITTING	LOGIC CODE
M20 TOP FEED	C
M20 BOTTOM FEED	A
M20 FEED THROUGH	B
2 X M20 TOP FEED	F
2 X M20 BOTTOM FEED	D
M25 TOP FEED	J
M25 BOTTOM FEED	G
M25 FEED THROUGH	H



SIZE 2a & 2c NON-METALLIC



ATEX/IECEX Certified

CE 0518 II 2 G Ex de IIC T6...T4 Gb
 0518 II 2 D Ex tb IIIC T6...T4 Db IP66
DEMKO 15 ATEX 1405X
 Ex de IIC T6...T4 Gb
 Ex tb IIIC T85°C...T135°C Db IP66
 IECEX UL 15.0054X
 Ambient Range: -50°C ≤ Ta ≤ 60°C

cULus Certified

Class I, Zone 1, AEx de IIC T6...T4 Gb / Ex de IIC T6...T4 Gb X
 Zone 21, AEx tb IIIC T85°C...T135°C Db IP66 / Ex tb IIIC T85°C...T135°C Db IP66 X
 Class I, Division 2, Groups A, B, C, D
 Class II, Division 1, Groups E, F, G (Canada Only)
 Class II, Division 2, Groups E, F, G
 Class III
 UL50, 50E, 508, UL60079-0, -1, -7, -31
 Type 3, 4, 4X, 12, 13
 Ambient Range: -50°C ≤ Ta ≤ 60°C

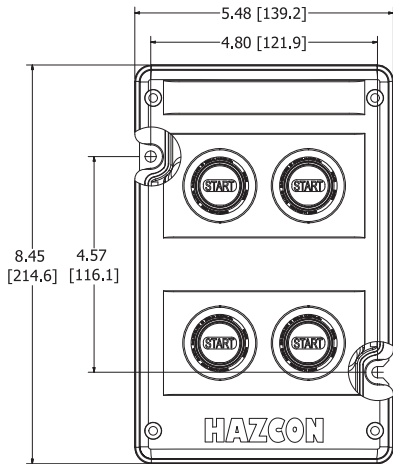


FEATURES-SPECIFICATIONS

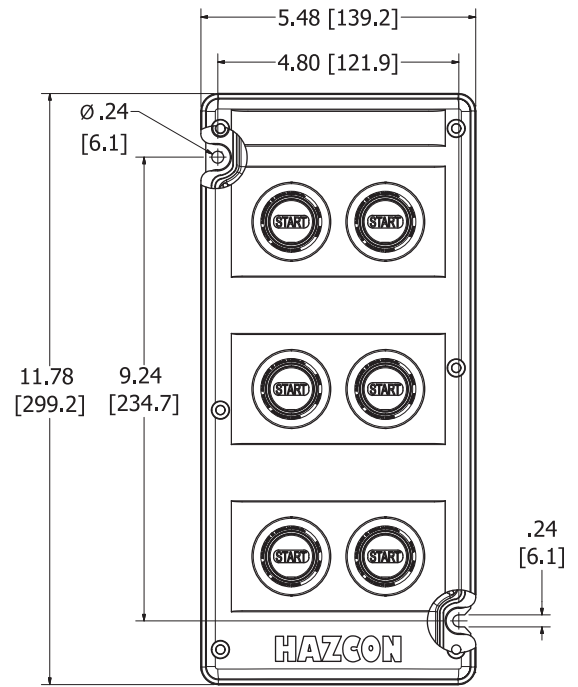
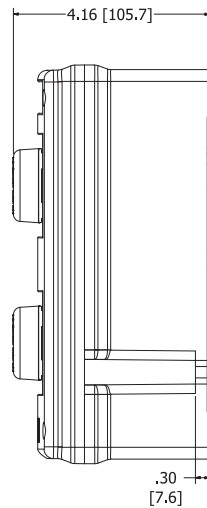
HAZCON™

Size 2a and 2c control stations can be factory ordered to include combinations of pilot lights, push buttons, rotary selector switches, ammeters and terminal blocks.

Entry holes can be located on all sides.



Size 2a



Size 2c
(Depth same as 2a)

CLEARANCE HOLE FOR NPT FITTING	LOGIC CODE	CLEARANCE HOLE FOR METRIC FITTING	LOGIC CODE	DRILLED & TAPPED FOR METRIC FITTING	LOGIC CODE
1/2" TOP FEED	7	2 X M20 TOP FEED	F	2 X M20 BOTTOM FEED	T
1/2" BOTTOM FEED	1	2 X M20 BOTTOM FEED	D	2 X M25 BOTTOM FEED	U
1/2" FEED THROUGH	4	2 X M20 FEED THROUGH	E	M32 BOTTOM FEED	V
3/4" TOP FEED	8	2 X M25 TOP FEED	M		
3/4" BOTTOM FEED	2	2 X M25 BOTTOM FEED	K		
3/4" FEED THROUGH	5	2 X M25 FEED THROUGH	L		
		M32 TOP FEED	Q		
		M32 BOTTOM FEED	N		
		M32 FEED THROUGH	P		

Entry sizes available:
 Clearance hole sizes for 1/2" and 3/4" NPT
 Clearance hole sizes for M20, M25 and M32
 Drilled and tapped holes for M20, M25 and M32

CONTROLS

HKH SERIES



SIZE 1 NON-METALLIC 2 POLE ROCKER SWITCH



ATEX/IECEX Certified

CE 0518 Ex II 2 G Ex de IIC T6...T4 Gb
 CE 0518 Ex II 2 D Ex tb IIC T6...T4 Db IP66
DEMKO 15 ATEX 1405X
 Ex de IIC T6...T4 Gb
 Ex tb IIC T85°C...T135°C Db IP66
 IECEX UL 15.0054X
 Ambient Range: -50°C ≤ Ta ≤ 60°C

cULus Certified

Class I, Zone 1, AEx de IIC T6...T4 Gb / Ex de IIC T6...T4 Gb X
 Zone 21, AEx tb IIC T85°C...T135°C Db IP66 / Ex tb IIC T85°C...T135°C Db IP66 X
 Class I, Division 2, Groups A, B, C, D
 Class II, Division 1, Groups E, F, G (Canada Only)
 Class II, Division 2, Groups E, F, G
 Class III
 UL50, 50E, 508, UL60079-0, -1, -7, -31
 Type 3, 4, 4X, 12, 13
 Ambient Range: -50°C ≤ Ta ≤ 60°C



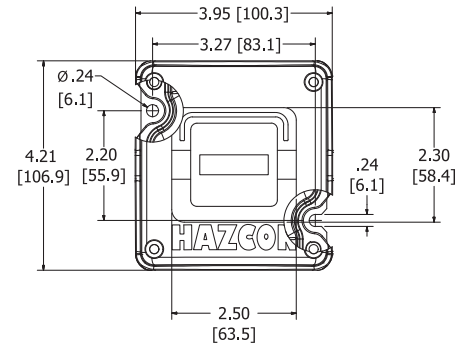
FEATURES-SPECIFICATIONS

HAZCON™

Rocker Switch Single Throw Double Pole
 Luminous fluorescent strip supplied for ease of locating.
 One entry listed is located at bottom.

Contact Block Features:

- **UL Electrical Rating:** 690Vac, 20A, 50-60Hz, 60Vdc, 5A, 110Vdc, 2A, 255Vdc, 1.5A, 1/2 HP @120Vac, 1 HP@208/240/277Vac, A600/P600- Pilot Duty 350Vac- Tungsten Lamp.
- **Wire Allowances:** WIRE RANGE with 1 or 2 WIRES: #22 to #12 AWG (SOL & STR) and #10 AWG (STR).
- **IEC Electrical Ratings:** AC690V 16A AC-12, 50-60 Hz, AC230V 16A AC-15, 50-60Hz, DC60V 5A DC-12, DC125 1A DC-13.
- **Wire Allowances:** WIRE RANGE with 1 or 2 WIRES: 0.5 to 2.5mm (SOL & STR) and 4.0mm² (STR)
- Silver Alloy contacts with Gold Flashing.



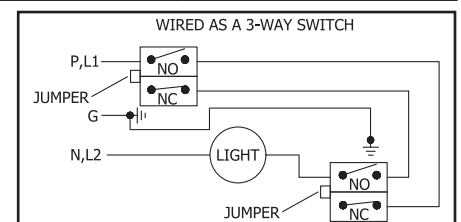
Enclosure depth 4.5" (114mm)

HKH ROCKER SWITCH MAINTAINED IN 2 POSITIONS				
CATALOG NUMBER ^① DIN RAIL MOUNT	ENTRY SIZE	CONTACT ARRANGEMENT		CONTACT BLOCKS
		IEC	NEMA	
HKH1AND2RS4K8	3/4" NPT SS HUB			2 N.O.
HKH1ANDARS4	M20 CLEARANCE HOLE			

HKH ROCKER SWITCH MAINTAINED IN 2 POSITIONS				
CATALOG NUMBER ^① DIN RAIL MOUNT	ENTRY SIZE	CONTACT ARRANGEMENT		CONTACT BLOCKS
		IEC	NEMA	
HKH1AND2RS1K8	3/4" NPT SS HUB		^②	1 N.C. / 1 N.O.
HKH1ANDARS1	M20 CLEARANCE HOLE			

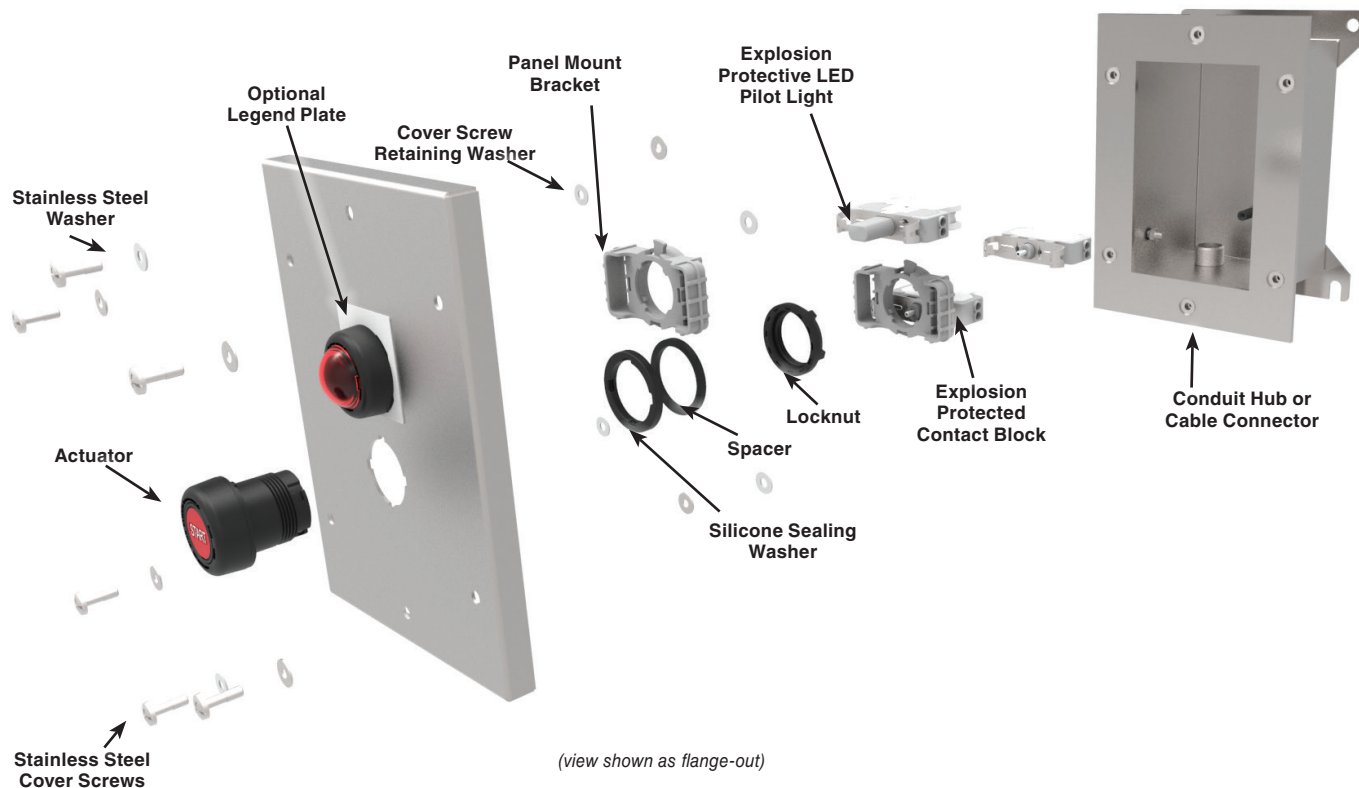
① For Size 1b enclosure change 1A to 1B.

② Can be wired as 3 way switch when jumper installed. See instruction sheet supplied with switch enclosure.





STAINLESS STEEL PANEL MOUNT



Applications

- Hazardous and corrosive environments due to the presence of flammable gases or vapors, combustible dusts or ignitable fiber or flyings.
- Installations at petroleum refineries, chemical and petrochemical plants and other processing or storage facilities where similar hazards exist.
- Use in conjunction with motor starters or contactors for remote control of motors.

Materials

- 316 Stainless Steel also available with a Standard internal flange and an external flange version when additional access is required.
- Silicone gasketing on all enclosures and operators throughout.

Features

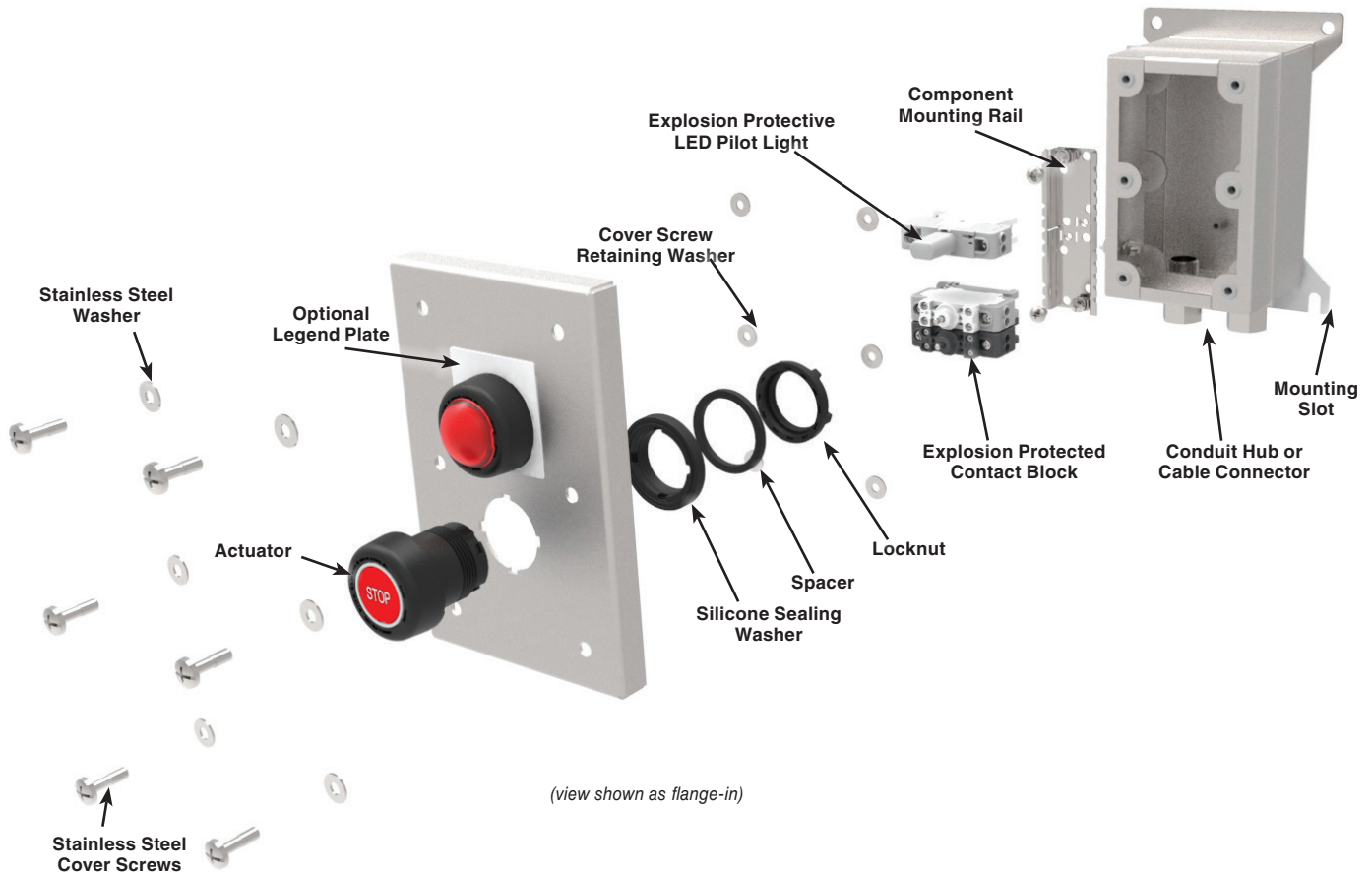
- Size 1 Control Stations available as 1a, 1b, & 1c as standard catalog number offerings for 1, 2 & 3 device openings and will accept 2-M20 entries in either end. Ammeters available in 1b & 1c. Size 2 Enclosures available as 2a & 2c for 2, 4 & 6 device entries in cover with ability to accept 2-M25 entries in either end.
- Operating Temperature of -50°C to +60°C
- Explosion Protected contact blocks 690VAC N.O. & N.C. capable of 20 Amps for Switching Duty and HP Ratings up to 1HP.
- LED Pilot Light modules for 12-250V AC/DC for UL applications. 12-254V AC/DC for IEC applications.
- Contacts & Pilot lights can be mounted inside enclosure on Din Rail or in cover to the actuator.
- Accessories available for Lockout/Tag Out functions made in 316 stainless steel.

Complies with RoHS, WEEE, ATEX, EMC and Low Voltage directives.





STAINLESS STEEL DIN RAIL MOUNT

**Applications**

- Hazardous and corrosive environments due to the presence of flammable gases or vapors, combustible dusts or ignitable fiber or flyings.
- Installations at petroleum refineries, chemical and petrochemical plants and other processing or storage facilities where similar hazards exist.
- Use in conjunction with motor starters or contactors for remote control of motors.

Materials

- 316 Stainless Steel also available with a Standard internal flange and an external flange version when additional access is required.
- Silicone gasketing on all enclosures and operators throughout.

Features

- Size 1 Control Stations available as 1a, 1b, & 1c as standard catalog number offerings for 1, 2 & 3 device openings and will accept 2-M20 entries in either end. Ammeters available in 1b & 1c. Size 2 Enclosures available as 2a & 2c for 2, 4 & 6 device entries in cover with ability to accept 2-M25 entries in either end.
- Operating Temperature of -50°C to +60°C
- Explosion Protected contact blocks 690VAC N.O. & N.C. capable of 20 Amps for Switching Duty and HP Ratings up to 1HP.
- LED Pilot Light modules for 12-250V AC/DC for UL applications. 12-254V AC/DC for IEC applications.
- Contacts & Pilot lights can be mounted inside enclosure on Din Rail or in cover to the actuator.
- Accessories available for Lockout/Tag Out functions made in 316 stainless steel.

Complies with RoHS, WEEE, ATEX, EMC and Low Voltage directives.



IEEx 16.0079 INMETRO



TR RU C-US.MI062.B.04167



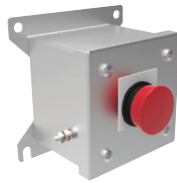
CSA 17.70126964



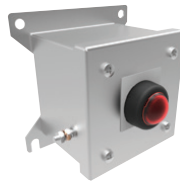
STANDARD SIZE 1a STAINLESS STEEL CONFIGURATIONS



Momentary Push Button



Momentary & Maintained Mushroom P.B.



Pilot Light

ATEX/IECEX Certified

CE 0518 II 2 G Ex de IIC T6...T4 Gb
 0518 II 2 D Ex tb IIIC T6...T4 Db IP66
DEMKO 15 ATEX 1405X
 Ex de IIC T6...T4 Gb
 Ex tb IIIC T85°C...T135°C Db IP66
 IECEX UL 15.0054X
 Ambient Range: -50°C ≤ Ta ≤ 60°C

cULus Certified

Class I, Zone 1, AEx de IIC T6...T4 Gb / Ex de IIC T6...T4 Gb X
 Zone 21, AEx tb IIIC T85°C...T135°C Db IP66 / Ex tb IIIC T85°C...T135°C Db IP66 X
 Class I, Division 2, Groups A, B, C, D
 Class II, Division 1, Groups E, F, G (Canada Only)
 Class II, Division 2, Groups E, F, G
 Class III
 UL50, 50E, 508, UL60079-0, -1, -7, -31
 Type 3, 4, 4X, 12, 13
 Ambient Range: -50°C ≤ Ta ≤ 60°C



STAINLESS ENCL. ONLY
 CLASS II, DIV. 1, GRPS. E, F, G



FEATURES-SPECIFICATIONS

HAZCON™

The control stations on this page are the most commonly used configurations of pilot lights and push buttons.

One entry hole listed is located at bottom.

HKH MOMENTARY SINGLE PUSH BUTTON							
CATALOG NUMBER		ENTRY SIZE	CONTACT ARRANGEMENT		CONTACT BLOCKS	BUTTON COLOR	LEGEND PLATE MARKING
DIN RAIL MOUNT	PANEL MOUNT		IEC	NEMA			
HKH1ASD2P11K8	HKH1ASP2P11K8	3/4" NPT SS HUB			1 N.O. / 1 N.C.	GREEN: START/(I)/BLANK RED: STOP/(O)/BLANK BLACK: BLANK	NONE
HKH1ASDAP11	HKH1ASPAP11	M20 CLEARANCE HOLE					
SUPPLIED WITH 7 COLORED AND MARKED DISCS – SEE BUTTON COLOR							

HKH MOMENTARY SINGLE PUSH BUTTON - MUSHROOM							
CATALOG NUMBER		ENTRY SIZE	CONTACT ARRANGEMENT		CONTACT BLOCKS	BUTTON COLOR	LEGEND PLATE MARKING
DIN RAIL MOUNT	PANEL MOUNT		IEC	NEMA			
HKH1ASD2M11BK8	HKH1ASP2M11BK8	3/4" NPT SS HUB			1 N.O. / 1 N.C.	RED	STOP
HKH1ASD2M21AK8	HKH1ASP2M21AK8					GREEN	START
HKH1ASD2M310K8	HKH1ASP2M310K8					BLACK	BLANK
HKH1ASDAM11B	HKH1ASPAM11B	M20 CLEARANCE HOLE			1 N.O. / 1 N.C.	RED	STOP
HKH1ASDAM21A	HKH1ASPAM21A					GREEN	START
HKH1ASDAM310	HKH1ASPAM310					BLACK	BLANK

HKH MAINTAINED SINGLE PUSH PULL BUTTON - MUSHROOM							
CATALOG NUMBER		ENTRY SIZE	CONTACT ARRANGEMENT		CONTACT BLOCKS	BUTTON COLOR	LEGEND PLATE MARKING
DIN RAIL MOUNT	PANEL MOUNT		IEC	NEMA			
HKH1ASD2M41BK8	HKH1ASP2M41BK8	3/4" NPT SS HUB			1 N.O. / 1 N.C.	RED	STOP
HKH1ASD2M51AK8	HKH1ASP2M51AK8					GREEN	START
HKH1ASD2M610K8	HKH1ASP2M610K8					BLACK	BLANK
HKH1ASDAM41B	HKH1ASPAM41B	M20 CLEARANCE HOLE			1 N.O. / 1 N.C.	RED	STOP
HKH1ASDAM51A	HKH1ASPAM51A					GREEN	START
HKH1ASDAM610	HKH1ASPAM610					BLACK	BLANK

HKH SINGLE PILOT LIGHT								
3/4" NPT SS HUB SUPPLIED		M20 CLEARANCE HOLE SUPPLIED		CONTACT ARRANGEMENT		LAMP VOLTAGE	COLOR	LEGEND PLATE MARKING
DIN RAIL MOUNT	PANEL MOUNT	DIN RAIL MOUNT	PANEL MOUNT	IEC	NEMA			
HKH1ASD2LRL0K8	HKH1ASP2LRL0K8	HKH1ASDALRLO	HKH1ASPALRLO			12V-254V AC/DC IEC EX 12V-250V AC/DC UL	RED LED	BLANK
HKH1ASD2LGL0K8	HKH1ASP2LGL0K8	HKH1ASDALGLO	HKH1ASPALGLO				GREEN LED	
HKH1ASD2LAL0K8	HKH1ASP2LAL0K8	HKH1ASDALALO	HKH1ASPALALO				AMBER LED	
HKH1ASD2LCL0K8	HKH1ASP2LCL0K8	HKH1ASDALCLO	HKH1ASPALCLO				CLEAR LED	
HKH1ASD2LBL0K8	HKH1ASP2LBL0K8	HKH1ASDALBLO	HKH1ASPALBLO				BLUE LED	

CONTROLS

HKH SERIES



STANDARD SIZE 1a STAINLESS STEEL CONFIGURATIONS



**Maintained
Mushroom P.B.
Pull Release**



**Maintained
Mushroom P.B.
Twist Release**



**Double
Momentary
Push Button**

ATEX/IECEX Certified

CE 0518 II 2 G Ex de IIC T6...T4 Gb
0518 II 2 D Ex tb IIIC T6...T4 Db IP66

DEMKO 15 ATEX 1405X

Ex de IIC T6...T4 Gb

Ex tb IIIC T85°C...T135°C Db IP66

IECEX UL 15.0054X

Ambient Range: -50°C ≤ Ta ≤ 60°C

cULus Certified

Class I, Zone 1, AEx de IIC T6...T4 Gb / Ex de IIC T6...T4 Gb X

Zone 21, AEx tb IIIC T85°C...T135°C Db IP66 / Ex tb IIIC T85°C...T135°C Db IP66 X

Class I, Division 2, Groups A, B, C, D

Class II, Division 1, Groups E, F, G (Canada Only)

Class II, Division 2, Groups E, F, G

Class III

UL50, 50E, 508, UL60079-0, -1, -7, -31

Type 3, 4, 4X, 12, 13

Ambient Range: -50°C ≤ Ta ≤ 60°C



STAINLESS ENCL. ONLY
CLASS II, DIV. 1, GRPS. E,F,G



FEATURES-SPECIFICATIONS

HAZCON™

The control stations on this page are the most commonly used configurations of mushroom push buttons and double push button.

One entry listed is located at bottom.

HKH MAINTAINED MUSHROOM STAY PUT E-STOP							
CATALOG NUMBER		ENTRY SIZE	CONTACT ARRANGEMENT		CONTACT BLOCKS	BUTTON COLOR	LEGEND PLATE MARKING
DIN RAIL MOUNT	PANEL MOUNT		IEC	NEMA			
HKH1ASD2M41EK8 (PULL RELEASE)	HKH1ASP2M41EK8 (PULL RELEASE)	3/4" NPT SS HUB			1 N.O. / 1 N.C.	RED	EMERGENCY STOP
HKH1ASD2M71EK8 (TWIST RELEASE)	HKH1ASP2M71EK8 (TWIST RELEASE)						
HKH1ASDAM41E (PULL RELEASE)	HKH1ASPAM41E (PULL RELEASE)	M20 CLEARANCE HOLE			1 N.O. / 1 N.C.	RED	EMERGENCY STOP
HKH1ASDAM71E (TWIST RELEASE)	HKH1ASPAM71E (TWIST RELEASE)						

HKH DOUBLE MOMENTARY PUSH BUTTON, 1 N.O. START/1 N.C. STOP							
CATALOG NUMBER		ENTRY SIZE	CONTACT ARRANGEMENT		CONTACT BLOCKS	BUTTON COLOR	LEGEND PLATE MARKING
DIN RAIL MOUNT	PANEL MOUNT		IEC	NEMA			
HKH1ASD2P21K8	HKH1ASP2P21K8	3/4" NPT SS HUB			1 N.O. / 1 N.C.	GREEN/ START/(I) RED/STOP/(O) BLACK	—
HKH1ASDAP21	HKH1ASPAP21	M20 CLEARANCE HOLE					



HKH SERIES

KILLARK

STANDARD SIZE 1a STAINLESS STEEL CONFIGURATIONS



2 Position
Selector Switch Maint. & Mom.



3 Position
Selector Switch Maint. & Mom.

FEATURES-SPECIFICATIONS

HAZCON™

The control stations on this page are the most commonly used configurations of rotary selector switches.

One entry hole listed is located at bottom.

ATEX/IECEX Certified

CE 0518 II 2 G Ex de IIC T6...T4 Gb
 CE 0518 II 2 D Ex tb IIIC T6...T4 Db IP66
DEMKO 15 ATEX 1405X
 Ex de IIC T6...T4 Gb
 Ex tb IIIC T85°C...T135°C Db IP66
 IECEX UL 15.0054X
 Ambient Range: -50°C ≤ Ta ≤ 60°C

cULus Certified

Class I, Zone 1, AEx de IIC T6...T4 Gb / Ex de IIC T6...T4 Gb X
 Zone 21, AEx tb IIIC T85°C...T135°C Db IP66 / Ex tb IIIC T85°C...T135°C Db IP66 X
 Class I, Division 2, Groups A, B, C, D
 Class II, Division 1, Groups E, F, G (Canada Only)
 Class II, Division 2, Groups E, F, G
 Class III
UL50, 50E, 508, UL60079-0, -1, -7, -31
 Type 3, 4, 4X, 12, 13
 Ambient Range: -50°C ≤ Ta ≤ 60°C



STAINLESS ENCL. ONLY
 CLASS II, DIV. 1, GRPS. E, F, G



HKH MAINTAINED 2-POSITION SELECTOR SWITCH						
CATALOG NUMBER		ENTRY SIZE	CONTACT ARRANGEMENT		CONTACT BLOCKS	LEGEND PLATE MARKING
DIN RAIL MOUNT	PANEL MOUNT		IEC	NEMA		
HKH1ASD2S11SK8	HKH1ASP2S11SK8	3/4" NPT SS HUB		OFF ON	1 N.C. / 1 N.O.	OFF-ON
HKH1ASDAS11S	HKH1ASPAS11S	M20 CLEARANCE HOLE				
HKH 2-POSITION SELECTOR SWITCH SPRING RETURN, MOM. RIGHT, MAINT. LEFT						
CATALOG NUMBER		ENTRY SIZE	CONTACT ARRANGEMENT		CONTACT BLOCKS	LEGEND PLATE MARKING
DIN RAIL MOUNT	PANEL MOUNT		IEC	NEMA		
HKH1ASD2S210K8	HKH1ASP2S210K8	3/4" NPT SS HUB			1 N.C. / 1 N.O.	BLANK
HKH1ASDAS210	HKH1ASPAS210	M20 CLEARANCE HOLE				
HKH MAINTAINED 3-POSITION SELECTOR SWITCH INDEPENDENT CAM						
CATALOG NUMBER		ENTRY SIZE	CONTACT ARRANGEMENT		CONTACT BLOCKS	LEGEND PLATE MARKING
DIN RAIL MOUNT	PANEL MOUNT		IEC	NEMA		
HKH1ASD2S349K8	HKH1ASP2S349K8	3/4" NPT SS HUB		HAND OFF AUTO 	2 N.O.	HAND-OFF-AUTO
HKH1ASDAS349	HKH1ASPAS349	M20 CLEARANCE HOLE				
HKH 3-POSITION SELECTOR SWITCH SPRING RETURN, MOM. LEFT & RIGHT, MAINT. CENTER						
CATALOG NUMBER		ENTRY SIZE	CONTACT ARRANGEMENT		CONTACT BLOCKS	LEGEND PLATE MARKING
DIN RAIL MOUNT	PANEL MOUNT		IEC	NEMA		
HKH1ASD2S440K8	HKH1ASP2S440K8	3/4" NPT SS HUB			2 N.O.	BLANK
HKH1ASDAS440	HKH1ASPAS440	M20 CLEARANCE HOLE				
HKH 3-POSITION SELECTOR SWITCH SPRING RETURN, MOM. RIGHT, MAINT. CENTER & LEFT						
CATALOG NUMBER		ENTRY SIZE	CONTACT ARRANGEMENT		CONTACT BLOCKS	LEGEND PLATE MARKING
DIN RAIL MOUNT	PANEL MOUNT		IEC	NEMA		
HKH1ASD2S540K8	HKH1ASP2S540K8	3/4" NPT SS HUB			2 N.O.	BLANK
HKH1ASDAS540	HKH1ASPAS540	M20 CLEARANCE HOLE				
HKH 3-POSITION SELECTOR SWITCH SPRING RETURN, MOM. LEFT, MAINT. CENTER & RIGHT						
CATALOG NUMBER		ENTRY SIZE	CONTACT ARRANGEMENT		CONTACT BLOCKS	LEGEND PLATE MARKING
DIN RAIL MOUNT	PANEL MOUNT		IEC	NEMA		
HKH1ASD2S640K8	HKH1ASP2S640K8	3/4" NPT SS HUB			2 N.O.	BLANK
HKH1ASDAS640	HKH1ASPAS640	M20 CLEARANCE HOLE				

CONTROLS

HKH SERIES



STANDARD SIZE 1a STAINLESS STEEL CONFIGURATIONS



2 Position
Key Selector SWT Maint. & Mom.



3 Position
Key Selector SWT Maint. & Mom.

FEATURES-SPECIFICATIONS

HAZCON™

The control stations on this page are the most commonly used configurations of keyed rotary selector switches.

One entry hole listed is located at bottom.

ATEX/IECEX Certified

CE 0518 Ex II 2 G Ex de IIC T6...T4 Gb
CE 0518 Ex II 2 D Ex tb IIIC T6...T4 Db IP66

DEMKO 15 ATEX 1405X

Ex de IIC T6...T4 Gb

Ex tb IIIC T85°C...T135°C Db IP66

IECEX UL 15.0054X

Ambient Range: -50°C ≤ Ta ≤ 60°C

cULus Certified

Class I, Zone 1, AEx de IIC T6...T4 Gb / Ex de IIC T6...T4 Gb X

Zone 21, AEx tb IIIC T85°C...T135°C Db IP66 / Ex tb IIIC T85°C...T135°C Db IP66 X

Class I, Division 2, Groups A, B, C, D

Class II, Division 1, Groups E, F, G (Canada Only)

Class II, Division 2, Groups E, F, G

Class III

UL50, 50E, 508, UL60079-0, -1, -7, -31

Type 3, 4, 4X, 12

Ambient Range: -50°C ≤ Ta ≤ 60°C



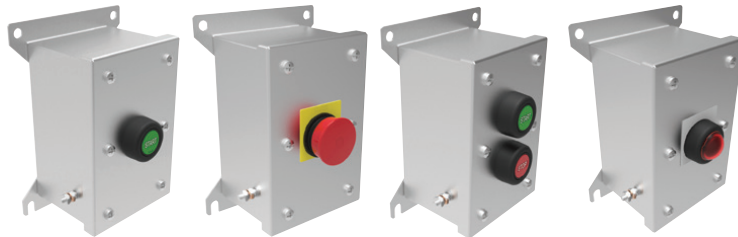
STAINLESS ENCL. ONLY
CLASS II, DIV. 1, GRPS. E, F, G



HKH MAINTAINED 2-POSITION KEYED SELECTOR SWITCH						
CATALOG NUMBER		ENTRY SIZE	CONTACT ARRANGEMENT		CONTACT BLOCKS	LEGEND PLATE MARKING
DIN RAIL MOUNT	PANEL MOUNT		IEC	NEMA		
HKH1ASD2K11SK8	HKH1ASP2K11SK8	3/4" NPT SS HUB			1 N.C. / 1 N.O.	OFF-ON
HKH1ASDAK11S	HKH1ASPAK11S	M20 CLEARANCE HOLE				
HKH 2-POSITION KEYED SELECTOR SWITCH SPRING RETURN, MOM. RIGHT, MAINT. LEFT						
CATALOG NUMBER		ENTRY SIZE	CONTACT ARRANGEMENT		CONTACT BLOCKS	LEGEND PLATE MARKING
DIN RAIL MOUNT	PANEL MOUNT		IEC	NEMA		
HKH1ASD2K210K8	HKH1ASP2K210K8	3/4" NPT SS HUB			1 N.C. / 1 N.O.	BLANK
HKH1ASDAK210	HKH1ASPAK210	M20 CLEARANCE HOLE				
HKH MAINTAINED 3-POSITION KEYED SELECTOR SWITCH INDEPENDENT CAM						
CATALOG NUMBER		ENTRY SIZE	CONTACT ARRANGEMENT		CONTACT BLOCKS	LEGEND PLATE MARKING
DIN RAIL MOUNT	PANEL MOUNT		IEC	NEMA		
HKH1ASD2K349K8	HKH1ASP2K349K8	3/4" NPT SS HUB			2 N.O.	HAND-OFF-AUTO
HKH1ASDAK349	HKH1ASPAK349	M20 CLEARANCE HOLE				
HKH 3-POSITION KEYED SELECTOR SWITCH SPRING RETURN, MOM. LEFT & RIGHT, MAINT. CENTER						
CATALOG NUMBER		ENTRY SIZE	CONTACT ARRANGEMENT		CONTACT BLOCKS	LEGEND PLATE MARKING
DIN RAIL MOUNT	PANEL MOUNT		IEC	NEMA		
HKH1ASD2K440K8	HKH1ASP2K440K8	3/4" NPT SS HUB			2 N.O.	BLANK
HKH1ASDAK440	HKH1ASPAK440	M20 CLEARANCE HOLE				
HKH 3-POSITION KEYED SELECTOR SWITCH SPRING RETURN, MOM. RIGHT, MAINT. CENTER & LEFT						
CATALOG NUMBER		ENTRY SIZE	CONTACT ARRANGEMENT		CONTACT BLOCKS	LEGEND PLATE MARKING
DIN RAIL MOUNT	PANEL MOUNT		IEC	NEMA		
HKH1ASD2K540K8	HKH1ASP2K540K8	3/4" NPT SS HUB			2 N.O.	BLANK
HKH1ASDAK540	HKH1ASPAK540	M20 CLEARANCE HOLE				
HKH 3-POSITION KEYED SELECTOR SWITCH SPRING RETURN, MOM. LEFT, MAINT. CENTER & RIGHT						
CATALOG NUMBER		ENTRY SIZE	CONTACT ARRANGEMENT		CONTACT BLOCKS	LEGEND PLATE MARKING
DIN RAIL MOUNT	PANEL MOUNT		IEC	NEMA		
HKH1ASD2K640K8	HKH1ASP2K640K8	3/4" NPT SS HUB			2 N.O.	BLANK
HKH1ASDAK640	HKH1ASPAK640	M20 CLEARANCE HOLE				



STANDARD SIZE 1b STAINLESS STEEL CONFIGURATIONS*



Momentary Push Button

Momentary Mushroom P.B.

Momentary Start-Stop Push Buttons

Pilot Light

ATEX/IECEX Certified

CE 0518 II 2 G Ex de IIC T6...T4 Gb
 0518 II 2 D Ex tb IIIC T6...T4 Db IP66
DEMKO 15 ATEX 1405X
 Ex de IIC T6...T4 Gb
 Ex tb IIIC T85°C...T135°C Db IP66
 IECEX UL 15.0054X
 Ambient Range: -50°C ≤ Ta ≤ 60°C

cULus Certified

Class I, Zone 1, AEx de IIC T6...T4 Gb / Ex de IIC T6...T4 Gb X
 Zone 21, AEx tb IIIC T85°C...T135°C Db IP66 / Ex tb IIIC T85°C...T135°C Db IP66 X
 Class I, Division 2, Groups A, B, C, D
 Class II, Division 1, Groups E, F, G (Canada Only)
 Class II, Division 2, Groups E, F, G
 Class III
 UL50, 50E, 508, UL60079-0, -1, -7, -31
 Type 3, 4, 4X, 12, 13
 Ambient Range: -50°C ≤ Ta ≤ 60°C



STAINLESS ENCL. ONLY
 CLASS II, DIV. 1, GRPS. E, F, G



FEATURES-SPECIFICATIONS

HAZCON™

The control stations on this page are the most commonly used configurations, including combinations of pilot lights and push buttons.

One entry hole listed is located at bottom.

HKH MOMENTARY SINGLE PUSH BUTTON							
CATALOG NUMBER		ENTRY SIZE	CONTACT ARRANGEMENT		CONTACT BLOCKS	BUTTON COLOR	LEGEND PLATE MARKING
DIN RAIL MOUNT	PANEL MOUNT		IEC	NEMA			
HKH1BSD2P11K8	HKH1BSP2P11K8	3/4" NPT SS HUB			1 N.O. / 1 N.C.	GREEN: START/(I)/BLANK RED: STOP/(O)/BLANK BLACK: BLANK	NONE
HKH1BSDAP11	HKH1BSPAP11	M20 CLEARANCE HOLE					
SUPPLIED WITH 7 COLORED AND MARKED DISCS – SEE BUTTON COLOR							

HKH MOMENTARY SINGLE PUSH BUTTON - MUSHROOM							
CATALOG NUMBER		ENTRY SIZE	CONTACT ARRANGEMENT		CONTACT BLOCKS	BUTTON COLOR	LEGEND PLATE MARKING
DIN RAIL MOUNT	PANEL MOUNT		IEC	NEMA			
HKH1BSD2M11BK8	HKH1BSP2M11BK8	3/4" NPT SS HUB			1 N.O. / 1 N.C.	RED	STOP
HKH1BSD2M21AK8	HKH1BSP2M21AK8					GREEN	START
HKH1BSD2M31OK8	HKH1BSP2M31OK8					BLACK	BLANK
HKH1BSDAM11B	HKH1BSPAM11B	M20 CLEARANCE HOLE			1 N.O. / 1 N.C.	RED	STOP
HKH1BSDAM21A	HKH1BSPAM21A					GREEN	START
HKH1BSDAM31O	HKH1BSPAM31O					BLACK	BLANK

HKH DOUBLE MOMENTARY START-STOP PUSH BUTTONS							
CATALOG NUMBER ^①		ENTRY SIZE	CONTACT ARRANGEMENT		CONTACT BLOCKS	BUTTON COLOR	LEGEND PLATE MARKING
DIN RAIL MOUNT	PANEL MOUNT		IEC	NEMA			
HKH1BSD2P11P11K8	HKH1BEP2P11P11K8	3/4" NPT SS HUB			1 N.O. / 1 N.C.	GREEN, START, (I) RED, STOP, (O)	—
HKH1BSDAP11P11	HKH1BEPAP11P11	M20 CLEARANCE HOLE			1 N.O. / 1 N.C.		

HKH SINGLE PILOT LIGHT								
3/4" NPT SS HUB SUPPLIED		M20 CLEARANCE HOLE SUPPLIED		CONTACT ARRANGEMENT		LAMP VOLTAGE	COLOR	LEGEND PLATE MARKING
DIN RAIL MOUNT	PANEL MOUNT	DIN RAIL MOUNT	PANEL MOUNT	IEC	NEMA			
HKH1BSD2LRLOK8	HKH1BSP2LRLOK8	HKH1BSDALRLO	HKH1BSPALRLO			12V-254V AC/DC IEC EX 12V-250V AC/DC UL	RED LED	BLANK
HKH1BSD2LGLOK8	HKH1BSP2LGLOK8	HKH1BSDALGLO	HKH1BSPALGLO				GREEN LED	
HKH1BSD2LALOK8	HKH1BSP2LALOK8	HKH1BSDALALO	HKH1BSPALALO				AMBER LED	
HKH1BSD2LCLKOK8	HKH1BSP2LCLKOK8	HKH1BSDALCLO	HKH1BSPALCLO				CLEAR LED	
HKH1BSD2LBLOK8	HKH1BSP2LBLOK8	HKH1BSDALBLO	HKH1BSPALBLO				BLUE LED	

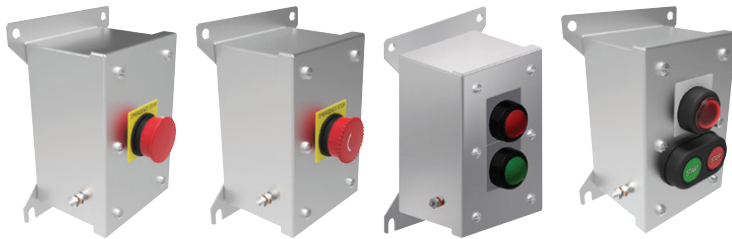
① Din Rail mount assemblies supplied in Flange In type enclosures.(S) Panel mount assemblies supplied with Flange Out enclosures.(E)

CONTROLS

HKH SERIES



STANDARD SIZE 1b STAINLESS STEEL CONFIGURATIONS*



Maintained Mushroom P.B. Pull Release

Maintained Mushroom P.B. Twist Release

Double Pilot Light

Pilot Light & Double Momentary Push Button

ATEX/IECEX Certified

CE 0518 Ex II 2 G Ex de IIC T6...T4 Gb
0518 Ex II 2 D Ex tb IIIC T6...T4 Db IP66

DEMKO 15 ATEX 1405X

Ex de IIC T6...T4 Gb

Ex tb IIIC T85°C...T135°C Db IP66

IECEX UL 15.0054X

Ambient Range: -50°C ≤ Ta ≤ 60°C

cULus Certified

Class I, Zone 1, AEx de IIC T6...T4 Gb / Ex de IIC T6...T4 Gb X

Zone 21, AEx tb IIIC T85°C...T135°C Db IP66 / Ex tb IIIC T85°C...T135°C Db IP66 X

Class I, Division 2, Groups A, B, C, D

Class II, Division 1, Groups E, F, G (Canada Only)

Class II, Division 2, Groups E, F, G

Class III

UL50, 50E, 508, UL60079-0, -1, -7, -31

Type 3, 4, 4X, 12, 13

Ambient Range: -50°C ≤ Ta ≤ 60°C



STAINLESS ENCL. ONLY
CLASS II, DIV. 1, GRPS. E,F,G



FEATURES-SPECIFICATIONS

HAZCON™

The control stations on this page are the most commonly used configurations, including combinations of pilot lights and push buttons.

One entry listed is located at bottom.

HKH MAINTAINED MUSHROOM STAY PUT E-STOP							
CATALOG NUMBER		ENTRY SIZE	CONTACT ARRANGEMENT		CONTACT BLOCKS	BUTTON COLOR	LEGEND PLATE MARKING
DIN RAIL MOUNT	PANEL MOUNT		IEC	NEMA			
HKH1BSD2M41EK8 (PULL RELEASE)	HKH1BSP2M41EK8 (PULL RELEASE)	3/4" NPT SS HUB			1 N.O. / 1 N.C.	RED	EMERGENCY STOP
HKH1BSD2M71EK8 (TWIST RELEASE)	HKH1BSP2M71EK8 (TWIST RELEASE)						
HKH1BSDAM41E (PULL RELEASE)	HKH1BSPAM41E (PULL RELEASE)	M20 CLEARANCE HOLE			1 N.O. / 1 N.C.	RED	EMERGENCY STOP
HKH1BSDAM71E (TWIST RELEASE)	HKH1BSPAM71E (TWIST RELEASE)						

HKH MAINTAINED SINGLE PUSH PULL BUTTON - MUSHROOM							
CATALOG NUMBER		ENTRY SIZE	CONTACT ARRANGEMENT		CONTACT BLOCKS	BUTTON COLOR	LEGEND PLATE MARKING
DIN RAIL MOUNT	PANEL MOUNT		IEC	NEMA			
HKH1BSD2M41BK8	HKH1BSP2M41BK8	3/4" NPT SS HUB			1 N.O. / 1 N.C.	RED	STOP
HKH1BSD2M51AK8	HKH1BSP2M51AK8					GREEN	START
HKH1BSD2M61OK8	HKH1BSP2M61OK8					BLACK	BLANK
HKH1BSDAM41B	HKH1BSPAM41B	M20 CLEARANCE HOLE			1 N.O. / 1 N.C.	RED	STOP
HKH1BSDAM51A	HKH1BSPAM51A					GREEN	START
HKH1BSDAM610	HKH1BSPAM610					BLACK	BLANK

HKH DOUBLE PILOT LIGHT								
3/4" NPT SS HUB SUPPLIED ①		M20 CLEARANCE HOLE SUPPLIED ①		CONTACT ARRANGEMENT		LAMP VOLTAGE	COLOR	LEGEND PLATE MARKING
DIN RAIL MOUNT	PANEL MOUNT	DIN RAIL MOUNT	PANEL MOUNT	IEC	NEMA			
HKH1BSD2LRL0LGL0K8	HKH1BEP2LRL0LGL0K8	HKH1BSDALRL0LGL0	HKH1BEPALRL0LGL0			12V-254V AC/DC IEC EX 12V-250V AC/DC UL	RED/GREEN	BLANK
HKH1BSD2LRL0LRL0K8	HKH1BEP2LRL0LRL0K8	HKH1BSDALRL0LRL0	HKH1BEPALRL0LRL0				RED/RED	
HKH1BSD2LGL0LGL0K8	HKH1BEP2LGL0LGL0K8	HKH1BSDALGL0LGL0	HKH1BEPALGL0LGL0				GREEN/GREEN	

HKH DOUBLE MOMENTARY PUSH BUTTON & PILOT LIGHT								
CATALOG NUMBER ①		ENTRY SIZE	CONTACT ARRANGEMENT		LAMP VOLTAGE	CONTACT BLOCKS	BUTTON COLOR	LEGEND PLATE MARKING
DIN RAIL MOUNT	PANEL MOUNT		IEC	NEMA				
HKH1BSD2LRL0P21K8	HKH1BEP2LRL0P21K8	3/4" NPT SS HUB			12V-254V AC/DC IEC EX 12V-250V AC/DC UL	1 N.O. 1 N.C.	GREEN, START, (I)	—
HKH1BSDALRL0P21	HKH1BEPALRL0P21	M20 CLEARANCE HOLE					START	STOP

① Din Rail mount assemblies supplied in Flange In type enclosures.(S) Panel mount assemblies supplied with Flange Out enclosures.(E)



STANDARD SIZE 1b STAINLESS STEEL CONFIGURATIONS



2 Position
Selector Switch
Maint. & Mom.



3 Position
Selector Switch
Maint. & Mom.

FEATURES-SPECIFICATIONS

HAZCON™

The control stations on this page are the most commonly used configurations of rotary selector switches.
One entry listed is located at bottom.

ATEX/IECEX Certified

CE 0518 II 2 G Ex de IIC T6...T4 Gb
0518 II 2 D Ex tb IIIC T6...T4 Db IP66
DEMKO 15 ATEX 1405X
Ex de IIC T6...T4 Gb
Ex tb IIIC T85°C...T135°C Db IP66
IECEX UL 15.0054X
Ambient Range: -50°C ≤ Ta ≤ 60°C

cULus Certified

Class I, Zone 1, AEx de IIC T6...T4 Gb / Ex de IIC T6...T4 Gb X
Zone 21, AEx tb IIIC T85°C...T135°C Db IP66 / Ex tb IIIC T85°C...T135°C Db IP66 X
Class I, Division 2, Groups A, B, C, D
Class II, Division 1, Groups E, F, G (Canada Only)
Class II, Division 2, Groups E, F, G
Class III
UL50, 50E, 508, UL60079-0, -1, -7, -31
Type 3, 4, 4X, 12, 13
Ambient Range: -50°C ≤ Ta ≤ 60°C



STAINLESS ENCL. ONLY
CLASS II, DIV. 1, GRPS. E, F, G



HKH MAINTAINED 2-POSITION SELECTOR SWITCH						
CATALOG NUMBER		ENTRY SIZE	CONTACT ARRANGEMENT		CONTACT BLOCKS	LEGEND PLATE MARKING
DIN RAIL MOUNT	PANEL MOUNT		IEC	NEMA		
HKH1BSD2S11SK8	HKH1BSP2S11SK8	3/4" NPT SS HUB		OFF ON	1 N.C. / 1 N.O.	OFF-ON
HKH1BSDAS11S	HKH1BSPAS11S	M20 CLEARANCE HOLE				
HKH 2-POSITION SELECTOR SWITCH SPRING RETURN, MOM. RIGHT, MAINT. LEFT						
CATALOG NUMBER		ENTRY SIZE	CONTACT ARRANGEMENT		CONTACT BLOCKS	LEGEND PLATE MARKING
DIN RAIL MOUNT	PANEL MOUNT		IEC	NEMA		
HKH1BSD2S210K8	HKH1BSP2S210K8	3/4" NPT SS HUB			1 N.C. / 1 N.O.	BLANK
HKH1BSDAS210	HKH1BSPAS210	M20 CLEARANCE HOLE				
HKH MAINTAINED 3-POSITION SELECTOR SWITCH INDEPENDENT CAM						
CATALOG NUMBER		ENTRY SIZE	CONTACT ARRANGEMENT		CONTACT BLOCKS	LEGEND PLATE MARKING
DIN RAIL MOUNT	PANEL MOUNT		IEC	NEMA		
HKH1BSD2S349K8	HKH1BSP2S349K8	3/4" NPT SS HUB		HAND OFF AUTO	2 N.O.	HAND-OFF-AUTO
HKH1BSDAS349	HKH1BSPAS349	M20 CLEARANCE HOLE				
HKH 3-POSITION SELECTOR SWITCH SPRING RETURN, MOM. LEFT & RIGHT, MAINT. CENTER						
CATALOG NUMBER		ENTRY SIZE	CONTACT ARRANGEMENT		CONTACT BLOCKS	LEGEND PLATE MARKING
DIN RAIL MOUNT	PANEL MOUNT		IEC	NEMA		
HKH1BSD2S440K8	HKH1BSP2S440K8	3/4" NPT SS HUB			2 N.O.	BLANK
HKH1BSDAS440	HKH1BSPAS440	M20 CLEARANCE HOLE				
HKH 3-POSITION SELECTOR SWITCH SPRING RETURN, MOM. RIGHT, MAINT. CENTER & LEFT						
CATALOG NUMBER		ENTRY SIZE	CONTACT ARRANGEMENT		CONTACT BLOCKS	LEGEND PLATE MARKING
DIN RAIL MOUNT	PANEL MOUNT		IEC	NEMA		
HKH1BSD2S540K8	HKH1BSP2S540K8	3/4" NPT SS HUB			2 N.O.	BLANK
HKH1BSDAS540	HKH1BSPAS540	M20 CLEARANCE HOLE				
HKH 3-POSITION SELECTOR SWITCH SPRING RETURN, MOM. LEFT, MAINT. CENTER & RIGHT						
CATALOG NUMBER		ENTRY SIZE	CONTACT ARRANGEMENT		CONTACT BLOCKS	LEGEND PLATE MARKING
DIN RAIL MOUNT	PANEL MOUNT		IEC	NEMA		
HKH1BSD2S640K8	HKH1BSP2S640K8	3/4" NPT SS HUB			2 N.O.	BLANK
HKH1BSDAS640	HKH1BSPAS640	M20 CLEARANCE HOLE				

CONTROLS

HKH SERIES



STANDARD SIZE 1b STAINLESS STEEL CONFIGURATIONS



2 Position
Key Selector Swt
Maint. & Mom.



3 Position
Key Selector Swt
Maint. & Mom.

FEATURES-SPECIFICATIONS **HAZCON™**

The control stations on this page are the most commonly used configurations of keyed rotary selector switches. One entry listed is located at bottom.

ATEX/IECEX Certified

CE 0518 Ex II 2 G Ex de IIC T6...T4 Gb
CE 0518 Ex II 2 D Ex tb IIIC T6...T4 Db IP66

DEMKO 15 ATEX 1405X

Ex de IIC T6...T4 Gb

Ex tb IIIC T85°C...T135°C Db IP66

IECEX UL 15.0054X

Ambient Range: -50°C ≤ Ta ≤ 60°C

cULus Certified

Class I, Zone 1, AEx de IIC T6...T4 Gb / Ex de IIC T6...T4 Gb X

Zone 21, AEx tb IIIC T85°C...T135°C Db IP66 / Ex tb IIIC T85°C...T135°C Db IP66 X

Class I, Division 2, Groups A, B, C, D

Class II, Division 1, Groups E, F, G (Canada Only)

Class II, Division 2, Groups E, F, G

Class III

UL50, 50E, 508, UL60079-0, -1, -7, -31

Type 3, 4, 4X, 12

Ambient Range: -50°C ≤ Ta ≤ 60°C



STAINLESS ENCL. ONLY
CLASS II, DIV. 1, GRPs. E, F, G



HKH MAINTAINED 2-POSITION KEYED SELECTOR SWITCH						
CATALOG NUMBER		ENTRY SIZE	CONTACT ARRANGEMENT		CONTACT BLOCKS	LEGEND PLATE MARKING
DIN RAIL MOUNT	PANEL MOUNT		IEC	NEMA		
HKH1BSD2K11SK8	HKH1BSP2K11SK8	3/4" NPT SS HUB			1 N.C. / 1 N.O.	OFF-ON
HKH1BSDAK11S	HKH1BSPAK11S	M20 CLEARANCE HOLE				
HKH 2-POSITION KEYED SELECTOR SWITCH SPRING RETURN, MOM. RIGHT, MAINT. LEFT						
CATALOG NUMBER		ENTRY SIZE	CONTACT ARRANGEMENT		CONTACT BLOCKS	LEGEND PLATE MARKING
DIN RAIL MOUNT	PANEL MOUNT		IEC	NEMA		
HKH1BSD2K210K8	HKH1BSP2K210K8	3/4" NPT SS HUB			1 N.C. / 1 N.O.	BLANK
HKH1BSDAK210	HKH1BSPAK210	M20 CLEARANCE HOLE				
HKH MAINTAINED 3-POSITION KEYED SELECTOR SWITCH INDEPENDENT CAM						
CATALOG NUMBER		ENTRY SIZE	CONTACT ARRANGEMENT		CONTACT BLOCKS	LEGEND PLATE MARKING
DIN RAIL MOUNT	PANEL MOUNT		IEC	NEMA		
HKH1BSD2K349K8	HKH1BSP2K349K8	3/4" NPT SS HUB			2 N.O.	HAND-OFF-AUTO
HKH1BSDAK349	HKH1BSPAK349	M20 CLEARANCE HOLE				
HKH 3-POSITION KEYED SELECTOR SWITCH SPRING RETURN, MOM. LEFT & RIGHT, MAINT. CENTER						
CATALOG NUMBER		ENTRY SIZE	CONTACT ARRANGEMENT		CONTACT BLOCKS	LEGEND PLATE MARKING
DIN RAIL MOUNT	PANEL MOUNT		IEC	NEMA		
HKH1BSD2K440K8	HKH1BSP2K440K8	3/4" NPT SS HUB			2 N.O.	BLANK
HKH1BSDAK440	HKH1BSPAK440	M20 CLEARANCE HOLE				
HKH 3-POSITION KEYED SELECTOR SWITCH SPRING RETURN, MOM. RIGHT, MAINT. CENTER & LEFT						
CATALOG NUMBER		ENTRY SIZE	CONTACT ARRANGEMENT		CONTACT BLOCKS	LEGEND PLATE MARKING
DIN RAIL MOUNT	PANEL MOUNT		IEC	NEMA		
HKH1BSD2K540K8	HKH1BSP2K540K8	3/4" NPT SS HUB			2 N.O.	BLANK
HKH1BSDAK540	HKH1BSPAK540	M20 CLEARANCE HOLE				
HKH 3-POSITION KEYED SELECTOR SWITCH SPRING RETURN, MOM. LEFT, MAINT. CENTER & RIGHT						
CATALOG NUMBER		ENTRY SIZE	CONTACT ARRANGEMENT		CONTACT BLOCKS	LEGEND PLATE MARKING
DIN RAIL MOUNT	PANEL MOUNT		IEC	NEMA		
HKH1BSD2K640K8	HKH1BSP2K640K8	3/4" NPT SS HUB			2 N.O.	BLANK
HKH1BSDAK640	HKH1BSPAK640	M20 CLEARANCE HOLE				



STANDARD SIZE 1c STAINLESS STEEL CONFIGURATIONS



ATEX/IECEX Certified

CE 0518 II 2 G Ex de IIC T6...T4 Gb
 0518 II 2 D Ex tb IIIC T6...T4 Db IP66
DEMKO 15 ATEX 1405X
 Ex de IIC T6...T4 Gb
 Ex tb IIIC T85°C...T135°C Db IP66
 IECEX UL 15.0054X
 Ambient Range: -50°C ≤ Ta ≤ 60°C

cULus Certified

Class I, Zone 1, AEx de IIC T6...T4 Gb / Ex de IIC T6...T4 Gb X
 Zone 21, AEx tb IIIC T85°C...T135°C Db IP66 / Ex tb IIIC T85°C...T135°C Db IP66 X
 Class I, Division 2, Groups A, B, C, D
 Class II, Division 1, Groups E, F, G (Canada Only)
 Class II, Division 2, Groups E, F, G
 Class III
 UL50, 50E, 508, UL60079-0, -1, -7, -31
 Type 3, 4, 4X, 12, 13
 Ambient Range: -50°C ≤ Ta ≤ 60°C



STAINLESS ENCL. ONLY
 CLASS II, DIV. 1, GRPS. E, F, G



FEATURES-SPECIFICATIONS



The control stations on this page are the most commonly used configurations, including combinations of pilot lights, push buttons, rotary selector switches and ammeters.

One entry hole listed is located at bottom.

HKH RED PILOT LIGHT & TWO MOMENTARY PUSH BUTTONS								
CATALOG NUMBER ^①		ENTRY SIZE	CONTACT ARRANGEMENT		LAMP VOLTAGE	CONTACT BLOCKS	BUTTON COLOR	LEGEND PLATE MARKING
DIN RAIL MOUNT	PANEL MOUNT		IEC	NEMA				
HKHMOD000021	HKHMOD000022	3/4" NPT SS HUB			12V-254V AC/DC IEC EX	1 N.C.	RED STOP (I)	BLANK
HKHMOD000023	HKHMOD000024	M20 CLEARANCE HOLE			12V-250V AC/DC UL	1 N.O.	GREEN START (O)	
HKH THREE MOMENTARY PUSH BUTTONS								
CATALOG NUMBER ^①		ENTRY SIZE	CONTACT ARRANGEMENT		CONTACT BLOCKS	BUTTON COLOR	LEGEND PLATE MARKING	
DIN RAIL MOUNT	PANEL MOUNT		IEC	NEMA				
HKHMOD000025	HKHMOD000026	3/4" NPT SS HUB			1 N.O. / 1 N.C.	GREEN: START/(I)/BLANK RED: STOP/(O)/BLANK BLACK: BLANK	BLANK	
HKHMOD000027	HKHMOD000028	M20 CLEARANCE HOLE			1 N.O. / 1 N.C.			
HKH RED PILOT LIGHT, MUSHROOM MAINTAINED P.B., DOUBLE MOMENTARY P.B.								
CATALOG NUMBER ^①		ENTRY SIZE	CONTACT ARRANGEMENT		LAMP VOLTAGE	BUTTON COLOR	LEGEND PLATE MARKING	
DIN RAIL MOUNT	PANEL MOUNT		IEC	NEMA				
HKHMOD000029 (PULL RELEASE)	HKHMOD000030 (PULL RELEASE)	3/4" NPT SS HUB			12V-254V AC/DC IEC EX	RED GREEN: START/(I)/BLANK RED: STOP/(O)/BLANK	BLANK EMERGENCY STOP	
HKHMOD000031 (TWIST RELEASE)	HKHMOD000032 (TWIST RELEASE)				12V-250V AC/DC UL			1 N.O. / 1 N.C.
HKHMOD000033 (PULL RELEASE)	HKHMOD000034 (PULL RELEASE)	M20 CLEARANCE HOLE			1 N.O. / 1 N.C.	1 N.O. / 1 N.C.		
HKHMOD000035 (TWIST RELEASE)	HKHMOD000036 (TWIST RELEASE)							
HKH 72MM AMMETER & 2 POSITION MAINT. SELECTOR SWITCH								
CATALOG NUMBER ^{①②}		ENTRY SIZE	CONTACT ARRANGEMENT		CONTACT BLOCKS	BUTTON COLOR	LEGEND PLATE MARKING	
DIN RAIL MOUNT	PANEL MOUNT		IEC	NEMA				
HKHMOD000037	HKHMOD000038	3/4" NPT SS HUB			1 N.C. / 1 N.O.	—	BLANK	
HKHMOD000039	HKHMOD000040	M20 CLEARANCE HOLE						

① Din Rail mount assemblies supplied in Flange In type enclosures. Panel mount assemblies supplied with Flange Out enclosures.

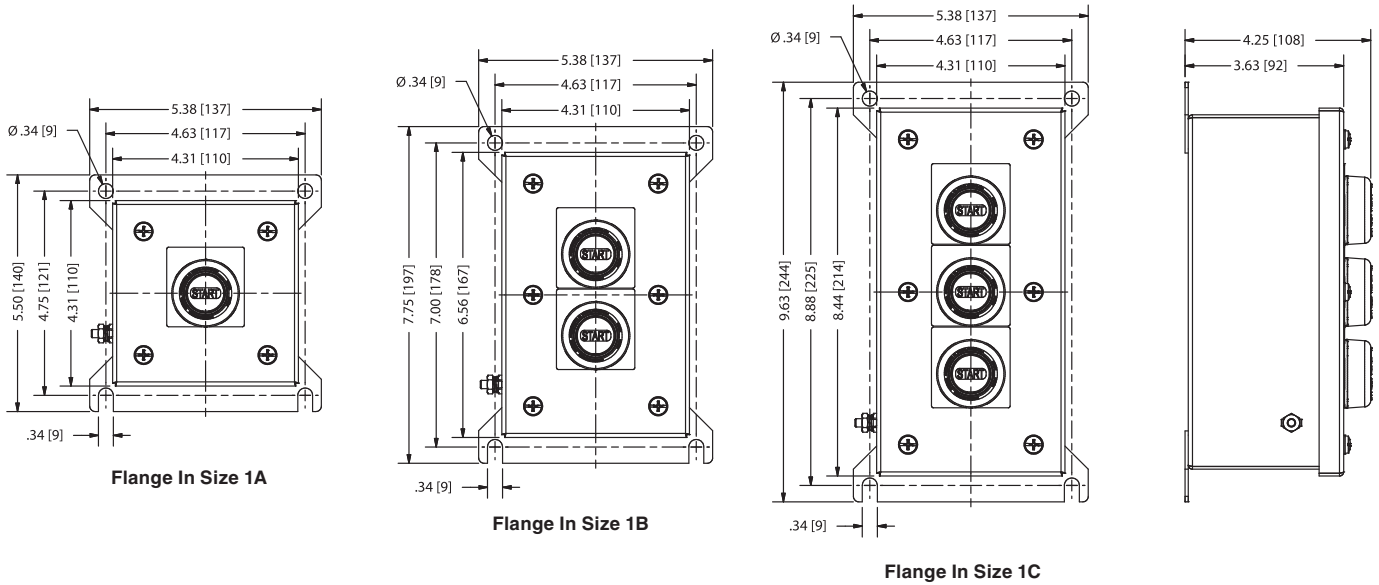
② IECEX/ATEX Only. Supplied with 72mm 1A Ammeter scale 0-5A and 25A OIL scale. For use with Current Transformer. Consult Factory for other scale ranges from page C36 and for Voltmeter options.

CONTROLS

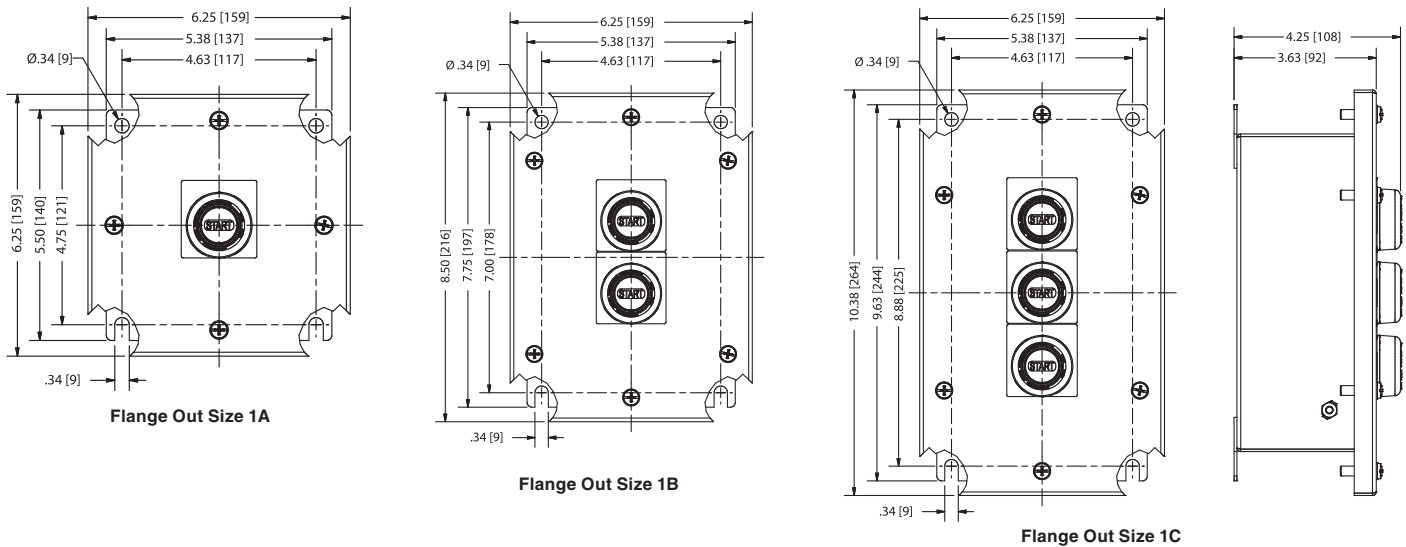
HKH SERIES



DIMENSIONAL DATA - STAINLESS STEEL SIZE 1 FLANGE IN



DIMENSIONAL DATA - STAINLESS STEEL SIZE 1 FLANGE OUT



Entry sizes available:

Clearance hole sizes for 1/2", 3/4" and 1" NPT

Clearance hole sizes for M20, M25 and M32

Drilled and tapped holes for M20, M25 and M32

CLEARANCE HOLE FOR NPT FITTING	LOGIC CODE
1/2" TOP FEED	7
1/2" BOTTOM FEED	1
1/2" FEED THROUGH	4
3/4" TOP FEED	8
3/4" BOTTOM FEED	2
3/4" FEED THROUGH	5
1" TOP FEED	9
1" BOTTOM FEED	3
1" FEED THROUGH	6

CLEARANCE HOLE FOR METRIC FITTING	LOGIC CODE
M20 TOP FEED	C
M20 BOTTOM FEED	A
M20 FEED THROUGH	B
2 X M20 TOP FEED	F
2 X M20 BOTTOM FEED	D
M25 TOP FEED	J
M25 BOTTOM FEED	G
M25 FEED THROUGH	H



SIZE 2a & 2c STAINLESS STEEL FLANGE IN



ATEX/IECEX Certified

CE 0518 II 2 G Ex de IIC T6...T4 Gb
 0518 II 2 D Ex tb IIIC T6...T4 Db IP66
DEMKO 15 ATEX 1405X
 Ex de IIC T6...T4 Gb
 Ex tb IIIC T85°C...T135°C Db IP66
 IECEX UL 15.0054X
 Ambient Range: -50°C ≤ Ta ≤ 60°C

cULus Certified

Class I, Zone 1, AEx de IIC T6...T4 Gb / Ex de IIC T6...T4 Gb X
 Zone 21, AEx tb IIIC T85°C...T135°C Db IP66 / Ex tb IIIC T85°C...T135°C Db IP66 X
 Class I, Division 2, Groups A, B, C, D
 Class II, Division 1, Groups E, F, G (Canada Only)
 Class II, Division 2, Groups E, F, G
 Class III
 UL50, 50E, 508, UL60079-0, -1, -7, -31
 Type 3, 4, 4X, 12, 13
 Ambient Range: -50°C ≤ Ta ≤ 60°C



STAINLESS ENCL. ONLY
 CLASS II, DIV. 1, GRPS. E, F, G

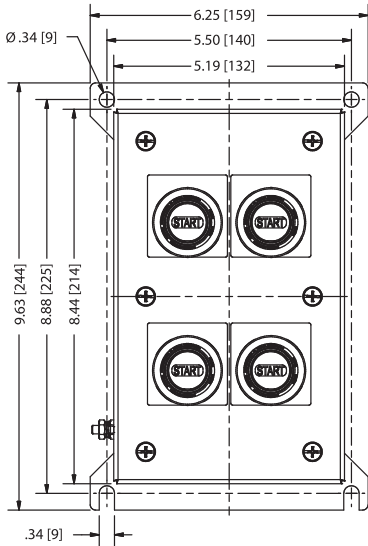


FEATURES-SPECIFICATIONS

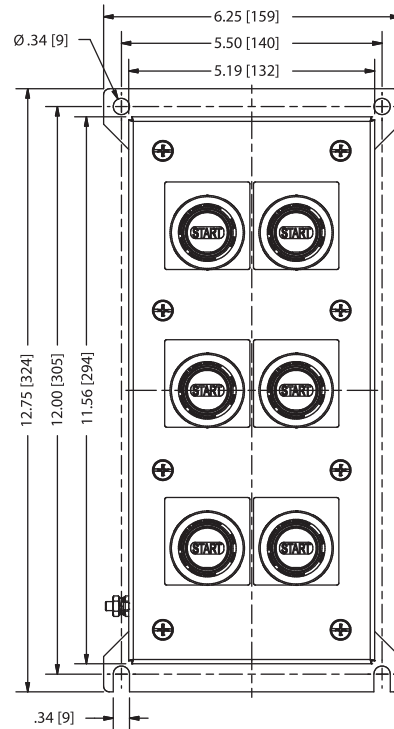
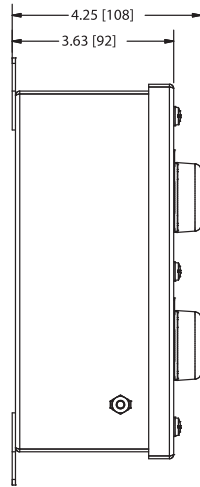
HAZCON™

Size 2a and 2c control stations can be factory ordered to include combinations of pilot lights, push buttons, rotary selector switches, ammeters and terminal blocks.

Entry holes can be located on all sides.



Size 2a



Size 2c

Entry sizes available:

Clearance hole sizes for 1/2", 3/4" and 1" NPT

Clearance hole sizes for M20, M25 and M32

Drilled and tapped holes for M20, M25 and M32

CLEARANCE HOLE FOR NPT FITTING	LOGIC CODE	CLEARANCE HOLE FOR METRIC FITTING	LOGIC CODE
1/2" TOP FEED	7	M20 TOP FEED	C
1/2" BOTTOM FEED	1	M20 BOTTOM FEED	A
1/2" FEED THROUGH	4	M20 FEED THROUGH	B
3/4" TOP FEED	8	2 X M20 TOP FEED	F
3/4" BOTTOM FEED	2	2 X M20 BOTTOM FEED	D
3/4" FEED THROUGH	5	M25 TOP FEED	J
1" TOP FEED	9	M25 BOTTOM FEED	G
1" BOTTOM FEED	3	M25 FEED THROUGH	H
1" FEED THROUGH	6	2 X M25 BOTTOM FEED	K

CONTROLS

HKH SERIES



SIZE 2a & 2c STAINLESS STEEL FLANGE OUT



ATEX/IECEX Certified

CE 0518 Ex II 2 G Ex de IIC T6...T4 Gb
 CE 0518 Ex II 2 D Ex tb IIIC T6...T4 Db IP66

DEMKO 15 ATEX 1405X

Ex de IIC T6...T4 Gb
 Ex tb IIIC T85°C...T135°C Db IP66
 IECEX UL 15.0054X
 Ambient Range: -50°C ≤ Ta ≤ 60°C

cULus Certified

Class I, Zone 1, AEx de IIC T6...T4 Gb / Ex de IIC T6...T4 Gb X
 Zone 21, AEx tb IIIC T85°C...T135°C Db IP66 / Ex tb IIIC T85°C...T135°C Db IP66 X
 Class I, Division 2, Groups A, B, C, D
 Class II, Division 1, Groups E, F, G (Canada Only)
 Class II, Division 2, Groups E, F, G
 Class III
 UL50, 50E, 508, UL60079-0, -1, -7, -31
 Type 3, 4, 4X, 12, 13
 Ambient Range: -50°C ≤ Ta ≤ 60°C



STAINLESS ENCL. ONLY
 CLASS II, DIV. 1, GRPS. E,F,G

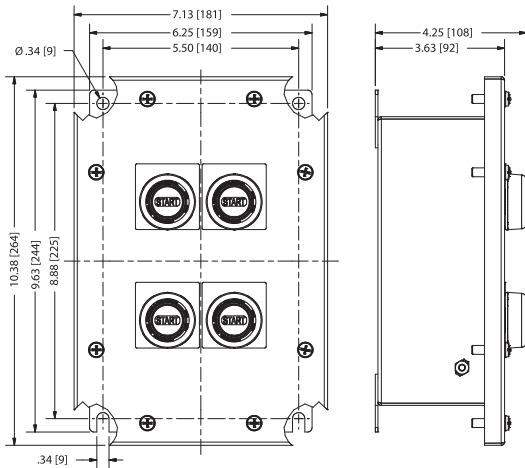


FEATURES-SPECIFICATIONS

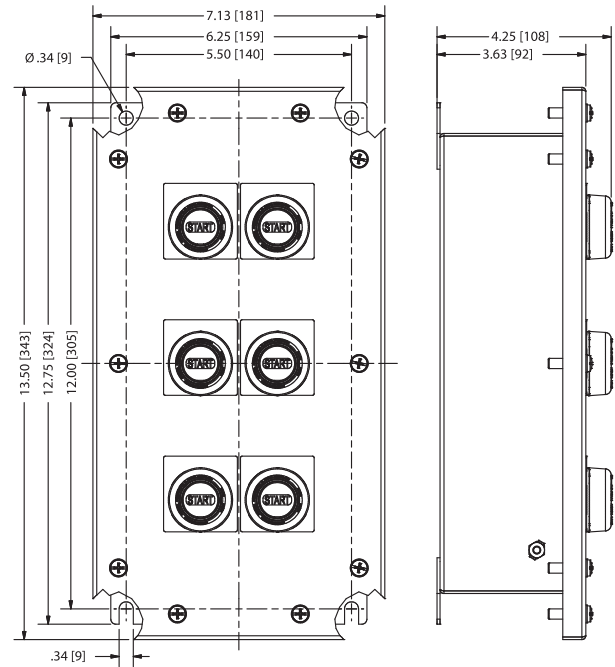
HAZCON™

Size 2a and 2c control stations can be factory ordered to include combinations of pilot lights, push buttons, rotary selector switches, ammeters and terminal blocks.

Entry holes can be located on all sides.



Size 2a



Size 2c

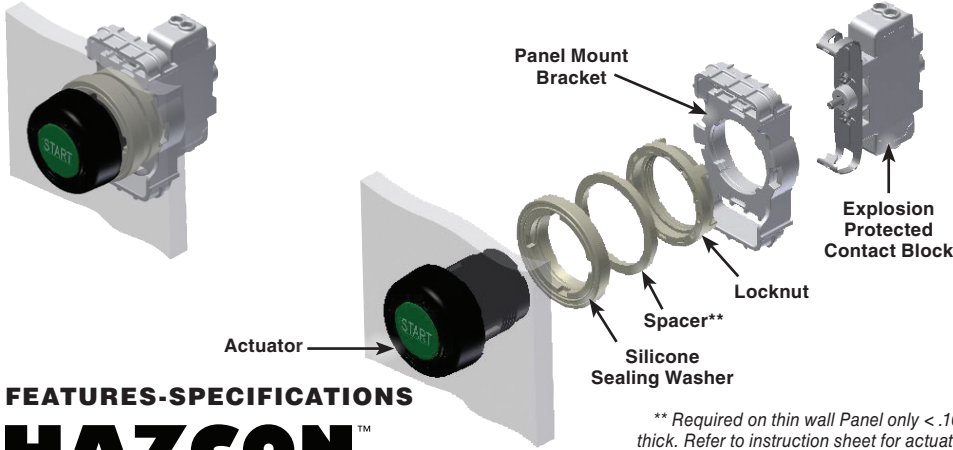
Entry sizes available:
 Clearance hole sizes for 1/2", 3/4" and 1" NPT
 Clearance hole sizes for M20, M25 and M32
 Drilled and tapped holes for M20, M25 and M32

CLEARANCE HOLE FOR NPT FITTING	LOGIC CODE
1/2" TOP FEED	7
1/2" BOTTOM FEED	1
1/2" FEED THROUGH	4
3/4" TOP FEED	8
3/4" BOTTOM FEED	2
3/4" FEED THROUGH	5
1" TOP FEED	9
1" BOTTOM FEED	3
1" FEED THROUGH	6

CLEARANCE HOLE FOR METRIC FITTING	LOGIC CODE
2 X M20 TOP FEED	F
2 X M20 BOTTOM FEED	D
2 X M20 FEED THROUGH	E
2 X M25 TOP FEED	M
2 X M25 BOTTOM FEED	K
2 X M25 FEED THROUGH	L
M32 TOP FEED	Q
M32 BOTTOM FEED	N
M32 FEED THROUGH	P



ACTUATOR ASSEMBLIES FOR PANEL MOUNT APPLICATIONS



ATEX/IECEx Certified

0518 Ⓢ II 2 G Ex e IIC Gb
 0518 Ⓢ II 2 D Ex tb IIIC Db
IP66
 -50°C ≤ Ta ≤ 60°C
DEMKO 14 ATEX 1400U
 Ex e IIC Gb
 Ex tb IIIC Db
 -50°C ≤ Ta ≤ +60°C
IECEx UL 14.0104U

cULus Certified

Class I, Zone 1, AEx e IIC Gb / Ex e IIC Gb U
 Zone 21, AEx tb IIIC Db / Ex tb IIIC Db U
 Class I, Division 2, Groups A, B, C, D
 Class II, Div. 1, Groups E, F, G (Canada)
 Class II, Division 2, Groups E, F, G
 Class III
 -50°C ≤ Ta ≤ +60°C
Type 3/4/4X/12/13 IP66



FEATURES-SPECIFICATIONS

HAZCON™

** Required on thin wall Panel only < .16" thick. Refer to instruction sheet for actuator

Complete actuator catalog numbers with contacts for mounting to your panel with cover thickness from 0.04" to 0.25".

MOMENTARY START/STOP PUSH BUTTONS	
BASIC CATALOG NUMBERS	DESCRIPTION
HKHPBMMSS1	MOMENTARY PUSH BUTTON WITH 1 N.O. & 1 N.C. CONTACT – INCLUDES GRN START, GRN (I), RED STOP & RED O, GREEN, RED & BLACK BLANK DISC 7 HKHPMBRKT
HKHPBMMTC1	MOMENTARY PUSH BUTTON, 3 CONTACTS
HKHPBILLMM1	MOMENTARY ILLUMINATED PUSH BUTTON
MOMENTARY MUSHROOM HEAD PUSH BUTTONS	
HKHPBMMMR1	MOMENTARY MUSHROOM PB, RED WITH 1 N.O. & 1 N.C. CONTACT & HKHPMBRKT
HKHPBMMMB1	MOMENTARY MUSHROOM PB, BLACK WITH 1 N.O. & 1 N.C. CONTACT & HKHPMBRKT
HKHPBMMMG1	MOMENTARY MUSHROOM PB, GREEN WITH 1 N.O. & 1 N.C. CONTACT & HKHPMBRKT
DOUBLE MOMENTARY PUSH BUTTON	
HKHDBLPBMMGR1	DOUBLE MOMENTARY PUSH BUTTON, RED & GREEN BUTTONS WITH 1 N.O. & 1 N.C. & HKHPMBRKT
MAINTAINED MUSHROOM HEAD PUSH BUTTONS	
HKHPBPMTR1	MAINTAINED MUSHROOM PUSH/PULL PB, RED WITH 1 N.O. & 1 N.C. CONTACT & HKHPMBRKT
HKHPBPMTB1	MAINTAINED MUSHROOM PUSH/PULL PB, BLACK WITH 1 N.O. & 1 N.C. CONTACT & HKHPMBRKT
HKHPBPMTG1	MAINTAINED MUSHROOM PUSH/PULL PB, GREEN WITH 1 N.O. & 1 N.C. CONTACT & HKHPMBRKT
HKHPBTMTMR1	MAINTAINED MUSHROOM PB TWIST RELEASE, RED WITH 1 N.O. & 1 N.C. CONTACT & HKHPMBRKT
HKHPBKMTMRH1	MAINTAINED PUSH BUTTON KEY RELEASE, MUSHROOM RED HD, HORIZONTAL WITH 1 N.O. & 1 N.C. CONTACT & HKHPMBRKT
HKHPBKMTMRV1	MAINTAINED PUSH BUTTON KEY RELEASE, MUSHROOM RED HD, VERTICAL WITH 1 N.O. & 1 N.C. CONTACT & HKHPMBRKT
PILOT LIGHT LENS ASSEMBLY	
HKHPLRL	PILOT LIGHT RED LENS ASSEMBLY WITH 12-254V AC/DC LAMP MODULE
HKHPLGL	PILOT LIGHT GREEN LENS ASSEMBLY WITH 12-254V AC/DC LAMP MODULE
HKHPLAL	PILOT LIGHT AMBER LENS ASSEMBLY WITH 12-254V AC/DC LAMP MODULE
HKHPLCL	PILOT LIGHT CLEAR LENS ASSEMBLY WITH 12-254V AC/DC LAMP MODULE
HKHPLBL	PILOT LIGHT BLUE LENS ASSEMBLY WITH 12-254V AC/DC LAMP MODULE
2 POSITION SELECTOR SWITCHES	
HKH2PSMTH1	2 POSITION MAINTAINED CONTACT, HORIZONTAL WITH 1 N.O. & 1 N.C. CONTACT & HKHPMBRKT
HKH2PSMTV1	2 POSITION MAINTAINED CONTACT, VERTICAL WITH 1 N.O. & 1 N.C. CONTACT & HKHPMBRKT
HKH2PSMRH1	2 POSITION MOMENTARY RIGHT CONTACT, HORIZONTAL WITH 1 N.O. & 1 N.C. CONTACT & HKHPMBRKT
HKH2PSMVR1	2 POSITION MOMENTARY RIGHT CONTACT, VERTICAL WITH 1 N.O. & 1 N.C. CONTACT & HKHPMBRKT
HKH2PSKH1Ⓢ	2 POSITION KEYED, MAINT./MOM. RIGHT, HORIZONTAL WITH 1 N.O. & 1 N.C. CONTACT & HKHPMBRKT
HKH2PSKV1Ⓢ	2 POSITION KEYED MAINT./MOM. RIGHT, VERTICAL WITH 1 N.O. & 1 N.C. CONTACT & HKHPMBRKT
3 POSITION SELECTOR SWITCHES	
HKH3PSMTIH4	3 POS. MAINTAINED CONTACT INDEPENDENT CAM, HORIZONTAL WITH 2 N.O. CONTACTS & HKHPMBRKT
HKH3PSMTIV4	3 POS. MAINTAINED CONTACT INDEPENDENT CAM, VERTICAL WITH 2 N.O. CONTACTS & HKHPMBRKT
HKH3PSMRH4	3 POS. MOM. RIGHT MAINT. LEFT/CNTR INDEPENDENT CAM, HORIZONTAL WITH 2 N.O. CONTACTS & HKHPMBRKT
HKH3PSMVR4	3 POS. MOM. RIGHT MAINT. LEFT/CNTR INDEPENDENT CAM, VERTICAL WITH 2 N.O. CONTACTS & HKHPMBRKT
HKH3PSMLH4	3 POS. MOM. LEFT, MAINT. RIGHT/CNTR INDEPENDENT CAM, HORIZONTAL WITH 2 N.O. CONTACTS & HKHPMBRKT
HKH3PSMLV4	3 POS. MOM. LEFT, MAINT. CNTR/RIGHT INDEPENDENT CAM, VERTICAL WITH 2 N.O. CONTACTS & HKHPMBRKT
HKH3PSMLRH4	3 POS. MOM. LEFT/RIGHT, MAINT. CNTR INDEPENDENT CAM, HORIZONTAL WITH 2 N.O. CONTACTS & HKHPMBRKT
HKH3PSMLRV4	3 POS. MOM. LEFT/RIGHT, MAINT. CNTR INDEPENDENT CAM, VERTICAL WITH 2 N.O. CONTACTS & HKHPMBRKT
HKH3PSKIH4Ⓢ	3 POSITION KEYED MAINT./MOM. INDEPENDENT CAM, HORIZONTAL WITH 2 N.O. CONTACTS & HKHPMBRKT
HKH3PSKIV4Ⓢ	3 POSITION KEYED MAINT./MOM. INDEPENDENT CAM, VERTICAL WITH 2 N.O. CONTACTS & HKHPMBRKT

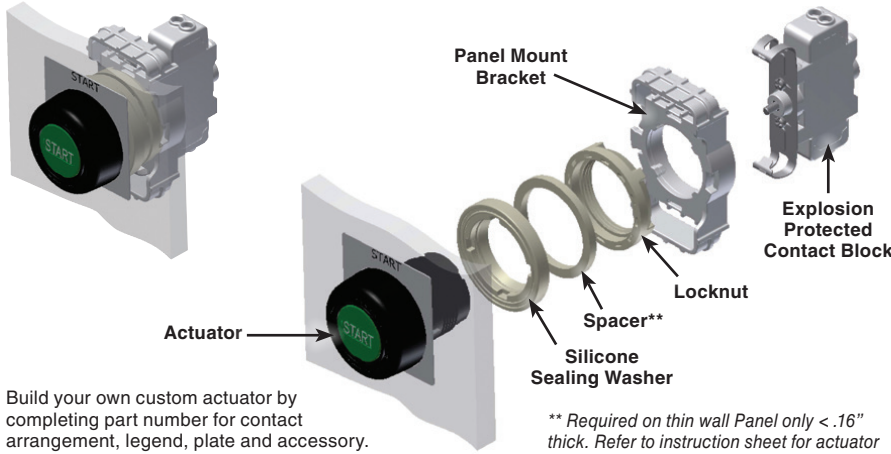
Ⓢ Key Rotary Selectors are not Type 13.

CONTROLS

HKH SERIES



ACTUATOR ASSEMBLIES FOR PANEL MOUNT APPLICATIONS MADE TO YOUR SPECIFICATIONS



Build your own custom actuator by completing part number for contact arrangement, legend, plate and accessory.

** Required on thin wall Panel only < .16" thick. Refer to instruction sheet for actuator

ATEX/IECEx Certified

- 0518 Ⓜ II 2 G Ex e IIC Gb
- 0518 Ⓜ II 2 D Ex tb IIIC Db
- IP66
- 50°C ≤ Ta ≤ 60°C
- DEMKO 14 ATEX 1400U
- Ex e IIC Gb
- Ex tb IIIC Db
- 50°C ≤ Ta ≤ +60°C
- IECEx UL 14.0104U

cULus Certified

- Class I, Zone 1, AEx e IIC Gb / Ex e IIC Gb U
- Zone 21, AEx tb IIIC Db / Ex tb IIIC Db U
- Class I, Division 2, Groups A, B, C, D
- Class II, Div. 1, Groups E, F, G (Canada)
- Class II, Division 2, Groups E, F, G
- Class III
- 50°C ≤ Ta ≤ +60°C
- Type 3/4/4X/12/13 IP66



FEATURES-SPECIFICATIONS

HAZCON™

To order complete with mounting bracket, contacts or pilot light module add suffix to end of catalog number for each;

CONTROL MODULE

- L - LED LAMP 3 - 1NC *6 - 2NO/1NC *9 - 3NC
- 1 - 1NO/1NC 4 - 2NO *7 - 1NO/2NC *10 - 1NO/1NC/LED
- 2 - 1NO 5 - 2NC *8 - 3NO *11 - 2NO/LED
- *12 - 2NC/LED

* Available only with operator HKHPBMMTC

+ Available only with operator HKHPBILLMM

LEGEND PLATE

- | | |
|--------------------|----------------------------|
| A - START | Q - DOWN |
| B - STOP | R - ON-OFF |
| C - ON | S - OFF-ON |
| D - OFF | T - UP-DOWN |
| E - EMERGENCY STOP | X - HAND-AUTO |
| F - PUSH TO TEST | Y - OPEN-CLOSE |
| G - RAISE | Z - OFF-REMOTE |
| H - LOWER | 0 - BLANK |
| J - OPEN | 1 - SPECIFY CUSTOM MARKING |
| K - CLOSE | |
| L - FORWARD | 4 - RUN-OFF-JOG |
| M - REVERSE | 5 - REV-OFF-FWD |
| N - RESET | 7 - HAND-OFF-REM |
| P - UP | 9 - HAND-OFF-AUTO |

ACCESSORY

- L1- Lockout SST Depressed Lockout, Push Button, Momentary
- L2- Lockout, Plastic Cover, Push Button, Mushroom, Selector
- L3- Lockout, SST Bar Lockout, Push Button, Depressed Mushroom
- L4- Lockout, SST Hinged, Push Button, Depressed Mushroom
- L6- Hinged Stainless Steel Lockout for double momentary push button in depressed position
- L7- Hinged Stainless Steel Lockout for 2 position rotary selector switch in left or right position
- L8- Hinged Stainless Steel Lockout for 3 position rotary selector switch in left, center or right position

i.e. Momentary Push Button complete with Panel Mounting Bracket, control module for 1NO/1NC contact, "START" Legend Plate, and plastic Flip Cover Lockout: HKHPBMMSS1AL2

For red Pilot Light complete with Panel Mounting Bracket, LED Module, and "OFF" Legend Plate: HKHPLRLD

MOMENTARY START/STOP PUSH BUTTONS	
BASIC CATALOG NUMBERS	DESCRIPTION
HKHPBMMSS()	MOMENTARY PB, W/ GREEN START, GREEN (I), RED STOP & RED (O), GREEN, RED & BLACK BLANK DISCS
HKHPBMMTC()	MOMENTARY PUSH BUTTON, 3 CONTACTS
HKHPBILLMM()	MOMENTARY ILLUMINATED PUSH BUTTON
MOMENTARY MUSHROOM HEAD PUSH BUTTONS	
HKHPBMMMR()	MOMENTARY MUSHROOM PB, RED
HKHPBMMMB()	MOMENTARY MUSHROOM PB, BLACK
HKHPBMMMG()	MOMENTARY MUSHROOM PB, GREEN
DOUBLE MOMENTARY PUSH BUTTON	
HKHDBLPBMMGR()	DOUBLE MOMENTARY PB, GREEN & RED BUTTONS
MAINTAINED MUSHROOM HEAD PUSH BUTTONS	
HKHPBPMTRM()	MAINTAINED MUSHROOM PUSH/PULL PB, RED
HKHPBPMTMB()	MAINTAINED MUSHROOM PUSH/PULL PB, BLACK
HKHPBPMTMG()	MAINTAINED MUSHROOM PUSH/PULL PB, GREEN
HKHPBTMTMR()	MAINTAINED MUSHROOM PB TWIST RELEASE, RED
HKHPBKMTMRH()Ⓜ	MAINTAINED PUSH BUTTON KEY RELEASE, MUSHROOM RED HD, HORIZONTAL
HKHPBKMTMRV()Ⓜ	MAINTAINED PUSH BUTTON KEY RELEASE, MUSHROOM RED HD, VERTICAL
PILOT LIGHT LENS ASSEMBLY	
HKHPLR()	PILOT LIGHT RED LENS ASSEMBLY
HKHPLG()	PILOT LIGHT GREEN LENS ASSEMBLY
HKHPLA()	PILOT LIGHT AMBER LENS ASSEMBLY
HKHPLC()	PILOT LIGHT CLEAR LENS ASSEMBLY
HKHPLB()	PILOT LIGHT BLUE LENS ASSEMBLY
2 POSITION SELECTOR SWITCHES	
HKH2PSMTH()	2 POSITION MAINTAINED CONTACT, HORIZONTAL
HKH2PSMTV()	2 POSITION MAINTAINED CONTACT, VERTICAL
HKH2PSMMRH()	2 POSITION MOMENTARY RIGHT CONTACT, HORIZONTAL
HKH2PSMMRV()	2 POSITION MOMENTARY RIGHT CONTACT, VERTICAL
HKH2PSKH()ⓂⓂ	2 POSITION KEYED, MAINT./MOM. RIGHT, HORIZONTAL
HKH2PSKV()ⓂⓂ	2 POSITION KEYED MAINT./MOM. RIGHT, VERTICAL
3 POSITION SELECTOR SWITCHES	
HKH3PSMTIH()	3 POS. MAINTAINED CONTACT INDEPENDENT CAM, HORIZONTAL
HKH3PSMTIV()	3 POS. MAINTAINED CONTACT INDEPENDENT CAM, VERTICAL
HKH3PSMMRH()	3 POS. MOM. RIGHT MAINT. LEFT/CNTR INDEPENDENT CAM, HORIZONTAL
HKH3PSMMRV()	3 POS. MOM. RIGHT MAINT. LEFT/CNTR INDEPENDENT CAM, VERTICAL
HKH3PSMMLH()	3 POS. MOM. LEFT, MAINT. RIGHT/CNTR INDEPENDENT CAM, HORIZONTAL
HKH3PSMMLV()	3 POS. MOM. LEFT, MAINT. CNTR/RIGHT INDEPENDENT CAM, VERTICAL
HKH3PSMMLRH()	3 POS. MOM. LEFT/RIGHT, MAINT. CNTR INDEPENDENT CAM, HORIZONTAL
HKH3PSMMLRV()	3 POS. MOM. LEFT/RIGHT, MAINT. CNTR INDEPENDENT CAM, VERTICAL
HKH3PSKIH()ⓂⓂ	3 POSITION KEYED MAINT./MOM. INDEPENDENT CAM, HORIZONTAL
HKH3PSKIV()ⓂⓂ	3 POSITION KEYED MAINT./MOM. INDEPENDENT CAM, VERTICAL

Ⓜ Key Rotary Selectors are not Type 13.

Ⓜ All Keyed Actuators supplied with MS-1 key as standard. For different key add digit; 2, 3, 4, 5, or 6 after "H" or "V" in catalog number.



ACTUATOR PROPERTIES AND PANEL MOUNT INSTALLATION

ATEX/IECEx Certified

0518 Ex II 2 G Ex e IIC Gb
 0518 Ex II 2 D Ex tb IIIC Db
 IP66
 -50°C ≤ Ta ≤ 60°C
 DEMKO 14 ATEX 1400U
 Ex e IIC Gb
 Ex tb IIIC Db
 -50°C ≤ Ta ≤ +60°C
 IECEx UL 14.0104U

cULus Certified

Class I, Zone 1, AEx e IIC Gb / Ex e IIC Gb U
 Zone 21, AEx tb IIIC Db / Ex tb IIIC Db U
 Class I, Division 2, Groups A, B, C, D
 Class II, Div. 1, Groups E, F, G (Canada)
 Class II, Division 2, Groups E, F, G
 Class III, Division 1 (Canada)
 Class III
 -50°C ≤ Ta ≤ +60°C
 Type 3/4/4X/12/13 IP66



HKHPBMSS

Momentary Push Button will depress two Contact Blocks. Supplied with 7 colored inserts shown.

HKHPBMMTC

Momentary Push Button will depress three Contact Blocks. Supplied with 7 colored inserts.



HKHPBMMMR, HKHPBMMMG, HKHPBMMMB

Momentary Mushroom Push Button will depress two Contact Blocks. Available in Red, Green and Black

HKHPBPMTMR, HKHPBPMTMG, HKHPBPMTMB

Maintained Mushroom Push Button with Pull Release will depress two Contact Blocks. Available in Red, Green and Black.



HKH2PSMTH, HKH2PSMTV, HKH2PSMMRH, HKH2PSMMRV

2 Position Rotary Selector Switches for Maintained & Momentary action will depress two Contact Blocks.

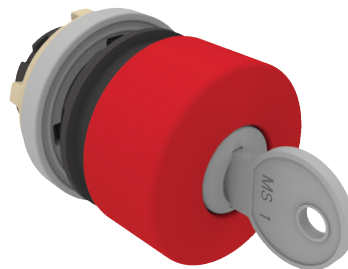
HKH3PSMTIH, HKH3PSMTIV, HKH3PSMMRH, HKH3PSMMRV, HKH3PSMMLH, HKH3PSMMLV, HKH3PSMMLRH, HKH3PSMMLRV

3 Position Rotary Selector Switches for Maintained & Momentary action with Independent Cams that will depress one Contact Block in each Left & Right Positions.



HKHPBILLMM

Momentary Illuminated Push Button with LED Lamp that will depress two Contact Blocks. Available with Red, Green, Amber, Clear and Blue transparent inserts.



HKHPBKMTMRH*, HKHPBKMTMRV*

Maintained Mushroom Push Button with Key Release will depress two Contact Blocks. Available in Red only.

* MS-1 key supplied as standard. Additional key numbers available by adding digit at end of catalog numbers. Key numbers available 2, 3, 4, 5, 6 (HKHPBKMTMRV4)



HKH2PSKH*, HKH2PSKV*

2 Position Key Rotary Selector Switches for Maintained & Momentary action will depress two Contact Blocks.

HKH3PSKIH*, HKH3PSKIV*

3 Position Key Rotary Selector Switches for Maintained & Momentary action with Independent Cams that will depress one Contact Block in each Left & Right Positions.

NOTE: Not rated Type 13



HKHPLR, HKHPLG, HKHPLA, HKHPLC, HKHPLB

Pilot Light Lens Assembly. Available in Red, Green, Amber, Clear and Blue



HKHPBTMTR

Maintained Mushroom Push Button with Twist Release will depress two Contact Blocks. Available in Red only



HKHDBLPBMMGR

Double Momentary Push Button will depress one Contact Block on each button. Supplied with 7 colored inserts shown by HKHPBMSS.



CONTROLS

DIMENSIONAL DATA FOR INSTALLATION OF HKH PANEL MOUNTED ACTUATORS

FEATURES-SPECIFICATIONS

HAZCON™

For installation on
Type 1, 3, 3R, 4/4X,
12 & 13 and IP66
Enclosures



Figure 1

Orientation of rotary actuator part numbers ending in "V"
Keyway positioned at 12 o'clock



Figure 2

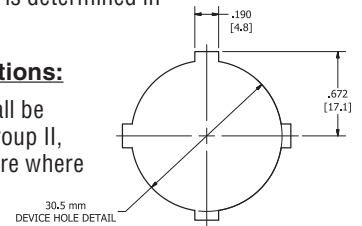
Orientation of rotary actuator part numbers ending in "H"
Keyway positioned at 3 o'clock

For US / CAN Applications:

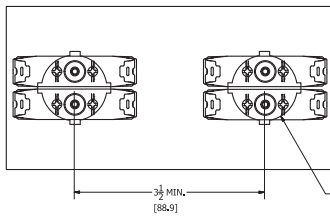
Actuators and Pilot Light Lens Assembly shall be installed in a Class I, Zone 1, AEx e IIC / Ex e IIC increased safety enclosure where the suitability is determined in the end application.

For ATEX / IECEx Applications:

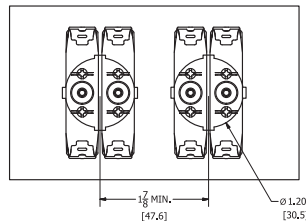
Actuators and Lens Covers shall be installed in a Group I and/or Group II, 'Ex e' increased safety enclosure where the suitability is determined in the end application.



30.5mm Device Hole Detail
Important to maintain Ingress Protection



Minimum spacing for rotary actuator part numbers ending in "V"

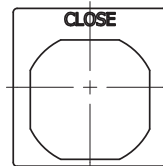


Minimum spacing for rotary actuator part numbers ending in "H"

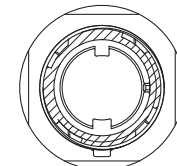
Note: Some Actuators are supplied with an "H" or a "V" at the end of the catalog number. These letters apply to the orientation of the din rail when used in applications with din rails. This feature allows for two different spacings when installed as panel mount. See details for "H" & "V" actuator spacing and contact block orientation.

When installing other actuators such as push buttons & pilot lights the keyway must also be positioned in the same location as the rotary actuators. See Fig. 1 and Fig. 2

ACTUATOR LEGEND PLATES:



Legend Plate



Actuator Housing

HKH actuators will only accept Killark Legend Plates. To insure ingress protection and proper operation is maintained the four flat sides of the plate must match up to the four flat areas on the bottom side of the actuator housing. This must be done to allow the legend plate to float freely under the actuator housing.



HAZCON™ CONTROL PANELS

- SJIC-CS, SJICH-CS and USF-CS Control Stations supplied with screw type or cage clamp terminals.
- HKH HAZCON Panel Mount Actuators installed on door and wired to din rail type terminals on request.
- Available in Painted Carbon Steel, 304 & 316 Stainless Steel material in sizes up to 362410 in USF and 161406 in SJIC/SJICH.

Class I, Div. 2, Grps. A, B, C and D
Ex db eb Class I, Zone 1, AEx db eb IIC
T6...T4 Gb
CSA Encl. Type 4 or 4X, IP66
Ta= -50°C to +40°C (Temp Code T6) or
+55°C (Temp Code T5)
or +60°C (Temp Code T4)



Note: Refer to "Enclosures" Section for available sizes of USF and SJIC/SJICH Terminal Boxes. Consult Factory for Make to Order Control Stations.



ACTUATOR ACCESSORIES



HKHPBMMDHLO



HKHPBSSMFCLLO



HKHPBMBLO



HKHPBMHLO



HKHDBLPBMMDHLO



HKH2PSSHLO



HKH3PSSHLO

FEATURES-SPECIFICATIONS

HAZCON™

Applications

L1 – Hinged Stainless Steel Lockout for standard momentary push button in depressed position

L2 – Plastic Flip Cover Lockout used for momentary push button actuators, selector switch actuators, and mushroom push button actuators

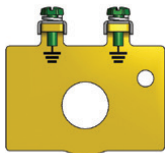
L3 – Bar on Chain Stainless Steel Lockout used for mushroom push buttons in depressed position

L4 – Hinged Stainless Steel Lockout for mushroom push button in depressed position

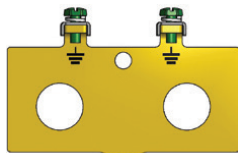
L6 – Hinged Stainless Steel Lockout for double momentary push button in depressed position

L7 – Hinged Stainless Steel Lockout for 2 position rotary selector switch in left or right position

L8 – Hinged Stainless Steel Lockout for 3 position rotary selector switch in left, center or right position



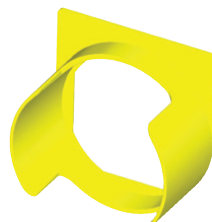
HKHGP11M20



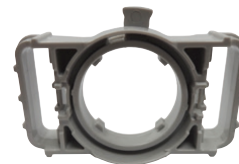
HKHGP22M20



HKHANTOOL



HKHMRSRDYL



HKHPMBRKT (2 Modules)
HKHPMBRKTMM (3 Modules)

One panel mount bracket required with each actuator for panel mount applications. Additionally use contact blocks and pilot light modules ending in "P". HKHPMBRKTMM used only with HKHPBMMTC and HKHPBILLMM



HKHCP

ACCESSORIES

CATALOG NUMBER	DESCRIPTION
HKHPBSSMFCLLO	MOM. PB, SELECTOR SWITCH, MUSHROOM PB, PLASTIC FLIP COVER LOCKOUT
HKHPBMMDHLO	PB DEPRESSED STD. MOMENTARY HINGED STAINLESS STEEL LOCKOUT
HKHPBMHLO	PB DEPRESSED MUSHROOM HINGED STAINLESS STEEL LOCKOUT
HKHPBMBLO	MUSHROOM BAR ON CHAIN STAINLESS STEEL LOCKOUT
HKHDBLPBMMDHLO	DOUBLE PB DEPRESSED MOMENTARY HINGED STAINLESS STEEL LOCKOUT
HKH2PSSHLO	2 POSITION ROTARY SELECTOR SWITCH HINGED STAINLESS STEEL LOCKOUT
HKH3PSSHLO	3 POSITION ROTARY SELECTOR SWITCH HINGED STAINLESS STEEL LOCKOUT

BRASS EARTH CONTINUITY PLATE (ECP)

CATALOG NUMBER	DESCRIPTION
HKHGP12M20	GROUND PLATE, BRASS SZ 1 ENCL. 2-M20
HKHGP11M20	GROUND PLATE, BRASS SZ 1 ENCL. 1-M20
HKHGP11M25	GROUND PLATE, BRASS SZ 1 ENCL. 1-M25
HKHGP11M32	GROUND PLATE, BRASS SZ 1 ENCL. 1-M32
HKHGP22M25	GROUND PLATE, BRASS SZ 2 ENCL. 2-M25
HKHGP22M20	GROUND PLATE, BRASS SZ 2 ENCL. 2-M20
HKHGP21M32	GROUND PLATE, BRASS SZ 2 ENCL. 1-M32

ACTUATOR NUT TOOL

HKHANTOOL	ACTUATOR NUT TOOL
-----------	-------------------

CONTACT BLOCK & PILOT LIGHT PANEL MOUNT BRACKET

HKHPMBRKT	CONTACT BLOCK & PILOT LIGHT PANEL MOUNT BRACKET
HKHPMBRKTMM	PANEL MOUNT BRACKET FOR 3 MODULES

COVER PLUG

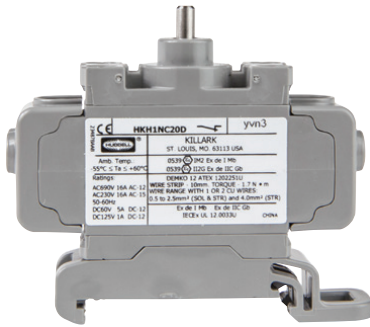
HKHCP	COVER DEVICE PLUG
-------	-------------------

MUSHROOM BUTTON SHROUDS

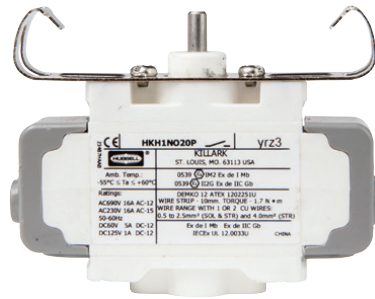
HKHMRSRDYL	YELLOW SHROUD (SPECIFY MARKING IF REQUIRED)
HKHMRSRDBK	BLACK SHROUD (SPECIFY MARKING IF REQUIRED)



FACTORY SEALED CONTACT BLOCK MODULES



HKH1NC20D



HKH1NO20P

ATEX/IECEx Certified

0518 Ⓢ I M 2 Ex de I Mb
 0518 Ⓢ II 2 G Ex de IIC Gb
 Ambient Range: -55°C ≤ Ta ≤ 60°C
 DEMKO 12 ATEX 1202251U
 Ex de I Mb Ex de IIC Gb
 IECEx UL 12.0033U

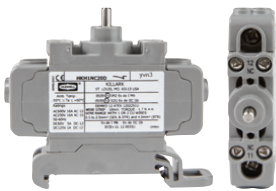
cULus Certified

Class I, Zone 1, AEx de IIC T4 / Ex de IIC T4 X
 Class I, Division 2, Groups A, B, C, D
 Ambient Range: -55°C ≤ Ta ≤ 60°C



Normally Closed Contact Identification:
 All Gray marked: N.C./ (11&12)

Normally Open Contact Identification:
 White center body with gray terminal covers marked: N.O./ (13&14)



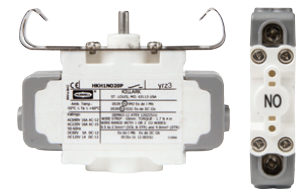
HKH1NC20D



HKH1NC20P



HKH1NO20D



HKH1NO20P

HAZCON™

FEATURES-SPECIFICATIONS

Applications

Standard controls station assemblies are supplied with electrical devices mounted to a din rail inside the box portion of the control station, identified with a "D" in the catalog number. i.e. HKH1AND2P11K8, containing contact blocks ending in "D". When panel or cover mounted version is desired one HKHPMBRKT bracket is required for each actuator to assemble contacts, no DIN Rail supplied. Bracket will mount one contact block in the center or two side by side. Contact block part numbers ending in "P" supplied. Complete control station catalog number to be HKH1ANP2P11K8.



SS Terminal Screw Head for use with the following screwdriver types:

- Slotted
- Phillips
- Robertson



Wire Range for 1 or 2 conductors as listed:

- 0.5 to 2.5mm² (SOL & STR)
- 4.0mm² (STR)
- #22 to #12 AWG (SOL & STR)
- #10 AWG (STR)

Contact Block Applications for US/CAN:

Contact block shall be installed in a Class I, Zone 1, AEx e II/Ex e IIC increased safety enclosure with a minimum IP54 rating or a Class I, Zone 1, AEx d IIC/Zone 21, Aex tb minimum IP64 rating, where the suitability is determined in the end application.

Contact Block Applications for ATEX/IECEx:

Contact block shall be installed in a Group I and/or Group II, 'Ex e' increased safety enclosure with a minimum IPS4 rating or an 'Ex d/ tb' flameproof/dust enclosure with a minimum IP64 rating, where the suitability is determined in the end application.

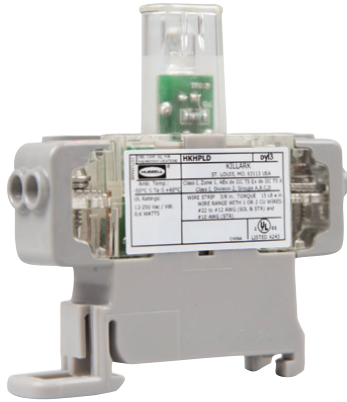
Contact Block Features:

- **UL Electrical Rating:** 690Vac, 20A, 50-60Hz, 60Vdc, 5A, 110Vdc, 2A, 255Vdc, 1.5A, 1/2 HP @120Vac, 1 HP @208/240/277Vac, A600/P600- Pilot Duty 350Vac- Tungsten Lamp.
- **Wire Allowances:** WIRE RANGE with 1 or 2 WIRES: #22 to #12 AWG (SOL & STR) and #10 AWG (STR).
- **IEC Electrical Ratings:** AC690V 16A AC-12, 50-60 Hz, AC230V 16A AC-15, 50-60Hz, DC60V 5A DC-12, DC125 1A DC-13.
- **Wire Allowances:** WIRE RANGE with 1 or 2 WIRES: 0.5 to 2.5mm (SOL & STR) and 4.0mm² (STR)
- Silver Alloy contacts with Gold Flashing.

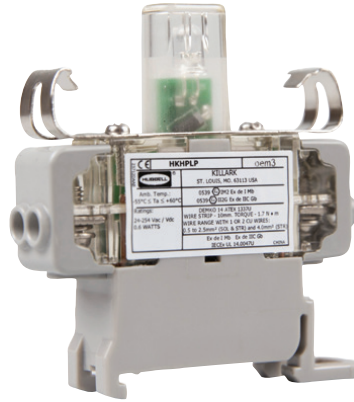
CONTACT BLOCK	
CATALOG NUMBERS	DESCRIPTION
HKH1NO20D	N.O. CONTACT, 20A DIN RAIL MOUNT
HKH1NC20D	N.C. CONTACT, 20A DIN RAIL MOUNT
HKH1NO20P	N.O. CONTACT, 20A PANEL MOUNT
HKH1NC20P	N.C. CONTACT, 20A PANEL MOUNT



FACTORY SEALED PILOT LIGHT MODULES



HKHPLD



HKHPLP

ATEX/IECEx Certified

0518 I M 2 Ex de I Mb
 0518 II 2 G Ex de IIC Gb
 Ambient Range: -50°C ≤ Ta ≤ 60°C
 DEMKO 14 ATEX 1337U
 Ex de I Mb Ex de IIC Gb
 IECEx UL 14.0047U

cULus Certified

Class I, Zone 1, AEx de IIC T5 / Ex de IIC T5 X
 Class I, Division 2, Groups A, B, C, D
 Ambient Range: -50°C ≤ Ta ≤ 60°C



FEATURES-SPECIFICATIONS

HAZCON™

Applications

Standard control station assemblies are supplied with electrical devices mounted to din rail inside the box portion of the control station, identified with a "D" in the catalog number. i.e. HKH1AND2LRL0K8. Containing pilot light part number ending in "D". When panel or cover mounted version is desired one HKHPMBRKT bracket is required for each actuator to assemble pilot light, no DIN Rail supplied. The pilot light module will mount on the center of the bracket. Catalog number will change to HKH1ANP2LRL0K8. Pilot light module part number ending in "P".

Pilot Light Applications for US/CAN:

Pilot Light shall be installed in a Class I, Zone 1, AEx e IIC/Ex e IIC increased safety enclosure with a minimum IP54 rating or a Class I, Zone I, AEx d IIIC/Zone 21, AEx tb IIIC/Ex d IIC/Ex tb IIIC flameproof/dust enclosure with a minimum IP64 rating, where the suitability is determined in the end application. **Electrical Rating:** 12-250Vac/Vdc, 50-60 Hz, 0.6 WATTS.

Pilot Light Applications for ATEX/IECEx:

Pilot Light shall be installed in a Group I and/or Group II, 'Ex e' increased safety enclosure with a minimum IP54 rating or an 'Ex d/tb' flameproof/dust enclosure with a minimum IP64 rating, where the suitability is determined in the end application. **Electrical Rating:** 12-254 Vac/Vdc, 50-60 Hz, 0.6 WATTS.

Wire Allowances:

WIRE RANGE with 1 or 2 WIRES: #22 to #12 AWG (SOL & STR) and #10 AWG (STR) 0.5 to 2.5mm (SOL & STR) and 4.0mm² (STR)

PILOT	
CATALOG NUMBERS	DESCRIPTION
HKHPLD	PILOT LIGHT MODULE DIN RAIL MOUNT
HKHPLP	PILOT LIGHT MODULE PANEL MOUNT

AMMETERS, 1A, 72MM



MEASURING TYPE	OVERLOAD SCALE	MEASURING RANGE
DIRECT MEASURING	2	0-1 / 2A
		0-4 / 8A
		0-5 / 10A
		0-10 / 20A
		0-15 / 30A
FOR CURRENT TRANSFORMER	5	0-1 / 5A
		0-2.5 / 12.5A
		0-5 / 25A
		0-15 / 75A
		0-25 / 125A
		0-40 / 200A
		0-50 / 250A
		0-60 / 300A
		0-75 / 375A
		0-100 / 500A
		0-150 / 750A
		0-200 / 1000A
		0-250 / 1250A
		0-300 / 1500A
		0-400 / 2000A
0-500 / 2500A		
0-600 / 3000A		



VOLTMETERS, 72MM



RANGE (AC)
0-25V
0-40V
0-150V
0-250V
0-500V

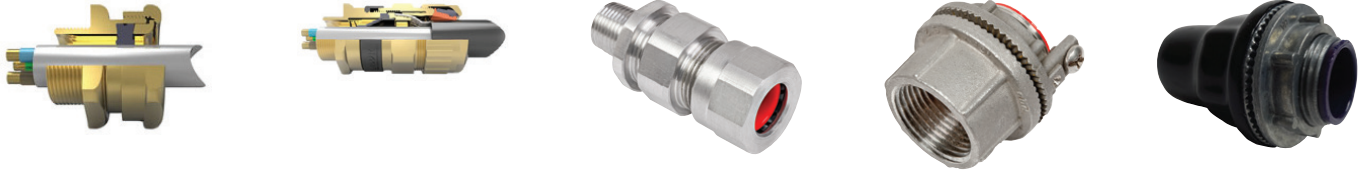


ATEX/IECEx Certified

Ex e II
 IECEx CQM 08.0007U
 II 2G Ex e II
 DNV-2008-OSL
 -ATEX-21659U
 -40°C ≤ Ta ≤ 60°C



HUBS / CABLE GLANDS



FEATURES-SPECIFICATIONS

HAZCON™

Applications

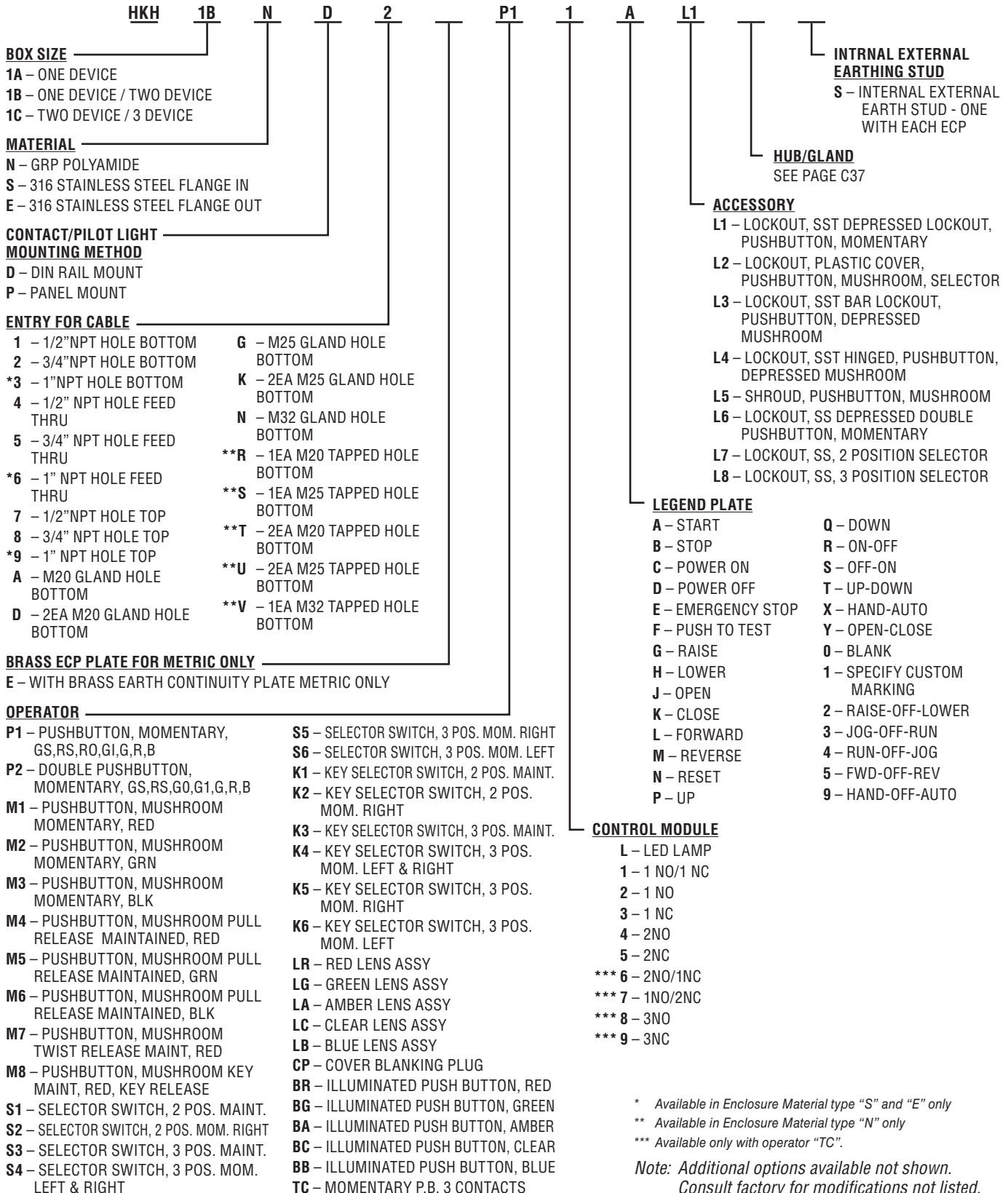
The **421 cable gland** provides a seal on the outer cable sheath and is intended for use on non-armoured elastomer and plastic insulated cables. The cable gland is dual certified Exd and Exe and is suitable for installation in Zone 1 (21) and Zone 2 (22) hazardous areas.

The **MC cable gland** is designed for use with jacketed interlocked, continuously corrugated and welded armor cable. Install where it is essential to provide positive grounding to the cable and for a Type 3, 4 connection.

HUBS/GLANDS	
CATALOG LOGIC NUMBER	DESCRIPTION
H1	421S SINGLE COMP. BRASS GLAND OS-M20
H2	421 SINGLE COMP. BRASS GLAND O-M20
H3	421N SINGLE COMP. BRASS GLAND A-M20
H4	421N SINGLE COMP. BRASS GLAND B-M25
H5	421N SINGLE COMP. BRASS GLAND OS-M20 NAL NICKEL PLATE
H6	421N SINGLE COMP. BRASS GLAND O-M20 NAL NICKEL PLATE
H7	421N SINGLE COMP. BRASS GLAND A-M20 NAL NICKEL PLATE
H8	421N SINGLE COMP. BRASS GLAND B-M25 NAL NICKEL PLATE
H9	421N SINGLE COMP. BRASS GLAND C-M32
HA	421N SINGLE COMP. SS GLAND OS-M20
HB	421N SINGLE COMP. SS GLAND O-M20
HC	421N SINGLE COMP. SS GLAND A-M20
HD	421N SINGLE COMP. SS GLAND B-M25
HE	421N SINGLE COMP. BRASS GLAND C-M32 NAL NICKEL PLATE
HF	421N SINGLE COMP. SS GLAND C-M32
J1	453R SINGLE COMP. BRASS GLAND OS-M20
J2	453R SINGLE COMP. BRASS GLAND O-M20
J3	453R SINGLE COMP. BRASS GLAND A-M20
J4	453R SINGLE COMP. BRASS GLAND B-M25
J5	453R SINGLE COMP. BRASS GLAND OS-M20 NAL NICKEL PLATE
J6	453R SINGLE COMP. BRASS GLAND O-M20 NAL NICKEL PLATE
J7	453R SINGLE COMP. BRASS GLAND A-M20 NAL NICKEL PLATE
J8	453R SINGLE COMP. BRASS GLAND B-M25 NAL NICKEL PLATE
J9	453R SINGLE COMP. BRASS GLAND C-M32
JA	453R SINGLE COMP. SS GLAND OS-M20
JB	453R SINGLE COMP. SS GLAND O-M20
JC	453R SINGLE COMP. SS GLAND A-M20
JD	453R SINGLE COMP. SS GLAND B-M25
JE	453R SINGLE COMP. BRASS GLAND C-M32 NAL NICKEL PLATE
JF	453R SINGLE COMP. SS GLAND C-M32
K1	MC1C JACKETED METAL CLAD CONNECTOR
K2	MC2 JACKETED METAL CLAD CONNECTOR
K3	MC3 JACKETED METAL CLAD CONNECTOR
K4	WH-1G ZINC 1/2" HUB
K5	WH-2G ZINC 3/4" HUB
K6	WH-3G ZINC 1" HUB
K7	WH-SS1G STAINLESS STEEL 1/2" HUB
K8	WH-2SSG STAINLESS STEEL 3/4" HUB
K9	WH-3SSG STAINLESS STEEL 1" HUB
KA	WH-1AG ALUM. 1/2"
KB	WH-2AG ALUM. 3/4"
KC	WH-3AG ALUM. 1" HUB
KD	NMHG1EX PVC COATED 1/2" HUB
KE	NMHG2EX PVC COATED 3/4" HUB
KF	NMHG3EX PVC COATED 1" HUB



CATALOG LOGIC





FACTORY SEALED CONTROLS - INTRODUCTION



Class I, Div. 1 & 2, Groups B*, C, D
Class I, Zone 1 & 2, Groups IIB, IIA
Class II, Div. 1 & 2, Groups E, F, G
Class III
NEMA 3, 7 (C,D) 9 (E,F,G)

Certified File 2493125

Contact Factory for other certification details

FEATURES-SPECIFICATIONS

SEAL-XM™

Applications

Seal-XM™ Factory Sealed push button stations, selector switches, pilot lights and tumbler switches are used to prevent the igniting of external hazardous atmospheres by the enclosed arcing devices in such areas as:

- Hazardous locations due to the presence of flammable gases or vapors, combustible dusts or easily ignitable fibers or flyings
- Installations at petroleum refineries, chemical and petrochemical plants and other processing or storage facilities where similar hazards exist
- Use in conjunction with magnetic starters or contactors for remote control of motors

Features

- Incorporates Factory Sealed Universal contact blocks and GOB3 LED pilot light devices
- External sealing fittings typically not required, reducing installation time and cost
- No seal plate between the electrical device and back box allows direct wiring to contact terminals
- Nema 3 weatherproof
- Grounding boss supplied in the splice box
- Sold as complete units 1/2", 3/4" Dead End and thru feed. 1" hubs available on request
- Standard finish is a grey epoxy powder baked on for ultimate corrosion resistance
- More wiring room in back box

Material & Groups

FXCS-*-M Groups C, D Copper free aluminum cover & box
FXCS-*-MB Groups B, C, D Copper free aluminum cover & box
FXCS-*-MBI Groups B, C, D Copper free aluminum cover & ductile iron back box zinc electroplated
FXCS-*-MI Groups C, D Copper free aluminum cover & ductile iron back box zinc electroplated

Stainless steel captive cover screws

Operating shafts stainless steel

* Group "B" (-MB & -MBI) versions need not be sealed within first 60" of conduit. Sealing fitting required beyond 60"



D2CU
Factory Sealed Contact Block

CONTACT BLOCK CAT. NO. D2CU

USED ON:	DIAGRAM
FXCS-*-M	
FXCS-*-MB	
FXCS-*-MBI	
FXCS-*-MI	

Hazardous Rating:

Class I, Division 2, Groups A,B,C,D Class I, Zone 2, Groups IIB+H2, IIA, T6

Terminal Capacity:

22 thru 12 AWG [0.52-2.5mm²] copper, solid or stranded conductors. Tightening torque: 7 in-lbs. (tolerance +3.0/0.0) [-0.8Nm]

Contact Electrical Ratings:

NEMA A600- 7200 VA (Make), 720 VA (Break), 10 Amps Cont. @600V AC (Thermal)
 NEMA Q300-69 VA (Make & Break), 2.5 Amps Cont. @250V DC (Thermal)

Pilot Light Electrical Ratings:

250 VAC max.



Single Push Button



Double Push Button



LED Pilot Light



LED Pilot Light & Push Button



Push-Pull Mushroom



Selector Switch



FACTORY SEALED CONTROLS - ORDERING INFORMATION 1



Single Push Button



Double Push Button



LED Pilot Light

Class I, Div. 1 & 2, Groups B*, C, D
 Class I, Zone 1 & 2, Groups IIB, IIA
 Class II, Div. 1 & 2, Groups E, F, G
 Class III
 NEMA 3, 7 (C,D) 9 (E,F,G)

Certified File 2493125

FEATURES-SPECIFICATIONS

SEAL-XM MOMENTARY CONTACT SINGLE PUSH BUTTON					
CATALOG NUMBER		HUB SIZE	DIAGRAM	BUTTON COLOR	LEGEND PLATE MARKING ^②
BOX COVER ^①					
DEAD-END	FEED-THRU				
FXCS-1B1-M	FXCS-4B1-M	1/2"		GREEN	START
FXCS-2B1-M	FXCS-5B1-M	3/4"			
FXCS-1B2-M ^③	FXCS-4B2-M ^③	1/2"		RED	STOP
FXCS-2B2-M ^③	FXCS-5B2-M ^③	3/4"			
FXCS-1B3-M	FXCS-4B3-M	1/2"		BLACK	SPECIFY
FXCS-2B3-M	FXCS-5B3-M	3/4"			

SEAL-XM MOMENTARY CONTACT DOUBLE PUSH BUTTON					
CATALOG NUMBER		HUB SIZE	DIAGRAM	BUTTON COLOR	LEGEND PLATE MARKING ^②
BOX & COVER ^①					
DEAD-END	FEED-THRU				
FXCS-1B4-M	FXCS-4B4-M	1/2"		GREEN/RED	START/STOP
FXCS-2B4-M	FXCS-5B4-M	3/4"			
FXCS-1B5-M	FXCS-4B5-M	1/2"		GREEN/GREEN	SPECIFY
FXCS-2B5-M	FXCS-5B5-M	3/4"			
FXCS-1B7-M	FXCS-4B7-M	1/2"		BLACK/BLACK	SPECIFY
FXCS-2B7-M	FXCS-5B7-M	3/4"			

SEAL-XM LED PILOT LIGHT						
CATALOG NUMBER		HUB SIZE	DIAGRAM	VOLT ^③	LENS COLOR	LEGEND PLATE MARKING ^②
BOX & COVER ^①						
DEAD-END	FEED-THRU					
FXCS-1B24CL-M	FXCS-4B24CL-M	1/2"		120V	CLEAR	SPECIFY
FXCS-2B24CL-M	FXCS-5B24CL-M	3/4"				
FXCS-1B24GL-M	FXCS-4B24GL-M	1/2"		120V	GREEN	SPECIFY
FXCS-2B24GL-M	FXCS-5B24GL-M	3/4"				
FXCS-1B24RL-M	FXCS-4B24RL-M	1/2"		120V	RED	SPECIFY
FXCS-2B24RL-M	FXCS-5B24RL-M	3/4"				

① Replace -M with -MB for Group "B" Rating, -MI for Iron Back Box, -MBI for Group "B" and Iron Back Box.
 ② For other than standard legend plate markings refer to 'Custom Legend Plates' on page C59.
 ③ For other than standard 120V lamp, consult factory, or see page C59 to order lamp voltage desired to be changed in field.
 ④ For lockout on Stop Button, add "-LO" to end of catalog number. i.e. FXCS-1B2-M-LO
 * Group "B" (-MB & -MBI) versions need not be sealed within first 60" of conduit. Sealing fittings required beyond 60".



FACTORY SEALED CONTROLS - ORDERING INFORMATION 2



Double LED Pilot Light



Push Button LED Pilot Light



Push/Pull Mushroom

Class I, Div. 1 & 2, Groups B*, C, D
 Class I, Zone 1 & 2, Groups IIB, IIA
 Class II, Div. 1 & 2, Groups E, F, G
 Class III
 NEMA 3, 7 (C,D) 9 (E,F,G)

Certified File 2493125

FEATURES-SPECIFICATIONS

SEAL-XM DOUBLE LED PILOT LIGHT						
CATALOG NUMBER		HUB SIZE	DIAGRAM	LAMP VOLTS④	LENS COLOR③	LEGEND PLATE MARKING②
BOX & COVER①						
DEAD-END	FEED-THRU					
FXCS-1B30CL-M	FXCS-4B30CL-M	1/2"		120V	CLEAR	SPECIFY
FXCS-2B30CL-M	FXCS-5B30CL-M	3/4"				
FXCS-1B30GL-M	FXCS-4B30GL-M	1/2"		120V	GREEN	SPECIFY
FXCS-2B30GL-M	FXCS-5B30GL-M	3/4"				
FXCS-1B30RL-M	FXCS-4B30RL-M	1/2"		120V	RED	SPECIFY
FXCS-2B30RL-M	FXCS-5B30RL-M	3/4"				
FXCS-1B30RL-GL-M	FXCS-4B30RL-GL-M	1/2"		120V	RED/GREEN	SPECIFY
FXCS-2B30RL-GL-M	FXCS-5B30RL-GL-M	3/4"				

SEAL-XM MOMENTARY CONTACT PUSH BUTTON AND LED PILOT LIGHT								
CATALOG NUMBER		HUB SIZE	DIAGRAM	LAMP VOLTS④	BUTTON COLOR	LENS COLOR③	LEGEND PLATE MARKING②	
BOX & COVER①							BUTTON	LENS
DEAD-END	FEED-THRU							
FXCS-1B13-C-M	FXCS-4B13-C-M	1/2"		120V	RED	CLEAR	STOP	SPECIFY
FXCS-2B13-C-M	FXCS-5B13-C-M	3/4"						
FXCS-1B13-O-M	FXCS-4B13-O-M	1/2"		120V	GREEN	GREEN	START	SPECIFY
FXCS-2B13-O-M	FXCS-5B13-O-M	3/4"						
FXCS-1B13-U-M	FXCS-4B13-U-M	1/2"		120V	BLACK	RED	SPECIFY	SPECIFY
FXCS-2B13-U-M	FXCS-5B13-U-M	3/4"						

SEAL-XM MAINTAINED CONTACT PUSH/PULL MUSHROOM						
CATALOG NUMBER		HUB SIZE	DIAGRAM	BUTTON COLOR	LEGEND PLATE MARKING②	
BOX & COVER①						
DEAD-END	FEED-THRU					
FXCS-1MMG3-M	FXCS-4MMG3-M	1/2"		GREEN	START	
FXCS-2MMG3-M	FXCS-5MMG3-M	3/4"				
FXCS-1MMR3-M⑤	FXCS-4MMR3-M⑤	1/2"		RED	STOP	
FXCS-2MMR3-M⑤	FXCS-5MMR3-M⑤	3/4"				
FXCS-1MMK3-M	FXCS-4MMK3-M	1/2"		BLACK	SPECIFY	
FXCS-2MMK3-M	FXCS-5MMK3-M	3/4"				

① Replace -M with -MB for Group "B" Rating, -MI for Iron Back Box, -MBI for Group "B" and Iron Back Box.

② For other than standard legend plate markings refer to 'Custom Legend Plates' on page C59.

③ Lens colors other than listed may be supplied - consult factory for special order.

④ For other than standard 120V lamp, consult factory, or see page C59 to order lamp voltage desired to be changed in field.

⑤ For lockout on Stop Button, add "-LO" to end of catalog number. i.e. FXCS-1MMR3-M-LO

Note: Four nameplates supplied; EMERG STOP, START, STOP, BLANK.

Operation - when push button is depressed contacts will change state. Operator remains in depressed position until pulled out to normal position.

* Group "B" (-MB & -MBI) versions need not be sealed within first 60" of conduit. Sealing fittings required beyond 60".



FACTORY SEALED CONTROLS - ORDERING INFORMATION 3



Two Position Selector Switch



Three Position Selector Switch

Class I, Div. 1 & 2, Groups B*, C, D
 Class I, Zone 1 & 2, Groups IIB, IIA
 Class II, Div. 1 & 2, Groups E, F, G
 Class III
 NEMA 3, 7 (C,D) 9 (E,F,G)

 Certified File 2493125

FEATURES-SPECIFICATIONS

SEAL-XM TWO POSITION SELECTOR SWITCH - MAINTAINED CONTACT				
CATALOG NUMBER		HUB SIZE	LEFT POSITION	RIGHT POSITION
BOX & COVER ^①				
DEAD-END	FEED-THRU			
FXCS-1S2A1-M	FXCS-4S2A1-M	1/2"		
FXCS-2S2A1-M	FXCS-5S2A1-M	3/4"		
FXCS-1S2A5-M	FXCS-4S2A5-M	1/2"		
FXCS-2S2A5-M	FXCS-5S2A5-M	3/4"		

SEAL-XM THREE POSITION SELECTOR SWITCH - MAINTAINED CONTACT					
CATALOG NUMBER		HUB SIZE	LEFT POSITION	CENTER POSITION	RIGHT POSITION
BOX & COVER ^①					
DEAD-END	FEED-THRU				
FXCS-1S3C4-M	FXCS-4S3C4-M	1/2"			
FXCS-2S3C4-M	FXCS-5S3C4-M	3/4"			
FXCS-1S3C5-M	FXCS-4S3C5-M	1/2"			
FXCS-2S3C5-M	FXCS-5S3C5-M	3/4"			

SEAL-XM TWO POSITION SELECTOR SWITCH - SPRING RETURN				
CATALOG NUMBER		HUB SIZE	LEFT POSITION	RIGHT POSITION
BOX & COVER ^①				
DEAD-END	FEED-THRU			
FXCS-1S2L3F-M	FXCS-4S2L3F-M	1/2"		
FXCS-2S2L3F-M	FXCS-5S2L3F-M	3/4"		

SELECTOR SWITCH OPERATION - SPRING RETURN TO LEFT FROM RIGHT - MAINTAINED IN LEFT.

SEAL-XM THREE POSITION SELECTOR SWITCH - SPRING RETURN					
CATALOG NUMBER		HUB SIZE	LEFT POSITION	CENTER POSITION	RIGHT POSITION
BOX & COVER ^①					
DEAD-END	FEED-THRU				
FXCS-1S3M6G-M	FXCS-4S3M6G-M	1/2"			
FXCS-2S3M6G-M	FXCS-5S3M6G-M	3/4"			
SPRING RETURN TO CENTER FROM LEFT AND RIGHT - MAINTAINED CENTER					
FXCS-1S3L6G-M	FXCS-4S3L6G-M	1/2"			
FXCS-2S3L6G-M	FXCS-5S3L6G-M	3/4"			
SPRING RETURN TO CENTER FROM RIGHT - MAINTAINED CENTER AND LEFT					
FXCS-1S3R6G-M	FXCS-4S3R6G-M	1/2"			
FXCS-2S3R6G-M	FXCS-5S3R6G-M	3/4"			
SPRING RETURN TO CENTER FROM LEFT - MAINTAINED CENTER AND RIGHT					

① Replace -M with -MB for Group "B" Rating, -MI for Iron Back Box, -MBI for Group "B" and Iron Back Box.
 * Group "B" (-MB & -MBI) versions need not be sealed within first 60" of conduit. Sealing fittings required beyond 60".
 For other than standard marking, see page C59 and order separately or as modified products.
 STANDARD NAMEPLATE MARKINGS – 2 Positions – BLANK & OFF-ON – 3 Position – BLANK or HAND-OFF-AUTO



FACTORY SEALED CONTROLS - ORDERING INFORMATION 4



Keyed Selector Switch

Class I, Div. 1 & 2, Groups B*, C, D
 Class I, Zone 1 & 2, Groups IIB, IIA
 Class II, Div. 1 & 2, Groups E, F, G
 Class III
 NEMA 3, 7 (C,D) 9 (E,F,G)

Certified File 2493125

FEATURES-SPECIFICATIONS

SEAL-XM TWO POSITION KEYED SELECTOR SWITCH - MAINTAINED CONTACT				
CATALOG NUMBER		HUB SIZE	LEFT POSITION	RIGHT POSITION
BOX & COVER ^①				
DEAD-END	FEED-THRU			
FXCS-1K2A1-M	FXCS-4K2A1-M	1/2"		
FXCS-2K2A1-M	FXCS-5K2A1-M	3/4"		
FXCS-1K2A5-M	FXCS-4K2A5-M	1/2"		
FXCS-2K2A5-M	FXCS-5K2A5-M	3/4"		

SEAL-XM THREE POSITION KEYED SELECTOR SWITCH - MAINTAINED CONTACT					
CATALOG NUMBER		HUB SIZE	LEFT POSITION	CENTER POSITION	RIGHT POSITION
BOX & COVER ^①					
DEAD-END	FEED-THRU				
FXCS-1K3C4-M	FXCS-4K3C4-M	1/2"			
FXCS-2K3C4-M	FXCS-5K3C4-M	3/4"			
FXCS-1K3C5-M	FXCS-4K3C5-M	1/2"			
FXCS-2K3C5-M	FXCS-5K3C5-M	3/4"			

SEAL-XM TWO POSITION KEYED SELECTOR SWITCH - SPRING RETURN				
CATALOG NUMBER		HUB SIZE	LEFT POSITION	RIGHT POSITION
BOX & COVER ^①				
DEAD-END	FEED-THRU			
FXCS-1K2L3F22D-M	FXCS-4K2L3F22D-M	1/2"		
FXCS-2K2L3F22D-M	FXCS-5K2L3F22D-M	3/4"		

SELECTOR SWITCH OPERATION - SPRING RETURN TO LEFT FROM RIGHT - MAINTAINED IN LEFT.

SEAL-XM THREE POSITION KEYED SELECTOR SWITCH - SPRING RETURN					
CATALOG NUMBER		HUB SIZE	LEFT POSITION	CENTER POSITION	RIGHT POSITION
BOX & COVER ^①					
DEAD-END	FEED-THRU				
FXCS-1K3M6G32D-M	FXCS-4K3M6G32D-M	1/2"			
FXCS-2K3M6G32D-M	FXCS-5K3M6G32D-M	3/4"			
SELECTOR SWITCH - OPERATION - SPRING RETURN TO CENTER FROM LEFT AND RIGHT - MAINTAINED IN CENTER					
FXCS-1K3L6G32D-M	FXCS-4K3L6G32D-M	1/2"			
FXCS-2K3L6G32D-M	FXCS-5K3L6G32D-M	3/4"			
SELECTOR SWITCH - OPERATION - SPRING RETURN TO CENTER FROM RIGHT - MAINTAINED CENTER AND LEFT					
FXCS-1K3R6G32D-M	FXCS-4K3R6G32D-M	1/2"			
FXCS-2K3R6G32D-M	FXCS-5K3R6G32D-M	3/4"			

SELECTOR SWITCH - OPERATION - SPRING RETURN TO CENTER FROM LEFT - MAINTAINED CENTER AND RIGHT

① Replace -M with -MB for Group "B" Rating, -MI for Iron Back Box, -MBI for Group "B" and Iron Back Box.

* Group "B" (-MB & -MBI) versions need not be sealed within first 60" of conduit. Sealing fittings required beyond 60". Randomly Keyed. For keyed alike Maintained Contact Switch add "A" to cat. No. ie. FXCS-1K2A1A-M. For keyed alike Spring Return Switch replace "D" with "A" in cat. No. ie. FXCS-1K2L3F22A-M

For other than standard marking, see page C59 and order separately or as modified products.

STANDARD NAMEPLATE MARKINGS – 2 Positions – BLANK & OFF-ON – 3 Positon – BLANK or HAND-OFF-AUTO



FACTORY SEALED CONTROLS



Class I, Div. 1 & 2, Groups C,D
 Class I, Zones 1 & 2, Groups IIB, IIA
 Class II, Div. 1 & 2, Groups E,F,G
 Class III
 NEMA 3, 7(C,D) 9(E,F,G)

LISTED - File E53360

Certified - File LR11714
 See files for details or call Killark.

FEATURES-SPECIFICATIONS

Applications

FXCS Series Factory Sealed push button stations, selector switches, pilot lights and tumbler switches are used to prevent the igniting of external hazardous atmospheres by the enclosed arcing devices in such areas as:

- Hazardous locations due to the presence of flammable gases or vapors, combustible dusts or easily ignitable fibers or flyings
- Installations at petroleum refineries, chemical and petrochemical plants and other processing or storage facilities where similar hazards exist
- Use in conjunction with magnetic starters or contactors for remote control of motors

Features

- Elimination of external sealing requirements
- Lower installation cost
- Nema 3 weatherproof
- Color coded wiring-more wiring space-easier field installation
- Stainless steel captive screws for cover assembly
- Lockout accessory available must be factory installed.

- Ground boss for grounding in the splice box
- Device bodies and covers are cast copper-free aluminum alloy
- Cast conduit hubs 1/2", 3/4" and 1" either dead end or feed through standard in both single and two gang assemblies
- Push button, selector switches and pilot light bodies are copper-free aluminum
- Operating shaft in both push buttons and selector switches are stainless steel
- Miniature and standard size push buttons. (Miniature 3/4" overall diameter, standard 1 3/8" overall diameter)

Factory Sealed devices eliminate the need for external sealing. The difference is the use of a sealing plate between the arcing device and the junction box. The sealing plate confines ignited gases, vapors, flames, or dust to the arcing device chamber, preventing them from traveling through the conduit system. Accurately ground flanges on both sides of the sealing plate provide flame-tight joints. Factory poured seals around the wiring pigtailed insure safe sealing. (FXCS Series)

Electrical Rating

Push button stations, selector switches 600 VAC max. heavy duty.

Pilot Light Electrical Ratings:
 250 VAC max.

CONTACT BLOCK RATINGS – A600				
CURRENT	120 VAC	240 VAC	480 VAC	600 VAC
INRUSH	60	30	15	12
BREAKING	6	3	1.5	1.2
CARRYING	10	10	10	10

DC RATINGS (MAX. AMPS) – P600		
CURRENT	125 VDC	250 VDC
INRUSH	.55	.27
BREAKING	.55	.27
CARRYING	2.55	2.55

MODIFICATIONS	
SUFFIX NUMBER	DESCRIPTION
AL	PILOT LIGHT LENS-AMBER
CL	PILOT LIGHT LENS-CLEAR
GL	PILOT LIGHT LENS-GREEN
RL	PILOT LIGHT LENS-RED
MR	MUSHROOM HEAD-PUSH BUTTON (RED)
LO	PUSH BUTTON LOCKOUT
LOP	SELECTOR SWITCH-PADLOCK LOCKOUT

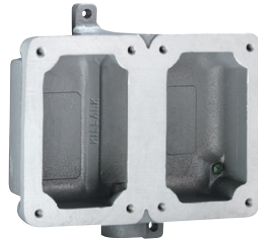
LED lamps available. See page C59.



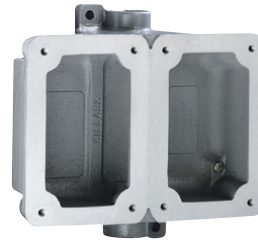
FACTORY SEALED SPLICE BOXES / SEALING METHODS



FXB-2
Dead End **FXB-5**
Feed Thru



FXB-8
Double Gang Dead End



FXB-11
Double Gang Feed Thru

Class I, Div. 1 & 2, Groups C,D
Class I, Zones 1 & 2, Groups IIB, IIA
Class II, Div. I & 2, Groups E,F,G
Class III
NEMA 3, 7(C,D) 9(E,F,G)

LISTED - File E53360

Certified- File LR11714
See files for details or call Killark.

FEATURES-SPECIFICATIONS

Splice Boxes

The FXB Series of splice boxes are designed for use with the FXCS and FXS Series of cover sub-assemblies.

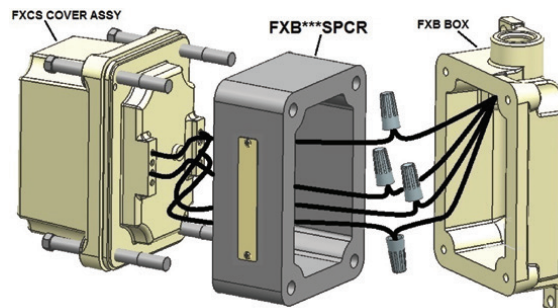
FXB BACK BOX SELECTION AND DIMENSIONS							
CATALOG NUMBER	DESCRIPTION	HUB SIZE	EXTERNAL			MOUNTING	
			LENGTH	WIDTH	DEPTH	VERTICAL	HORIZONTAL
FXB-1	SINGLE GANG/DEAD-END	1/2"	6-13/16"	3-11/16"	1-3/4"	6-3/16"	2-1/4"
FXB-2	SINGLE GANG/DEAD-END	3/4"	6-13/16"	3-11/16"	1-3/4"	6-3/16"	2-1/4"
FXB-3	SINGLE GANG/DEAD-END	1"	6-13/16"	3-11/16"	1-3/4"	6-3/16"	2-1/4"
FXB-4	SINGLE GANG/FEED-THRU	1/2"	6-13/16"	3-11/16"	1-3/4"	6-3/16"	2-1/4"
FXB-5	SINGLE GANG/FEED-THRU	3/4"	6-13/16"	3-11/16"	1-3/4"	6-3/16"	2-1/4"
FXB-6	SINGLE GANG/FEED-THRU	1"	6-13/16"	3-11/16"	1-3/4"	6-3/16"	2-1/4"
FXB-7	DOUBLE GANG/DEAD-END	1/2"	6-13/16"	7-17/32"	2	6-3/16"	2-1/4"
FXB-8	DOUBLE GANG/DEAD-END	3/4"	6-13/16"	7-17/32"	2	6-3/16"	2-1/4"
FXB-9	DOUBLE GANG/DEAD-END	1"	7	7-17/32"	2	6-3/16"	2-1/4"
FXB-10	DOUBLE GANG/FEED-THRU	1/2"	6-13/16"	7-17/32"	2	6-3/16"	2-1/4"
FXB-11	DOUBLE GANG/FEED-THRU	3/4"	6-13/16"	7-17/32"	2	6-3/16"	2-1/4"
FXB-12	DOUBLE GANG/FEED-THRU	1"	7	7-17/32"	2	6-3/16"	2-1/4"

FXB BLANK COVER	
CATALOG NUMBER	DESCRIPTION
FX-10	BLANK COVER FOR FXB



FXB SPACER ①	
CATALOG NUMBER	DESCRIPTION
FXB075SPCR	SPACER, 3/4" ADDITIONAL DEPTH
FXB10SPCR	SPACER, 1" ADDITIONAL DEPTH
FXB15SPCR	SPACER, 1 1/2" ADDITIONAL DEPTH
FXB20SPCR	SPACER, 2" ADDITIONAL DEPTH

① When using FXB spacers, application of hazardous area derates control station to Class I Div. 2, Class II, III Grps. C,D,E,F,G hazardous locations only





FACTORY SEALED COVER ASSEMBLIES



2 Gang Box and Two Cover Assemblies

Class I, Div. 1 & 2, Groups C,D
 Class I, Zones 1 & 2, Groups IIB, IIA
 Class II, Div. I & 2, Groups E, F, G
 Class III
 NEMA 3, 7(C,D) 9(E,F,G)

LISTED - File E53360 and/or E12379

Certified - File LR11714
 See files for details or call Killark.

FEATURES-SPECIFICATIONS

FXCS MOMENTARY CONTACT SINGLE PUSH BUTTON						
COVER WITH DEVICE	COMPLETE UNITS (BOX & COVER)		HUB SIZE	DIAGRAM	BUTTON COLOR	NAMEPLATE MARKING ^①
	DEAD-END	FEED-THRU				
FXCS-0B1	FXCS-1B1	FXCS-4B1	1/2"		GREEN	START
	FXCS-2B1	FXCS-5B1	3/4"			
FXCS-0B2	FXCS-1B2	FXCS-4B2	1/2"		RED	STOP
	FXCS-2B2	FXCS-5B2	3/4"			
FXCS-0B3	FXCS-1B3	FXCS-4B3	1/2"		BLACK	SPECIFY
	FXCS-2B3	FXCS-5B3	3/4"			

FXCS MOMENTARY CONTACT DOUBLE PUSH BUTTON						
COVER WITH DEVICE	COMPLETE UNITS (BOX & COVER)		HUB SIZE	DIAGRAM	BUTTON COLOR	NAMEPLATE MARKING ^①
	DEAD-END	FEED-THRU				
FXCS-0B4	FXCS-1B4	FXCS-4B4	1/2"		GREEN/RED	START/STOP
	FXCS-2B4	FXCS-5B4	3/4"			
FXCS-0B4U	FXCS-1B4-U	FXCS-4B4-U	1/2"		GREEN/RED	START/STOP
	FXCS-2B4-U	FXCS-5B4-U	3/4"			
FXCS-0B5	FXCS-1B5	FXCS-4B5	1/2"		GREEN/GREEN	SPECIFY
	FXCS-2B5	FXCS-5B5	3/4"			
FXCS-0B7	FXCS-1B7	FXCS-4B7	1/2"		BLACK/BLACK	SPECIFY
	FXCS-2B7	FXCS-5B7	3/4"			

FXCS PILOT LIGHT							
COVER WITH DEVICE	COMPLETE UNITS (BOX & COVER)		HUB SIZE	DIAGRAM	VOLT	LENS COLOR ^②	NAMEPLATE MARKING ^①
	DEAD-END	FEED-THRU					
FXCS-0B24CL	FXCS-1B24-CL	FXCS-4B24-CL	1/2"		120V	CLEAR	SPECIFY
	FXCS-2B24-CL	FXCS-5B24-CL	3/4"				
FXCS-0B24GL	FXCS-1B24-GL	FXCS-4B24-GL	1/2"		120V	GREEN	SPECIFY
	FXCS-2B24-GL	FXCS-5B24-GL	3/4"				
FXCS-0B24RL	FXCS-1B24-RL	FXCS-4B24-RL	1/2"		120V	RED	SPECIFY
	FXCS-2B24-RL	FXCS-5B24-RL	3/4"				

^① For other than standard marking, see page C59 and order separately or as modified products.

^② Lens colors other than listed may be specified by changing lens color suffix. See modifications page C44.

NOTE: Boxes and covers shipped separately.

* For control stations with 1" conduit openings or for double gang assemblies, order cover with device and box as separate components.



FACTORY SEALED CONTROL STATION COVER ASSEMBLIES



Pilot Light and 2 Mini P.B.
(Box and Cover)



Double Pilot Lights
(Box and Cover)



Maintained Push Button
(Box and Cover)

Class I, Div. 1 & 2, Groups C, D
Class I, Zones 1 & 2, Groups IIB, IIA
Class II, Div. I & 2, Groups E, F, G Class III
NEMA 3, 7 (C, D) 9 (E, F, G)

LISTED - File E53360 and /or E12379

Certified - File LR11714
See files for details or call Killark.

FEATURES-SPECIFICATIONS

FXCS DOUBLE PILOT LIGHTS							
COVER WITH DEVICE	COMPLETE UNITS (BOX & COVER)		HUB SIZE	DIAGRAM	LAMP VOLTS	LENS COLOR ^②	NAMEPLATE MARKING ^①
	DEAD-END	FEED-THRU					
FXCS-0B30CL	FXCS-1B30-CL	FXCS-4B30-CL	1/2"		120V	CLEAR	SPECIFY
	FXCS-2B30-CL	FXCS-5B30-CL	3/4"				
FXCS-0B30GL	FXCS-1B30-GL	FXCS-4B30-GL	1/2"		120V	GREEN	SPECIFY
	FXCS-2B30-GL	FXCS-5B30-GL	3/4"				
FXCS-0B30RL	FXCS-1B30-RL	FXCS-4B30-RL	1/2"		120V	RED	SPECIFY
	FXCS-2B30-RL	FXCS-5B30-RL	3/4"				
FXCS-0B30RL-GL	FXCS-1B30RL-GL	FXCS-4B30RL-GL	1/2"		120V	RED/GREEN	SPECIFY
	FXCS-2B30RL-GL	FXCS-5B30RL-GL	3/4"				

FXCS MOMENTARY CONTACT PUSH BUTTON AND PILOT LIGHT									
COVER WITH DEVICE	COMPLETE UNITS (BOX & COVER)		HUB SIZE	DIAGRAM	LAMP VOLTS	BUTTON COLOR	LENS COLOR ^②	NAMEPLATE MARKING ^①	
	DEAD-END	FEED-THRU						BUTTON	LENS
FXCS-0B13-C	FXCS-1B13-C	FXCS-4B13-C	1/2"		120V	RED	CLEAR	STOP	SPECIFY
	FXCS-2B13-C	FXCS-5B13-C	3/4"						
FXCS-0B13-0	FXCS-1B13-0	FXCS-4B13-0	1/2"		120V	GREEN	GREEN	START	SPECIFY
	FXCS-2B13-0	FXCS-5B13-0	3/4"						
FXCS-0B13-U	FXCS-1B13-U	FXCS-4B13-U	1/2"		120V	BLACK	RED	SPECIFY	SPECIFY
	FXCS-2B13-U	FXCS-5B13-U	3/4"						

FXCS MOMENTARY CONTACT 2 MINI PUSH BUTTON AND 1 PILOT LIGHT									
COVER WITH DEVICE	COMPLETE UNITS (BOX & COVER)		HUB SIZE	DIAGRAM	BUTTON COLOR	LENS COLOR ^②	NAMEPLATE MARKING ^①		
	DEAD-END	FEED-THRU					BUTTON	LENS	
FXCS-0A15	FXCS-1A15	FXCS-4A15	1/2"		RED/GREEN	RED	STOP	START	SPECIFY
	FXCS-2A15	FXCS-5A15	3/4"						

FXCS MAINTAINED CONTACT - PUSH/PULL MUSHROOM ^④				
BUTTON COLOR	CONTACT TYPE	COVER ASSEMBLY CAT. #	CATALOG # WITH LOCKOUT #	NAMEPLATE MARKING
GREEN	1NO/1NC	FXCS-OMMG3	FXCS-OMMR3-LOM	③
RED	1NO/1NC	FXCS-OMMR3		
BLACK	1NO/1NC	FXCS-OMMK3		

① For other than standard marking, see page C59 and order separately or as modified products.

② Lens colors other than listed may be specified by changing lens color suffix. See modifications page C44.

③ Three nameplates supplied (Start/Stop, Blank, Emergency Stop) with FXCS maintained push button.

④ Operation-when push button is depressed and contacts activated, operator will remain in depressed position until pulled out to normal position.

NOTE: Boxes and covers shipped separately.

* For control stations with 1" conduit opening or for double gang assemblies, order cover with device and box as separate components.



FACTORY SEALED COVER ASSEMBLIES



Selector Switch
(Box and Cover)



Keyed Selector Switch
(Box and Cover)

Class I, Div. 1 & 2, Groups C, D
Class I, Zones 1 & 2, Groups IIB, IIA
Class II, Div. I & 2, Groups E, F, G Class III
NEMA 3, 7 (C, D) 9 (E, F, G)

LISTED - File E53360 and/or E12379

Certified - File LR11714
See files for details or call Killark.

FEATURES-SPECIFICATIONS

FXCS TWO POSITION SELECTOR SWITCH – MAINTAINED CONTACT ^①										
CATALOG NUMBER							LEFT POSITION		RIGHT POSITION	
STANDARD COVER WITH DEVICE	HUB SIZE	STANDARD COMPLETE UNITS (BOX & COVER)		KEYED COVER WITH DEVICE	KEYED COMPLETE UNITS ^② (BOX & COVER)		LEFT CONTACT	RIGHT CONTACT	LEFT CONTACT	RIGHT CONTACT
		DEAD-END	FEED-THRU		DEAD-END	FEED-THRU				
FXCS-0S2A1	1/2"	FXCS-1S2A1	FXCS-4S2A1	FXCS-0K2A1	FXCS-1K2A1	FXCS-4K2A1				
FXCS-0S2A1	3/4"	FXCS-2S2A1	FXCS-5S2A1		FXCS-2K2A1	FXCS-5K2A1				
FXCS-0S2A5	1/2"	FXCS-1S2A5	FXCS-4S2A5	FXCS-0K2A5	FXCS-1K2A5	FXCS-4K2A5				
FXCS-0S2A5	3/4"	FXCS-2S2A5	FXCS-5S2A5		FXCS-2K2A5	FXCS-5K2A5				

FXCS THREE POSITION SELECTOR SWITCH – MAINTAINED CONTACT ^①												
CATALOG NUMBER							LEFT POSITION		CENTER POSITION		RIGHT POSITION	
STANDARD COVER WITH DEVICE	HUB SIZE	STANDARD COMPLETE UNITS (BOX & COVER)		KEYED COVER WITH DEVICE	KEYED COMPLETE UNITS ^② (BOX & COVER)		LEFT CONTACT	RIGHT CONTACT	LEFT CONTACT	RIGHT CONTACT	LEFT CONTACT	RIGHT CONTACT
		DEAD-END	FEED-THRU		DEAD-END	FEED-THRU						
FXCS-0S3C4	1/2"	FXCS-1S3C4	FXCS-4S3C4	FXCS-0K3C4	FXCS-1K3C4	FXCS-4K3C4						
FXCS-0S3C4	3/4"	FXCS-2S3C4	FXCS-5S3C4		FXCS-2K3C4	FXCS-5K3C4						
FXCS-0S3C5	1/2"	FXCS-1S3C5	FXCS-4S3C5	FXCS-0K3C5	FXCS-1K3C5	FXCS-4K3C5						
FXCS-0S3C5	3/4"	FXCS-2S2A5	FXCS-5S3C5		FXCS-2K3C5	FXCS-5K3C5						

FXCS TWO POSITION SELECTOR SWITCH – SPRING RETURNED – 1 N.O./1 N.C. ^①										
CATALOG NUMBER							LEFT POSITION		RIGHT POSITION	
STANDARD COVER WITH DEVICE	HUB SIZE	STANDARD COMPLETE UNITS (BOX & COVER)		KEYED COVER WITH DEVICE	KEYED COMPLETE UNITS ^② (BOX & COVER)		LEFT CONTACT	RIGHT CONTACT	LEFT CONTACT	RIGHT CONTACT
		DEAD-END	FEED-THRU		DEAD-END	FEED-THRU				
FXCS-0S2L3F	1/2"	FXCS-1S2L3F	FXCS-4S2L3F	FXCS-0K2L3F22D	FXCS-1K2L3F22D	FXCS-4K2L3F22D				
FXCS-0S2L3F	3/4"	FXCS-2S2L3F	FXCS-5S2L3F		FXCS-2K2L3F22D	FXCS-5K2L3F22D				

TYPE OPERATION – Spring return to left from right – Maintained in left – 1 N.O. Contact – 1 N.C. Contact

FXCS THREE POSITION SELECTOR SWITCH – SPRING RETURNED – 2 N.O. ^①												
CATALOG NUMBER							LEFT POSITION		CENTER POSITION		RIGHT POSITION	
STANDARD COVER WITH DEVICE	HUB SIZE	STANDARD COMPLETE UNITS (BOX & COVER)		KEYED COVER WITH DEVICE	KEYED COMPLETE UNITS ^② (BOX & COVER)		LEFT CONTACT	RIGHT CONTACT	LEFT CONTACT	RIGHT CONTACT	LEFT CONTACT	RIGHT CONTACT
		DEAD-END	FEED-THRU		DEAD-END	FEED-THRU						
FXCS-0S3M6G	1/2"	FXCS-1S3M6G	FXCS-4S3M6G	FXCS-0K3M6G32D	FXCS-1K3M6G32D	FXCS-4K3M6G32D						
FXCS-0S3M6G	3/4"	FXCS-2S3M6G	FXCS-5S3M6G		FXCS-2K3M6G32D	FXCS-5K3M6G32D						
FXCS-0S3L6G	1/2"	FXCS-1S3L6G	FXCS-4S3L6G	FXCS-0K3L6G32D	FXCS-1K3L6G32D	FXCS-4K3L6G32D						
FXCS-0S3L6G	3/4"	FXCS-2S3L6G	FXCS-5S3L6G		FXCS-2K3L6G32D	FXCS-5K3L6G32D						
FXCS-0S3R6G	1/2"	FXCS-1S3R6G	FXCS-4S3R6G	FXCS-0K3R6G32D	FXCS-1K3R6G32D	FXCS-4K3R6G32D						
FXCS-0S3R6G	3/4"	FXCS-2S3R6G	FXCS-5S3R6G		FXCS-2K3R6G32D	FXCS-5K3R6G32D						

TYPE OPERATION – Spring return to center from left or right – Maintained in center – 2 N.O. Contacts

TYPE OPERATION – Spring return to center from right – Maintained center and left 2 N.O. Contacts

TYPE OPERATION – Spring return to center from left – Maintained center and right 2 N.O. Contacts

① For other than standard marking, see page C59 and order separately or as modified products.

STANDARD NAMEPLATE MARKINGS – 2 Position – BLANK or OFF-ON – 3 Position – BLANK or HAND-OFF-AUTO.

② Key operated selector switches are randomly keyed with keys removable in all positions. For keyed alike or key removable in other than all positions contact factory. For control stations with 1" conduit opening or for double gang assemblies, order cover with device and box as separate components.



CONTROLS

FACTORY SEALED TUMBLER SWITCHES AND GROUND FAULT INTERRUPTER



Tumbler Switch Complete Unit (Box and Cover)



Ground Fault Interrupter Complete Unit (Box and Cover)



For GFI Protection with Receptacle, See page PR20

Class I, Div. 1 & 2, Groups C, D
 Class I, Zones 1 & 2, Groups IIB, IIA
 Class II, Div. 1 & 2, Groups E, F, G
 Class III
 NEMA 3, 7 (C, D) 9 (E, F, G)

FEATURES-SPECIFICATIONS

Applications

FXS Tumbler Switches are suitable for applications where making, breaking or changing connections in an electrical circuit is required and where conditions of load do not exceed the switch ratings.

LISTED - File E53360 and/or Ffile E10501

Certified - File LR11712
 See files for details or call Killark.

Applications

FXS Ground Fault Interrupters are designed to interrupt a circuit when a ground fault is detected on equipment which may be handled by personnel in hazardous locations.

Features

- Test and Reset push buttons are provided on cover assembly. Unit should be tested monthly
- Includes new GFI to meet latest UL943 GFCI standards revisions
- Exterior gasket provides NEMA 3 weatherproof protection
- Ground boss for grounding in the splice box
- Color coded wiring
- Captive cover bolts are made from stainless steel

Electrical Rating

GFI units are rated at 20A, 120 VAC, 60HZ. Class A.
 4-6 milliamp trip setting
 Trip Time-UL Curve

LISTED - File E80595

Certified - File LR61895
 See files for details or call Killark.

FXS TUMBLER SWITCHES					
CATALOG NUMBER			HUB SIZE	SWITCH STYLE	SWITCH RATING 120/277 VAC, 1Ø
COVER WITH SWITCH	COMPLETE UNIT (BOX, COVER AND SWITCH)				
	DEAD-END	FEED-THRU			
FXS-1C	FXS-11C	FXS-41C	1/2"	1-POLE	20 Aⓐ
	FXS-21C	FXS-51C	3/4"		
FXS-2C	FXS-12C	FXS-42C	1/2"	2-POLE	20 Aⓐ
	FXS-22C	FXS-52C	3/4"		
FXS-8C	FXS-18C	FXS-48C	1/2"	3-POLE	ⓑ
	FXS-28C	FXS-58C	3/4"		
FXS-3C	FXS-13C	FXS-43C	1/2"	3-WAY/ SPDT (NO OFF)	20 Aⓐ
	FXS-23C	FXS-53C	3/4"		
FXS-5C	FXS-15C	FXS-45C	1/2"	SPDT (CENTER OFF)	20 Aⓐ
	FXS-25C	FXS-55C	3/4"		
FXS-6C	FXS-16C	FXS-46C	1/2"	DPDT (NO OFF)	20 Aⓐ
	FXS-26C	FXS-56C	3/4"		
FXS-1D	FXS-11D	FXS-41D	1/2"	1-POLE	30 Aⓐ
	FXS-21D	FXS-51D	3/4"		
FXS-2D	FXS-12D	FXS-42D	1/2"	2-POLE	30 Aⓐ
	FXS-22D	FXS-52D	3/4"		
FXS-4C	—	—	—	4-WAY	20 Aⓐ

ⓐ Rated 15 amperes, 240/480 VAC., 3Ø; 3HP-240 VAC., 5 HP-480 VAC.

ⓑ Horsepower rated 1 HP at 120 VAC, 2 HP at 240 VAC.

FXS GROUND FAULT INTERRUPTER†				
CATALOG NUMBER			HUB SIZE	
COMPLETE UNIT	COVER ASSEMBLY	BACK BOX*	DEAD END	1/2"
FXS-GFI-1020	FXS-GFI03	FXB-1		DEAD END
FXS-GFI-2020	FXS-GFI03	FXB-2	1"	
FXS-GFI-3020	FXS-GFI03	FXB-3	FEED THRU	
FXS-GFI-1120	FXS-GFI03	FXB-4		3/4"
FXS-GFI-2120	FXS-GFI03	FXB-5		1"
FXS-GFI-3120	FXS-GFI03	FXB-6		

For control stations with 1" conduit opening or for double gang assemblies, order cover with device and box as separate components.

* Boxes and covers shipped separately.

† See page DE25 for additional ground fault control stations.

FXS GROUND FAULT INTERRUPTER WITH LED LAMP	
CATALOG NUMBER FOR COVER ASSEMBLY	FXS-GFI03PL

* Order FXB back box as separate item.



CONTROL STATIONS EXTERNAL SEALING REQUIRED



Class I, Div. 1 & 2, Groups C, D
 Class I, Zones 1 & 2, Groups IIB, IIA
 Class II, Div. 1 & 2, Groups E, F, G
 Class III
 NEMA 7 (C, D) 9 (E, F, G)

LISTED - File E53360

Certified - File LR11714, LR11712
 See files for details or call Killark.

FEATURES-SPECIFICATIONS

Applications

- Hazardous locations due to the presence of flammable gases or vapors, combustible dusts or easily ignitable fiber or flyings
- Installations at petroleum refineries, chemical and petrochemical plants and other processing or storage facilities where similar hazards exist
- Use in conjunction with magnetic starters or contactors for remote control of motors

Features

- Device bodies and covers are cast copperfree Aluminum alloy and provide a wide assortment for custom assemblies
- Cast conduit hubs 1/2", 3/4" and 1" either dead end or feed thru standard in both single and two gang, SWB-1 thru SWB-12 device bodies
- SWB-13 thru SWB-38 are designed for custom drilled and tapped conduit openings on all four sides and the back
- Ground flange joint between bolted cover and box provide required flame path
- Push button, selector switches and pilot light operator bodies are copper-free aluminum
- Operating shaft in both push buttons and selector switches are stainless steel
- Open space between gangs for easy wiring from one cover to another

- Miniature and standard size push buttons. (Miniature 3/4" overall diameter, standard 1-3/8" overall diameter.)
- Contact blocks are rated heavy duty, 600 VAC max
- Internal ground screw

Electrical Rating

Push button stations, selector switches heavy duty 600 VAC max.
 Pilot lights 250 VAC max.

XCS Special Assemblies

To order XCS cover assemblies for use with multi-gang or 1" hub type SWB Series splice boxes, simply order as follows:

- Example: **XCS-0B1** – Cover Assembly
SWB-6 – Splice box with 1" feed thru hubs
- Example: **XCS-0B1** – Cover Assembly
XCS-0B24-RL – Cover Assembly
SWB-12 – Double gang splice box

NOTE: Splice boxes and cover assemblies are packaged in separate cartons.

MODIFICATIONS	
CATALOG SUFFIX	DESCRIPTION
AL	Pilot light lens-amber
CL	Pilot light lens-clear
GL	Pilot light lens-green
RL	Pilot light lens-red
T2	ⓈPilot light transformer – 220/110VAC
T4	ⓈPilot light transformer – 440/110VAC
MR	Mushroom head push button (red)
LO	Push button lockoutⓈ
LOP	Selector switch padlock-lockout
SU1	Stainless steel cover screws

Ⓢ One transformer required for each pilot light. Deep device bodies required for all except single pilot light units when transformers are used.
 Ⓢ Push button lockout must be factory installed. LED lamps available. See page C59.

CONTACT BLOCK RATINGS – A600				
CURRENT	120 VAC	240 VAC	480 VAC	600 VAC
INRUSH	60	30	15	12
BREAKING	6	3	1.5	1.2
CARRYING	10	10	10	10

DC RATINGS (MAX. AMPS) – P600		
CURRENT	125 VAC	250 VAC
INRUSH	55	.27
BREAKING	55	.27
CARRYING	2.55	2.55



CONTROLS

DEVICE BODIES FOR USE WITH XCS / XS / XST COVER ASSEMBLIES



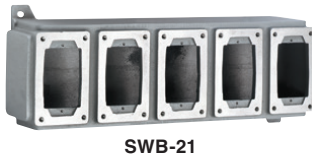
SWB-18

Class I, Div. 1 & 2, Groups C, D
Class I, Zones 1 & 2, Groups IIB, IIA
Class II, Div. 1 & 2, Groups E, F, G
Class III
NEMA 7 (C, D) 9 (E, F, G)

UL LISTED - File E53360

SP Certified - LR11712
See files for details or call Killark.

FEATURES-SPECIFICATIONS



SWB DEVICE BODIES AND DIMENSIONS						
CATALOG NUMBER	HUB SIZE	EXTERNAL			MOUNTING	
		LENGTH	WIDTH	DEPTH	VERTICAL	HORIZONTAL
SWB-1	1/2"	5-7/8"(149)	3"(76)	2-1/4"(57)	5-3/8"(137)	2-3/8"(60)
SWB-2	3/4"	5-7/8"(149)	3"(76)	2-1/4"(57)	5-3/8"(137)	2-3/8"(60)
SWB-3	1"	5-7/8"(149)	3"(76)	2-1/4"(57)	5-3/8"(137)	2-3/8"(60)
SWB-4	1/2"	5-7/8"(149)	3"(76)	2-1/4"(57)	5-3/8"(137)	2-3/8"(60)
SWB-5	3/4"	5-7/8"(149)	3"(76)	2-1/4"(57)	5-3/8"(137)	2-3/8"(60)
SWB-6	1"	5-7/8"(149)	3"(76)	2-1/4"(57)	5-3/8"(137)	2-3/8"(60)
SWB-7	1/2"	5-7/8"(149)	6-1/2"(165)	2-1/4"(57)	5-3/8"(137)	2-1/2"(64)
SWB-8	3/4"	5-7/8"(149)	6-1/2"(165)	2-1/4"(57)	5-3/8"(137)	2-1/2"(64)
SWB-9	1"	5-7/8"(149)	6-1/2"(165)	2-1/4"(57)	5-3/8"(137)	2-1/2"(64)
SWB-10	1/2"	5-7/8"(149)	6-1/2"(165)	2-1/4"(57)	5-3/8"(137)	2-1/2"(64)
SWB-11	3/4"	5-7/8"(149)	6-1/2"(165)	2-1/4"(57)	5-3/8"(137)	2-1/2"(64)
SWB-12	1"	5-7/8"(149)	6-1/2"(165)	2-1/4"(57)	5-3/8"(137)	2-1/2"(64)
SWB-13	①	5-1/4"(133)	3-5/8"(92)	2-1/2"(64)	6-1/8"(156)	2-3/8"(60)
SWB-14	②	5-1/4"(133)	3-5/8"(92)	3-5/16"(84)	6-1/8"(156)	2-3/8"(60)
SWB-17	①	10-3/8"(264)	3-5/8"(92)	2-1/2"(64)	11-3/8"(289)	2-1/8"(54)
SWB-18	②	5-1/4"(133)	7-1/8"(181)	3-5/16"(84)	6"(152)	5-3/4"(146)
SWB-19	②	5-1/4"(133)	10-5/8"(270)	3-5/16"(84)	6"(152)	9-3/16"(233)
SWB-20	②	5-1/4"(133)	14-1/8"(359)	3-5/16"(84)	6"(152)	12-11/16"(322)
SWB-21	②	5-1/4"(133)	17-5/8"(448)	3-5/16"(84)	6"(152)	16-3/16"(411)
SWB-32	②	12"(305)	10-5/8"(270)	3-5/16"(84)	11-1/8"(283)	9-3/16"(233)
SWB-33	②	10-3/8"(264)	14-1/8"(359)	3-5/16"(84)	11-3/16"(284)	12-3/4"(324)
SWB-34	②	12"(305)	17-3/4"(451)	3-5/16"(84)	11-5/16"(287)	16-1/4"(413)
SWB-38	②	17-1/8"(435)	17-3/4"(451)	3-5/16"(84)	11-5/16"(287)	16-1/4"(413)
SWB-42	3/4"	5-1/4"(133)	3-5/8"(92)	3-5/16"(84)	6-1/8"(156)	2-3/8"(60)
SWB-45	3/4"	5-1/4"(133)	3-5/8"(92)	3-5/16"(84)	6-1/8"(156)	2-3/8"(60)
SWB-48	1/2" ②	5-1/4"(133)	3-5/8"(92)	3-5/16"(84)	6-1/8"(156)	2-3/8"(60)
SWB-49	3/4" ②	5-1/4"(133)	3-5/8"(92)	3-5/16"(84)	6-1/8"(156)	2-3/8"(60)

- ① Maximum size drilled and tapped opening 1" – Shallow device bodies.
- ② Maximum size drilled and tapped opening 1-1/2" – Deep device bodies.
- ③ SWB-1 thru SWB-12 Boxes have cast in conduit hubs. Additional conduit openings can not be included. Use SWB-13-14 or 18 for custom conduit requirements. See following page for custom conduit information. SWB-13 through SWB-38 boxes are blank without conduit openings and can be factory or field installed. See following page for custom conduit information.

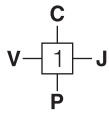


SWB-42
(3/4" Dead End)
SWB-45
(3/4" Feed Thru)
SWB-48
(Two 1/2" on Bottom)
SWB-49
(Two 3/4" on Bottom)

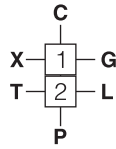


CONDUIT OPENING DATA

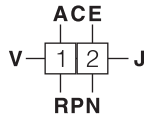
Conduit Opening Location Charts



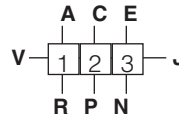
SWB-13-14



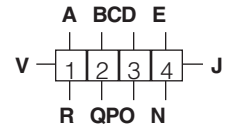
SWB-17



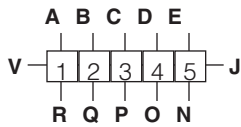
SWB-18



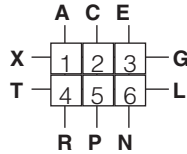
SWB-19



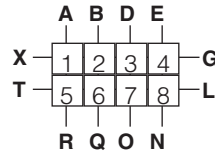
SWB-20



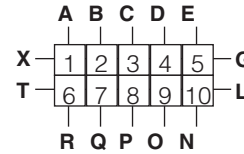
SWB-21



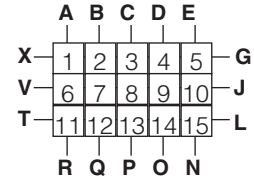
SWB-22



SWB-23



SWB-24



SWB-25

FEATURES-SPECIFICATIONS

To specify conduit openings select the letter on these sketches which indicates the position desired. All conduit openings will be evenly spaced and located in the area indicated on the location chart. When they are to be more accurately located, submit a sketch with spacing dimensions. Specific conduit openings must be located dimensionally from box centerlines to conduit centerlines and from outside back surface of box to conduit centerline.

Ordering Instructions:

- Select the letter on location chart which indicates conduit opening position desired.
- Select symbol number from chart which indicates conduit opening type and size.
- Combine the conduit location letter, size and type number, and add as a suffix to SWB box catalog number.

Example: **SWB-18-C1-J1-P1-V1**

SYMBOL NUMBERS		
CONDUIT SIZE	CONDUIT OPENINGS	
	DRILLED AND TAPPED	UNIONM
1/2"	1	11
3/4"	2	12
1"	3	13
1-1/4"	4	14
1-1/2"	5	15

MINIMUM HUB CENTERS FOR DRILLED AND TAPPED AND UNION HUBS

SIZE	FORM	1/2"	3/4"	1"	1-1/4"	1-1/2"
1/2"	①MIN	1-3/16"(46)	—	—	—	—
1/2"	②PRE	1-3/8"(35)	—	—	—	—
1/2"	③GU	1-5/8"(41)	—	—	—	—
3/4"	①MIN	1-3/8"(35)	1-1/2"(38)	—	—	—
3/4"	②PRE	1-1/2"(38)	1-5/8"(41)	—	—	—
3/4"	③GU	1-3/4"(44)	1-13/16"(46)	—	—	—
1"	①MIN	1-1/2"(38)	1-3/4"(44)	1-13/16"(46)	—	—
1"	②PRE	1-3/4"(44)	1-7/8"(48)	2"(51)	—	—
1"	③GU	1-7/8"(48)	2"(51)	2-1/8"(54)	—	—
1-1/4"	①MIN	1-11/16"(43)	1-15/16"(49)	2-1/16"(52)	2-5/16"(59)	—
1-1/4"	②PRE	1-15/16"(49)	2-1/16"(52)	2-1/4"(57)	2-1/2"(64)	—
1-1/4"	③GU	2-1/16"(52)	2-1/4"(57)	2-5/16"(59)	2-1/2"(64)	—
1-1/2"	①MIN	1-15/16"(49)	2-1/16"(52)	2-3/16"(56)	2-1/2"(64)	2-5/8"(67)
1-1/2"	②PRE	2-1/8"(54)	2-1/4"(57)	2-3/8"(60)	2-5/8"(67)	2-3/4"(70)
1-1/2"	③GU	2-3/16"(56)	2-9/32"(58)	7/16"(11)	2-5/8"(67)	2-3/4"(70)
LOCKNUT BUSHING CONDUIT		1-1/8"(29)	1-3/8"(35)	1-11/16"(43)	2-3/16"(56)	2-7/16"(62)
LOCKNUT BUSHING CONDUIT		1"(25)	1-1/4"(32)	1-1/2"(38)	1-7/8"(48)	2-1/8"(54)
LOCKNUT BUSHING CONDUIT		7/8"(22)	1-1/16"(27)	1-3/8"(35)	1-11/16"(43)	1-15/16"(49)

① Minimum spacing required to provide clearance over locknuts and bushings.

② Preferred – more liberal spacings between centers of conduits to be used whenever possible.

③ GU – spacing required for GU Series unions.

④ Union hubs are supplied by using a drilled and tapped opening with GUM Series Union.

† Consult factory for special or additional conduit sizes, locations, and combinations required but not illustrated.



COVER ASSEMBLIES • CONTROL STATIONS



Single Push Button (Box and Cover)



Double Push Button (Box and Cover)



Three Mini-Push Button (Box and Cover)



Push-Pull Mushroom Maintained Push Button (Box and Cover)

Class I, Div. 1 & 2, Groups C, D
 Class I, Zones 1 & 2, Groups IIB, IIA
 Class II, Div. 1 & 2, Groups E, F, G
 Class III
 NEMA 7 (C, D) 9 (E, F, G)

UL LISTED - File E53360

SP Certified - File LR11714

See files for details or call Killark.

FEATURES-SPECIFICATIONS

XCS MOMENTARY CONTACT SINGLE PUSH BUTTON						
COVER WITH DEVICE	CATALOG NUMBER		HUB SIZE	DIAGRAM	BUTTON COLOR ^②	NAMEPLATE MARKING ^①
	COMPLETE UNITS (BOX & COVER)					
	DEAD-END	FEED-THRU				
XCS-0B1	XCS-1B1	XCS-4B1	1/2"		GREEN	START
	XCS-2B1	XCS-5B1	3/4"			
XCS-0B2	XCS-1B2	XCS-4B2	1/2"		RED	STOP
	XCS-2B2	XCS-5B2	3/4"			
XCS-0B3	XCS-1B3	XCS-4B3	1/2"		BLACK	SPECIFY
	XCS-2B3	XCS-5B3	3/4"			

XCS MOMENTARY CONTACT DOUBLE PUSH BUTTON						
COVER WITH DEVICE	CATALOG NUMBER		HUB SIZE	DIAGRAM	BUTTON COLOR ^②	NAMEPLATE MARKING ^①
	COMPLETE UNITS (BOX & COVER)					
	DEAD-END	FEED-THRU				
XCS-0B4	XCS-1B4	XCS-4B4	1/2"		GREEN-RED	START/STOP
	XCS-2B4	XCS-5B4	3/4"			
XCS-0B4-U	XCS-1B4-U	XCS-4B4-U	1/2"		GREEN-RED	START/STOP
	XCS-2B4-U	XCS-5B4-U	3/4"			
XCS-0B5	XCS-1B5	XCS-4B5	1/2"		GREEN-GREEN	START/START
	XCS-2B5	XCS-5B5	3/4"			
XCS-0B7	XCS-1B7	XCS-4B7	1/2"		BLACK-BLACK	SPECIFY
	XCS-2B7	XCS-5B7	3/4"			

XCS MOMENTARY CONTACT THREE MINI-PUSH BUTTON						
COVER WITH DEVICE	CATALOG NUMBER		HUB SIZE	DIAGRAM	BUTTON COLOR ^②	NAMEPLATE MARKING ^①
	COMPLETE UNITS (BOX & COVER)					
	DEAD-END	FEED-THRU				
XCS-0A8	XCS-1A8	XCS-4A8	1/2"		GREEN-RED	START/STOP
	XCS-2A8	XCS-5A8	3/4"			
XCS-0A9	XCS-1A9	XCS-4A9	1/2"		BLACK	SPECIFY
	XCS-2A9	XCS-5A9	3/4"			

① For other than standard marking, see page C59 and order separately or as modified products.

② Lens colors other than listed may be specified by changing lens color suffix. See modifications, page C50.

For control stations with 1" conduit openings or for multi-gang assemblies, order cover with devices and box as separate components.

XCS MAINTAINED CONTACT PUSH PULL MUSHROOM PUSH BUTTON ^④			
CATALOG NUMBER (COVER WITH DEVICE)	DIAGRAM	BUTTON COLOR	NAMEPLATE MARKING
XCS-OMMG3		GREEN	③
XCS-OMMR3		RED	
XCS-OMMK3		BLACK	

③ Three nameplates supplied (Start/Stop, Blank, Emergency Stop) with XCS maintained push button.

④ Operation - when push button is depressed and contact activated, operator will remain in depressed position until pulled out in normal position.



COVER ASSEMBLIES • CONTROL STATIONS



Pilot Light
(Box and Cover)



Double
Pilot Light
(Box and Cover)



Pilot Light
Push Button
(Box and Cover)



Pilot Light
Two Mini Push Buttons
(Box and Cover)

Class I, Div. 1 & 2, Groups C, D
Class I, Zones 1 & 2, Groups IIB, IIA
Class II, Div. 1 & 2, Groups E, F, G
Class III
NEMA 7 (C, D) 9 (E, F, G)

UL LISTED - File E53360

SP Certified - File LR11714
See files for details or call Killark.

FEATURES-SPECIFICATIONS

XCS PILOT LIGHT ^③							
COVER WITH DEVICE	CATALOG NUMBER		HUB SIZE	DIAGRAM	LAMP VOLTS	LENS COLOR ^②	NAMEPLATE MARKING ^①
	COMPLETE UNITS (BOX & COVER)						
	DEAD-END	FEED-THRU					
XCS-0B24-CL	XCS-1B24-CL	XCS-4B24-CL	1/2"		120V	CLEAR	SPECIFY
	XCS-2B24-CL	XCS-5B24-CL	3/4"				
XCS-0B24-GL	XCS-1B24-GL	XCS-4B24-GL	1/2"		120V	GREEN	SPECIFY
	XCS-2B24-GL	XCS-5B24-GL	3/4"				
XCS-0B24-RL	XCS-1B24-RL	XCS-4B24-RL	1/2"		120V	RED	SPECIFY
	XCS-2B24-RL	XCS-5B24-RL	3/4"				

XCS DOUBLE PILOT LIGHT ^④							
COVER WITH DEVICE	CATALOG NUMBER		HUB SIZE	DIAGRAM	LAMP VOLTS	LENS COLOR ^②	NAMEPLATE MARKING ^①
	COMPLETE UNITS (BOX & COVER)						
	DEAD-END	FEED-THRU					
XCS-0B30-CL	XCS-1B30-CL	XCS-4B30-CL	1/2"		120V	CLEAR	SPECIFY
	XCS-2B30-CL	XCS-5B30-CL	3/4"				
XCS-0B30-GL	XCS-1B30-GL	XCS-4B30-GL	1/2"		120V	GREEN	SPECIFY
	XCS-2B30-GL	XCS-5B30-GL	3/4"				
XCS-0B30-RL	XCS-1B30-RL	XCS-4B30-RL	1/2"		120V	RED	SPECIFY
	XCS-2B30-RL	XCS-5B30-RL	3/4"				
XCS-0B30RL-GL	XCS-1B30RL-GL	XCS-4B30RL-GL	1/2"		120V	RED/GREEN	SPECIFY
	XCS-2B30RL-GL	XCS-5B30RL-GL	3/4"				

XCS MOMENTARY CONTACT PUSH BUTTON AND PILOT LIGHT ^④								
COVER WITH DEVICE	CATALOG NUMBER		HUB SIZE	DIAGRAM	BUTTON COLOR	LENS COLOR ^②	NAMEPLATE MARKING ^①	
	COMPLETE UNITS (BOX & COVER)						BUTTON	LENS
	DEAD-END	FEED-THRU						
XCS-0B13-C	XCS-1B13-C	XCS-4B13-C	1/2"		RED	RED	STOP	SPECIFY
	XCS-2B13-C	XCS-5B13-C	3/4"					
XCS-0B13-0	XCS-1B13-0	XCS-4B13-0	1/2"		GREEN	RED	START	SPECIFY
	XCS-2B13-0	XCS-5B13-0	3/4"					
XCS-0B13-U	XCS-1B13-U	XCS-4B13-U	1/2"		BLACK	RED	SPECIFY	SPECIFY
	XCS-2B13-U	XCS-5B13-U	3/4"					

XCS MOMENTARY CONTACT TWO MINI PUSH BUTTONS AND PILOT LIGHT ^④								
COVER WITH DEVICE	CATALOG NUMBER		HUB SIZE	DIAGRAM	BUTTON COLOR	LENS COLOR ^②	NAMEPLATE MARKING ^①	
	COMPLETE UNITS (BOX & COVER)						BUTTON	LENS
	DEAD-END	FEED-THRU						
XCS-0A15	XCS-1A15	XCS-4A15	1/2"		RED	RED	STOP	SPECIFY
	XCS-2A15	XCS-5A15	3/4"				START	
				120 VAC	GREEN			

① For other than standard marking, see page C59 and order separately or as modified products.
 ② Lens color suffix listed in modifications, page C50. Unless different lens colors are specified by proper suffix catalog number, red lens will be provided.
 ③ Pilot light transformers also listed in modifications. Add suffix to cover assembly catalog number.

④ Pilot light transformers will not fit in these assemblies. When transformer is desired, use SWB-14, indicating conduit openings required from chart on page C52 of this section. See page C50 for required transformer suffix. One transformer required for each lamp. For control stations with 1" conduit openings or for multi-gang assemblies, order cover and box as separate components.



COVER ASSEMBLIES • CONTROL STATIONS



Selector Switch



Key Operated

Class I, Div. 1 & 2, Groups C, D
 Class I, Zones 1 & 2, Groups IIB, IIA
 Class II, Div. 1 & 2, Groups E, F, G
 Class III
 NEMA 7 (C, D) 9 (E, F, G)

UL LISTED - File E53360

SP Certified - File LR11714

See files for details or call Killark.

FEATURES-SPECIFICATIONS

XCS TWO POSITION SELECTOR SWITCH (MAINTAINED)*								
CATALOG NUMBER			HUB SIZE	TWO POSITION DIAGRAM				NAMEPLATE MARKING ^①
COVER WITH DEVICE	COMPLETE UNITS (BOX & COVER)			LEFT POSITION		RIGHT POSITION		
	DEAD-END	FEED-THRU		LEFT BLOCKS	RIGHT BLOCKS	LEFT BLOCKS	RIGHT BLOCKS	
XCS-0S2A1	XCS-1S2A1	XCS-4S2A1	1/2"					OFF/ON
	XCS-2S2A1	XCS-5S2A1	3/4"					
XCS-0S2A5	XCS-42S2A5	XCS-45S2A5	3/4"					OFF/ON

XCS THREE POSITION SELECTOR SWITCH (MAINTAINED)*										
CATALOG NUMBER			HUB SIZE	THREE POSITION DIAGRAM						NAMEPLATE MARKING
COVER WITH DEVICE	COMPLETE UNITS (BOX & COVER)			LEFT POSITION		CENTER POSITION		RIGHT POSITION		
	DEAD-END	FEED-THRU		LEFT BLOCKS	RIGHT BLOCKS	LEFT BLOCKS	RIGHT BLOCKS	LEFT BLOCKS	RIGHT BLOCKS	
XCS-0S3C4	XCS-1S3C4	XCS-4S3C4	1/2"							HOA
	XCS-2S3C4	XCS-5S3C4	3/4"							
XCS-0S3C5	XCS-42S3C5	XCS-45S3C5	3/4"							HOA

^① For other than standard marking, see page C59 and order separately or as modified products.

For control stations with 1" conduit openings or for multi-gang assemblies, order cover with devices and box as separate components.

XCS TWO POSITION KEY OPERATED SELECTOR SWITCH (MAINTAINED)*								
CATALOG NUMBER			HUB SIZE	TWO POSITION DIAGRAM				NAMEPLATE MARKING ^①
COVER WITH DEVICE	COMPLETE UNITS (BOX & COVER)			LEFT POSITION		RIGHT POSITION		
	DEAD-END	FEED-THRU		LEFT BLOCKS	RIGHT BLOCKS	LEFT BLOCKS	RIGHT BLOCKS	
XCS-0K2A1	XCS-1K2A1	XCS-4K2A1	1/2"					OFF/ON
	XCS-2K2A1	XCS-5K2A1	3/4"					
XCS-0K2A5	XCS-42K2A5	XCS-45K2A5	3/4"					OFF/ON

XCS THREE POSITION KEY OPERATED SELECTOR SWITCH (MAINTAINED)*										
CATALOG NUMBER			HUB SIZE	THREE POSITION DIAGRAM						NAMEPLATE MARKING
COVER WITH DEVICE	COMPLETE UNITS (BOX & COVER)			LEFT POSITION		CENTER POSITION		RIGHT POSITION		
	DEAD-END	FEED-THRU		LEFT BLOCKS	RIGHT BLOCKS	LEFT BLOCKS	RIGHT BLOCKS	LEFT BLOCKS	RIGHT BLOCKS	
XCS-0K3C4	XCS-1K3C4	XCS-4K3C4	1/2"							HOA
	XCS-2K3C4	XCS-5K3C4	3/4"							
XCS-0K3C5	XCS-42K3C5	XCS-45K3C5	3/4"							HOA

^① For other than standard marking, see page C59 and order separately or as modified products.

* Key removal in all positions for 2 & 3 position key operated selectors. Consult factory for variations.

For control stations with 1" conduit openings or for multi-gang assemblies, order cover with devices and box as separate components.

Keyed sub-assemblies are supplied with random keys. For like keys, add "A" to end of catalog number. i.e. XCS-0K3C4A



COVER ASSEMBLIES • CONTROL STATIONS



Selector Switch

Class I, Div. 1 & 2, Groups C, D
 Class I, Zones 1 & 2, Groups IIB, IIA
 Class II, Div. 1 & 2, Groups E, F, G
 Class III
 NEMA 7 (C, D) 9 (E, F, G)

LISTED - File E53360

Certified - File LR11714
 See files for details or call Killark.

FEATURES-SPECIFICATIONS

XCS SPRING RETURN SELECTOR SWITCH – TWO POSITION SPRING RETURN TO LEFT							
CATALOG NUMBER			HUB SIZE	TWO POSITION DIAGRAM – 1N.O./1N.C.			
COVER WITH DEVICE ^①	COMPLETE UNITS (BOX & COVER)			LEFT POSITION		RIGHT POSITION	
	DEAD-END	FEED-THRU		LEFT BLOCK	RIGHT BLOCK	LEFT BLOCK	RIGHT BLOCK
XCS-0S2L3F	XCS-42S2L3F	XCS-45S2L3F	3/4"				

XCS SPRING RETURN SELECTOR SWITCH – THREE POSITION SPRING RETURN TO CENTER FROM RIGHT AND LEFT									
CATALOG NUMBER			HUB SIZE	THREE POSITION DIAGRAM – 2 N.O.					
COVER WITH DEVICE ^①	COMPLETE UNITS (BOX & COVER)			LEFT POSITION		CENTER POSITION		RIGHT POSITION	
	DEAD-END	FEED-THRU		LEFT BLOCK	RIGHT BLOCK	LEFT BLOCK	RIGHT BLOCK	LEFT BLOCK	RIGHT BLOCK
XCS-0S3M6G	XCS-42S3M6G	XCS-45S3M6G	3/4"						

XCS SPRING RETURN SELECTOR SWITCH – THREE POSITION SPRING RETURN TO CENTER FROM RIGHT, MAINTAIN IN LEFT									
CATALOG NUMBER			HUB SIZE	THREE POSITION DIAGRAM – 2 N.O.					
COVER WITH DEVICE ^①	COMPLETE UNITS (BOX & COVER)			LEFT POSITION		CENTER POSITION		RIGHT POSITION	
	DEAD-END	FEED-THRU		LEFT BLOCK	RIGHT BLOCK	LEFT BLOCK	RIGHT BLOCK	LEFT BLOCK	RIGHT BLOCK
XCS-0S3L6G	XCS-42S3L6G	XCS-45S3L6G	3/4"						

XCS SPRING RETURN SELECTOR SWITCH – THREE POSITION SPRING RETURN TO CENTER FROM LEFT, MAINTAIN IN RIGHT									
CATALOG NUMBER			HUB SIZE	THREE POSITION DIAGRAM – 2 N.O.					
COVER WITH DEVICE ^①	COMPLETE UNITS (BOX & COVER)			LEFT POSITION		CENTER POSITION		RIGHT POSITION	
	DEAD-END	FEED-THRU		LEFT BLOCK	RIGHT BLOCK	LEFT BLOCK	RIGHT BLOCK	LEFT BLOCK	RIGHT BLOCK
XCS-0S3R6G	XCS-42S3R6G	XCS-45S3R6G	3/4"						

^① All spring return assemblies must be installed on deep style box SWB-14 or SWB-18 through SWB-49.
 For control stations with 1" conduit openings or for multi-gang assemblies, order cover with devices and box as separate components.



COVER ASSEMBLIES • CONTROL STATIONS



Key Operated

Class I, Div. 1 & 2, Groups C, D
 Class I, Zones 1 & 2, Groups IIB, IIA
 Class II, Div. 1 & 2, Groups E, F, G
 Class III
 NEMA 7 (C, D) 9 (E, F, G)

UL LISTED - File E53360

SP Certified - File LR11714

See files for details or call Killark.

FEATURES-SPECIFICATIONS

XCS KEY OPERATED SPRING RETURN SELECTOR SWITCH ① – TWO POSITION SPRING RETURN TO LEFT									
CATALOG NUMBER			HUB SIZE	TWO POSITION DIAGRAM – 1 N.O./1 N.C.					
COVER WITH DEVICE ②	COMPLETE UNITS (BOX & COVER)			LEFT POSITION		RIGHT POSITION		RIGHT POSITION	
	DEAD-END	FEED-THRU		LEFT BLOCK	RIGHT BLOCK	LEFT BLOCK	RIGHT BLOCK	LEFT BLOCK	RIGHT BLOCK
XCS-0K2L3F22D	XCS-42K2L3F22D	XCS-45K2L3F22D	3/4"						

XCS KEY OPERATED SPRING RETURN SELECTOR SWITCH ① – THREE POSITION SPRING RETURN TO CENTER FROM RIGHT AND LEFT									
CATALOG NUMBER			HUB SIZE	THREE POSITION DIAGRAM – 2 N.O.					
COVER WITH DEVICE ②	COMPLETE UNITS (BOX & COVER)			LEFT POSITION		CENTER POSITION		RIGHT POSITION	
	DEAD-END	FEED-THRU		LEFT BLOCK	RIGHT BLOCK	LEFT BLOCK	RIGHT BLOCK	LEFT BLOCK	RIGHT BLOCK
XCS-0K3M6G32D	XCS-42K3M6G32D	XCS-45K3M6G32D	3/4"						

XCS KEY OPERATED SPRING RETURN SELECTOR SWITCH ① – THREE POSITION SPRING RETURN TO CENTER FROM RIGHT, MAINTAIN IN LEFT									
CATALOG NUMBER			HUB SIZE	THREE POSITION DIAGRAM – 2 N.O.					
COVER WITH DEVICE ②	COMPLETE UNITS (BOX & COVER)			LEFT POSITION		CENTER POSITION		RIGHT POSITION	
	DEAD-END	FEED-THRU		LEFT BLOCK	RIGHT BLOCK	LEFT BLOCK	RIGHT BLOCK	LEFT BLOCK	RIGHT BLOCK
XCS-0K3L6G32D	XCS-42K3L6G32D	XCS-45K3L6G32D	3/4"						

XCS KEY OPERATED SPRING RETURN SELECTOR SWITCH ① – THREE POSITION SPRING RETURN TO CENTER FROM LEFT, MAINTAIN IN RIGHT									
CATALOG NUMBER			HUB SIZE	THREE POSITION DIAGRAM – 2 N.O.					
COVER WITH DEVICE ②	COMPLETE UNITS (BOX & COVER)			LEFT POSITION		CENTER POSITION		RIGHT POSITION	
	DEAD-END	FEED-THRU		LEFT BLOCK	RIGHT BLOCK	LEFT BLOCK	RIGHT BLOCK	LEFT BLOCK	RIGHT BLOCK
XCS-0K3R6G32D	XCS-42K3R6G32D	XCS-45K3R6G32D	3/4"						

① All key operators are furnished keyed different. If keyed alike is required substitute letter "A" for "D" at end of catalog number. Keys are removable in left position for 2 position selectors and in center position for 3 position selectors. For key removable in all positions change "22" in 2 position to "20" and "32" in 3 position to "30".

② All spring return assemblies must be installed on deep style box SWB-14 or SWB-18 through SWB-49. For control stations with 1" conduit openings or for multi-gang assemblies, order cover with devices and box as separate components.



BLANK ACCESSORIES / REPLACEMENT PARTS



X-10
Blank Cover



KIT-69



KIT-78



KIT-64

X BLANK AND SPECIAL COVERS	
CAT. NO.	DESCRIPTION
X-10	Blank cover for SWB
X-60	Cover with (1) 3/4" NPSM Hole ^①
X-64	Cover with (2) 3/4" NPSM Holes ^{① ②}

^① For "G" series short operators.

^② When X-64 cover is used, one operator must be a pilot light due to electrical clearances.

XS REPLACEMENT SWITCH ONLY	
CAT. NO.	DESCRIPTION
KIT-264	Replacement switch for XS-1C
KIT-266	Replacement switch for XS-2C
KIT-263	Replacement switch for XS-6C
KIT-265	Replacement switch for XS-8C

REPLACEMENT XCS COVER INTERIORS SUPPLIED WITH MOUNTING HARDWARE

KIT-62	INTERIOR DEVICE XCS-0A8
KIT-63	INTERIOR DEVICE XCS-0A9
KIT-64	INTERIOR DEVICE XCS-0A15
KIT-66	INTERIOR DEVICE XCS-0B1
KIT-67	INTERIOR DEVICE XCS-0B2
KIT-68	INTERIOR DEVICE XCS-0B3
KIT-69	INTERIOR DEVICE XCS-0B4
KIT-70	INTERIOR DEVICE XCS-0B5
KIT-72	INTERIOR DEVICE XCS-0B7
KIT-73	INTERIOR DEVICE XCS-0B13-C
KIT-74	INTERIOR DEVICE XCS-0B13-O
KIT-75	INTERIOR DEVICE XCS-0B13-U
KIT-76	INTERIOR DEVICE XCS-0B24*
KIT-78	INTERIOR DEVICE XCS-0B30*

Kits supplied with contacts and lamp sockets mounted to strap for installation on SWB back box. All lamps are incandescent 120V.



Standard Lockout



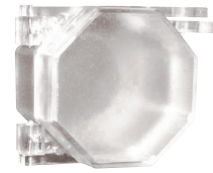
Miniature Lockout



Selector Lockout



Dust/Weather Cap



GOM Lockout

ACCESSORIES					
PUSH BUTTON ^① LOCKOUT	SELECTOR LOCKOUT ^①	DUST/WEATHER CAP			DESCRIPTION
		RED	GREEN	BLACK	
XLOB	G0567-LOK	XDBR	XDBG	XDBB	Standard operator
XLOA	—	—	—	—	Miniature operator

^① Must be factory installed

CATALOG NUMBER GOMLOCK ^②
LOCKOUT FOR MAINTAINED PUSH BUTTON COVERS
XCS-OMMR3
FXCS-OMMR3, FXCS - *MMR3-M

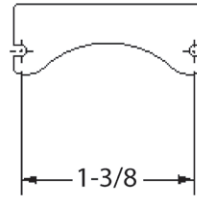
^② May be installed in field.

XCS REPLACEMENT COVER SCREWS	
CATALOG NUMBER	DESCRIPTION
00891896	4 Cover Screws
00891898	4 Cover Screws and 2 Strap Screws



ACCESSORIES / REPLACEMENT PARTS

CUSTOM LEGEND PLATES (MOUNTING SCREWS INCLUDED)		
CATALOG NUMBER & DESCRIPTION		
PB & PL LEGEND PLATES	2 POS. SEL. SWT. LEGEND PLATES	3 POS. SEL. SWT. LEGEND PLATES
XCSNP-ON	XCSNP-ON-OFF	XCSNP-HAND-OFF-AUT
XCSNP-OFF	XCSNP-OFF-ON	XCSNP-AUT-OFF-HAND
XCSNP-START	XCSNP-OFF-REMOTE	XCSNP-HAND-OFF-REM
XCSNP-STOP	XCSNP-START-STOP	XCSNP-STP-RUN-STRT
XCSNP-ESTOP	XCSNP-UP-DOWN	XCSNP-FWD-OFF-REV
XCSNP-UP	XCSNP-RAISE-LOWER	XCSNP-REV-OFF-FWD
XCSNP-DOWN	XCSNP-HIGH-LOW	XCSNP-RUN-OFF-JOG
XCSNP-FAST	XCSNP-SLOW-FAST	XCSNP-JOG-OFF-RUN
XCSNP-SLOW	XCSNP-START-JOG	XCSNP-SLOW-OFF-FST
XCSNP-IN	XCSNP-RUN-JOG	XCSNP-LOW-OFF-HIGH
XCSNP-OUT	XCSNP-JOG-RUN	XCSNP-RAS-OFF-LOWR
XCSNP-RAISE	XCSNP-FWD-REV	XCSNP-LOCL-OFF-REM
XCSNP-LOWER	XCSNP-HAND-AUTO	XCSNP-1-OFF-2
XCSNP-HIGH	XCSNP-AUTO-HAND	XCSNP-UP-OFF-DOWN
XCSNP-LOW	XCSNP-MANUAL-AUTO	XCSNP-BLANK-3P*
XCSNP-OPEN	XCSNP-SLOW-FAST	
XCSNP-CLOSE	XCSNP-OPEN-CLOSE	
XCSNP-FORWARD	XCSNP-BLANK-2P*	
XCSNP-REVERSE		
XCSNP-READY		
XCSNP-RUN		
XCSNP-RESET		
XCSNP-JOG		
XCSNP-INCH		
XCSNP-TEST		
XCSNP-POWER-ON		
XCSNP-JOG-FORWARD		
XCSNP-JOG-REVERSE		
XCSNP-MOTOR-RUN		
XCSNP-MOTOR-STOP		
XCSNP-PUSH-TO-TEST		
XCSNP-BLANK*		



Drilling Instructions
(if holes not existing)
Drill #44(.086 Dia)
x 3/16 deep. Do not break
through cover.
Install with thread cutting
screws supplied.

* For special markings order blank legend plate and specify marking.

XCS-FXCS LAMPS			
CAT. NO.	LAMP TYPE	VOLTS AC/DC	COLOR
YOSY24MB	FILAMENT	24	CLEAR
YOSY120MB	FILAMENT	120	CLEAR

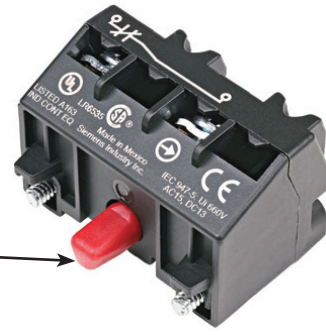


Incandescent Filament Lamp

PILOT LIGHT LED LAMPS		
CATALOG NUMBER	VOLTS	COLOR
GOLED-A110	110 VAC/DC	AMBER
GOLED-B110	110 VAC/DC	BLUE
GOLED-G110	110 VAC/DC	GREEN
GOLED-R110	110 VAC/DC	RED
GOLED-W110	110 VAC/DC	WHITE
GOLED-A24	24 VAC/DC	AMBER
GOLED-B24	24 VAC/DC	BLUE
GOLED-G24	24 VAC/DC	GREEN
GOLED-R24	24 VAC/DC	RED
GOLED-W24	24 VAC/DC	WHITE
GOLED-A240	220/240 VAC	AMBER
GOLED-B240	220/240 VAC	BLUE
GOLED-G240	220/240 VAC	GREEN
GOLED-R240	220/240 VAC	RED
GOLED-W240	220/240 VAC	WHITE



LED Lamps



Color Code →

Finger Safe Contact Block with Gold Flashing as Standard

GO STANDARD CONTACT BLOCKS*		
CATALOG NUMBER	DESCRIPTION	COLOR CODE
GO-8673-BJK	1 N.O.	WHITE
GO-8673-BJJ	1 N.C.	RED
GO-8673-BJH	1 N.O. EARLY MAKE	GREEN
GO-8673-BJE	1 N.C. LATE BREAK	YELLOW
GO-8673-BJKJ	1 N.O./1 N.C.	BLACK

* 600VAC Max., 10 Amps, A600/P600
Dimensions: 1.63"L x 1.06"W x 1"Deep

New series finger safe contact blocks can be stacked on to older series "E" type blocks. However "E" type contact blocks cannot be stacked on to finger safe blocks.



TUMBLER SWITCH



XS-3C



Complete Unit When Assembled

Class I, Div. 1 & 2, Groups C, D
 Class I, Zones 1 & 2, Groups IIB, IIA
 Class II, Div. 1 & 2, Groups E, F, G
 Class III
 NEMA 7 (C, D) 9 (E, F, G)

LISTED - FILE E53360

Certified - File LR11712

File OP7A5.AE
 See files for details or call Killark.

FEATURES-SPECIFICATIONS

Applications

Used where making, breaking, or changing connections in an electric circuit are required.

Features

XS and XST Series are front lever rotary operated switch assemblies with standard provisions for padlocking in either "ON" or "OFF" position. The lever is connected to a threaded stainless steel shaft which passes through the cover.

XS TUMBLER SWITCH						
CATALOG NUMBER					SWITCH STYLE	SWITCH RATING 120/277 VAC, 1Ø
COVER		HUB SIZE	COMPLETE UNITS (BOX, COVER AND SWITCH)			
WITH DEVICE	WITHOUT DEVICE		DEAD-END	FEED-THRU		
XS-1C	XNS-1C	1/2"	XS-11C	XS-41C	1-POLE	20A [ⓐ]
		3/4"	XS-21C	XS-51C		
XS-2C	XNS-2C	1/2"	XS-12C	XS-42C	2-POLE	20A [ⓐ]
		3/4"	XS-22C	XS-52C		
XS-8C	XNS-8C	1/2"	XS-18C	XS-48C	3-POLE	①
		3/4"	XS-28C	XS-58C		
XS-3C	XNS-3C	1/2"	XS-13C	XS-43C	3-WAY/SPDT No center off	20A [ⓐ]
		3/4"	XS-23C	XS-53C		
XS-5C	XNS-5C	1/2"	XS-15C	XS-45C	SPDT Center off	20A [ⓐ]
		3/4"	XS-25C	XS-55C		
XS-6C	XNS-6C	1/2"	XS-16C	XS-46C	DPDT No center off	20A [ⓐ]
		3/4"	XS-26C	XS-56C		
XS-7C	XNS-7C	1/2"	XS-17C	XS-47C	DPDT Center off	20A [ⓐ]
		3/4"	XS-27C	XS-57C		
XS-1D	XNS-1D	1/2"	XS-11D	XS-41D	1-POLE	30A [ⓐ]
		3/4"	XS-21D	XS-51D		
XS-2D	XNS-2D	1/2"	XS-12D	XS-42D	2-POLE	30A [ⓐ]
		3/4"	XS-22D	XS-52D		
XS-4C	—	—	—	—	4-WAY	20A [ⓐ]

① Rated 15 amperes, 240/480 VAC., 3Ø: 3HP-240 VAC., 5 HP-480 VAC.

ⓐ Horsepower rated 1 HP at 120VAC, 2 HP at 240VAC.

Certified - File LR11712

XS TUMBLER SWITCH				
HUB SIZE	CATALOG NUMBER		SWITCH STYLE	SWITCH RATING 347 VAC, 1Ø
	COMPLETE UNITS (BOX, COVER AND SWITCH)			
	DEAD-END	FEED-THRU		
3/4"	XST15-21C	XST15-51C	1-POLE	15A
1"	XST15-31C	XST15-61C		
3/4"	XST20-21C	XST20-51C	1-POLE	20A
1"	XST20-31C	XST20-61C		
3/4"	XST15-23C	XST15-53C	3-WAY/SPDT NO CENTER OFF	15A
1"	XST15-33C	XST15-63C		
3/4"	XST20-23C	XST20-53C	3-WAY/SPDT NO COVER OFF	20A
1"	XST20-33C	XST20-63C		



FIRE ALARM STATIONS



XAL
Pull Ring



XAS
Break Glass

Class I, Div. 1 & 2, Groups C, D
Class I, Zones 1 & 2, Groups IIB, IIA
Class II, Div. 1 & 2, Groups E, F, G
Class III
NEMA 7 (C, D) 9 (E, F, G)

FEATURES-SPECIFICATIONS

Applications

- Hazardous areas due to the presence of flammable gases or vapors, combustible dusts or easily ignitable fibers or flyings
- Installation at petroleum refineries, chemical and petrochemical plants, storage areas, and other processing facilities where hazardous substances are handled or stored
- Areas where emergency control of fire alarm or signal circuits is required

Features

- Enclosure is made of copper free aluminum alloy
- Conduit openings are 3/4" NPT feed through
- Red, textured powder epoxy paint finish is standard on box and cover and provides high visibility for alarm station
- XAL-458 has (2) normally open and (2) normally closed contacts.
- Bilingual nameplates included per CSA requirement
- Internal ground screw is standard

REPLACEMENT PARTS	
CATALOG NUMBER	DESCRIPTION
YOKK15214	XAS REPL. GLASS
KIT-232	XAS REP. HAMMER & CHAIN

Operation

XAL: The alarm station is activated by lifting the front cover and pulling down ring. This quick, easy to use two-step process prevents unintentional operation.

XAS: Breaking glass with hammer provided activates alarm. Reset by replacing glass.

XAL Series:

- UL LISTED - File E50498
- ULC Listed - CE69
- SPR Certified - File LR31085
- Listed - California State Fire Marshall #7150-1439:100

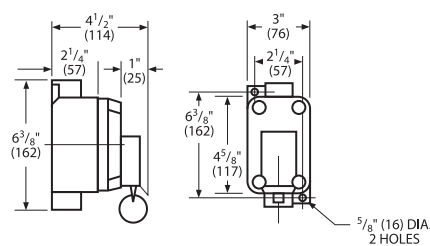
XAS Series:

- UL LISTED - File E50498
- SPR Certified - File LR31085
- See files for details or call Killark.

XAL FIRE ALARM STATION		
CATALOG NUMBER	OPERATION TYPE	CONTACT BLOCKS
XAL-53	PULL RING	(1) NO/NC
XAL-458	PULL RING	(2) NO/NC
XAS-53	BREAK GLASS	(1) NO/NC

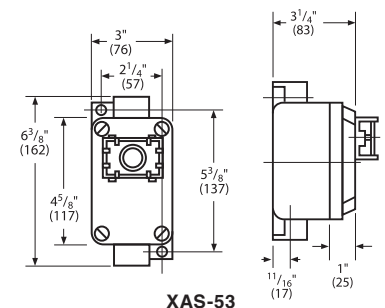
CONTACT BLOCK RATING								
AC						DC		
VOLTS	MAKE AMPERES	VA	BREAK AMPERES	VA	CONTINUOUS CARRYING AMPERES	VOLTS	MAKE BREAK	CONTINUOUS CARRYING AMPERES
120	60	7200	6	720	10	125	1.1	5.0
240	30	7200	3	720	10	250	0.55	5.0
480	15	7200	1.5	720	10	600	0.2	5.0
600	12	7200	1.2	720	10	—	—	—

Dimensions



XAL-53

Note: On XAL-458 the overall depth is 5-9/16"



XAS-53



CUSTOM CONTROL PANEL OPERATORS INTRODUCTION



Class I, Div. 1 & 2, Groups B, C, D
 Class I, Zones 1 & 2, Groups IIB, IIA
 Class II, Div. 1 & 2, Groups E, F, G
 Class III
 NEMA 3, 4, 4X, 7 (B, C, D) 9 (E, F, G)

See Area Classification Chart below

FEATURES-SPECIFICATIONS

Applications

G Series custom control panel operators are designed for use in hazardous locations when installed in suitable enclosures such as B7E EXB, SWB and GCS Series boxes and B7, Y7 Starter Enclosures.

Features

- Operators are all aluminum except for certain movable parts which are stainless steel, all other parts such as screws are either stainless steel or plated steel
- Threaded bodies are all 3/4"-14 NPSM thread
- Control stations can be grouped into a single assembly thus reducing installation time and cost
- Junction boxes may be used to mount operators along with glass lens for viewing internally mounted meters. Additional relays, timers, terminal blocks, or other equipment may also be internally mounted to provide a single centralized control unit.
- Custom operators other than standard assemblies listed may be ordered by proper catalog number from custom operator ordering system pages C72 & C73

Electrical Rating

Push button stations, selector switches
 Heavy duty 600 VAC max.

Pilot lights 250 VAC max.

Dimensions

See Dimensional information for G Series operators on page C74.

Recommended Operator Selection

Short Style

SWB/GCS Enclosures. Assemblies with wall thickness up to 1/2" thick.

Long Style

All B7E Enclosures. EXB (see page E36) enclosures with cover thickness up to 1-1/2" thick.

Extended Style

EXB larger size enclosures (see page E36) with cover thickness up to 2-1/2" thick.

Killark long and extended push buttons, selector switches, reset and potentiometer operators are CENELEC/ATEX EExd IIB+H2 when installed in series EXB*CEN and GR*CEN enclosures.

For pilot lights and illuminated push buttons in CENELEC/ATEX applications see page C65.

CONTACT BLOCK RATINGS – A600/P600						
CURRENT	120 VAC	240 VAC	480 VAC	600 VAC	125 VDC	250 VDC
INRUSH	60	30	15	12	.55	.27
BREAKING	6	3	1.5	1.2	.55	.27
CARRYING	10	10	10	10	2.55	2.55

Note: Contact blocks can be stacked four deep maximum.

AREA CLASSIFICATION CHART FOR OPERATORS					
G01 ^④	G017 ^②	G030 ^②	G057 ^②	G0L2 ^④	G0L38 ^③
G02 ^④	G018 ^②	G034 ^②	G058 ^②	G0L3 ^④	G0L39 ^③
G05 ^④	G019 ^②	G035 ^② G036 ^③	G059 ^②	G0L4 ^④	G0L113 ^③
G06 ^④	G021 ^②	G037 ^③	G0113 ^③	G0L5 ^④	G0L114 ^③
G07 ^④	G022 ^②	G038 ^③	G0114 ^③	G0L6 ^④	G0LRST ^④
G08 ^③	G023 ^②	G039 ^③	G0133 ^②	G0L7 ^④ G0L8 ^③	G0M1 ^⑤
G010 ^④	G025 ^②	G040 ^①	G0134 ^②	G0L14 ^④	G0R11 ^④
G014 ^④	G026 ^②	G050 ^②	G0B3 ^④	G0L15 ^④	G0RST ^②
G015 ^④	G027 ^②	G051 ^②	G0B4 ^④	G0L36 ^③	G011388 ^②
G016 ^②	G028 ^②	G056 ^②	G0L1 ^④	G0L37 ^④	G011372 ^②

① Class II Div. 1 & 2 Group EFG NEMA 9EFG

② Class I Div. 1 & 2 Group CD, Class II Div. 1 & 2 Group EFG, Class III NEMA 7CD, 9EFG

③ Class I Div. 1 & 2 Group BCD, Class II Div. 1 & 2 Group EFG, Class III NEMA 3, 4, 7BCD, 9EFG

④ Class I Div. 1 & 2 Group BCD, Class II Div. 1 & 2 Group EFG, Class III NEMA 3, 4, 4X, 7BCD, 9EFG

⑤ Class I Div. 1 & 2 Group CD, Class II Div. 1 & 2 Group EFG, Class III NEMA 3, 4, 7CD, 9EFG



PUSH BUTTONS



Push Button Green



Push Button Red



Mushroom Push Button



Double Push Button

Class I, Div. 1 & 2, Groups B, C, D^①
 Class I, Zones 1 & 2, Groups IIB, IIA
 Class II, Div. 1 & 2, Groups E, F, G
 Class III
 NEMA 3, 4, 4X, 7 (B, C, D) 9 (E, F, G)

See Area Classification Chart
 page C62 for Details

- File E12379

Certified - File LR11714
 See files for details or call Killark.

FEATURES-SPECIFICATIONS

G SINGLE PUSH BUTTON (MOMENTARY CONTACT)					
CATALOG NUMBER ^①			COLOR	CONTACT TYPE ^③	NAMEPLATE MARKING ^②
SHORT ^④	LONG	EXTENDED			
G021-GZ1B	G01-GX1B N34	GOL1G1	GREEN		START OR STOP
G021-KZ1C	G01-KX1C N34	GOL1K1	BLACK		RESET OR BLANK
G021-RZ2B	G01-RX2B N34	GOL1R2	RED		START OR STOP
G021-KZ2C	G01-KX2C N34	GOL1K2	BLACK		RESET OR BLANK
G021-GZ3C	G01-GX3C N34	GOL1G3	GREEN		RESET OR BLANK
G021-RZ3C	G01-RX3C N34	GOL1R3	RED		RESET OR BLANK
G021-KZ3C	G01-KX3C N34	GOL1K3	BLACK		RESET OR BLANK
G021-GZ0C	G01-GX0C N34	GOL1G	GREEN	NONE	RESET OR BLANK
G021-RZ0C	G01-RX0C N34	GOL1R	RED		RESET OR BLANK
G021-KZ0C	G01-KX0C N34	GOL1K	BLACK		RESET OR BLANK

G SINGLE PUSH BUTTON (MAINTAINED CONTACT) MUSHROOM HEAD PUSH – PULL OPERATION					
GOM21-GM3C	GOM1-GM3C N34	GOML1G3	GREEN		BLANK
GOM21-RM3C	GOM1-RM3C N34	GOML1R3	RED		BLANK
GOM21-KM3C	GOM1-KM3C N34	GOML1K3	BLACK		BLANK
GOM21-GM0C	GOM1-GM0C N34	GOML1G	GREEN	NONE	BLANK
GOM21-RM0C	GOM1-RM0C N34	GOML1R	RED		BLANK
GOM21-KM0C	GOM1-KM0C N34	GOML1K	BLACK		BLANK

G DOUBLE PUSH BUTTON (MOMENTARY CONTACT)					
G022-GR12D	G02-GR12D N34	GOL2GR12	GREEN/RED		START/STOP OR BLANK
G022-KK12D	G02-KK12D N34	GOL2KK12	BLACK/BLACK		START/STOP OR BLANK
G022-GR33D	G02-GR33D N34	GOL2GR33	GREEN/RED		START/STOP OR BLANK
G022-KK33D	G02-KK33D N34	GOL2KK33	BLACK/BLACK		START/STOP OR BLANK
G022-GR00D	G02-GR00D N34	GOL2GR	GREEN/RED	NONE	START/STOP OR BLANK
G022-KK00D	G02-KK00D N34	GOL2KK	BLACK/BLACK		START/STOP OR BLANK

G DOUBLE PUSH BUTTON (MAINTAINED CONTACT) ^⑤					
—	GOR11-GR6D N34	—	GREEN/RED		START/STOP OR BLANK
—	GOR11-GR7D N34	—	GREEN/RED		START/STOP OR BLANK
—	GOR11-GR8D N34	—	GREEN/RED		START/STOP OR BLANK
—	GOR11-GR0D N34	—	GREEN/RED	NONE	START/STOP OR BLANK

① Refer to catalog page C62 to select proper operator for enclosure, pages C70 & C71 for accessories, page C62 for complete details on Area Classification of operators, page C74 for Dimensional information.

② Nameplates are double sided.

③ Contact Blocks are shown in their normal position.

④ Short style operators are suitable for Class I Group C & D, Class II Group E,F,G only.

⑤ When pressed, the green button will remain in a depressed position. Pressing red button releases green from the depressed position.



PILOT LIGHTS



Pilot Light



Illuminated Button

Class I, Div. 1 & 2, Groups B, C, D^④
 Class I, Zones 1 & 2, Groups IIB, IIA
 Class II, Div. 1 & 2, Groups E, F, G
 Class III
 NEMA 3, 4, 4X, 7 (B, C, D) 9 (E, F, G)

See Area Classification Chart
 page C62 for Details

LISTED - File E12379

Certified - File LR11714
 See files for details or call Killark.

FEATURES-SPECIFICATIONS

G PILOT LIGHTS					
CATALOG NUMBER ^①			COLOR	CONTACT TYPE ^③	NAMEPLATE MARKING ^②
SHORT ^④	LONG	EXTENDED			
G023-A23C	GOB3-A23C N34	GOL3A	AMBER	 110-120 VOLTS FULL VOLTS	BLANK
G023-B23C	GOB3-B23C N34	GOL3B	BLUE		BLANK
G023-C23C	GOB3-C23C N34	GOL3C	CLEAR		BLANK
G023-F23C	GOB3-F23C N34	GOL3F	FROSTED		BLANK
G023-G23C	GOB3-G23C N34	GOL3G	GREEN		BLANK
G023-R23C	GOB3-R23C N34	GOL3R	RED		BLANK

G PILOT LIGHTS WITH LED 110 VOLT LAMPS					
—	GOB3-A23C N34 LED	GOL3A LED	AMBER	 110-120 VOLTS FULL VOLTS (LED)	BLANK
—	GOB3-G23C N34 LED	GOL3G LED	GREEN		BLANK
—	GOB3-R23C N34 LED	GOL3R LED	RED		BLANK

G ILLUMINATED BUTTON OR PUSH TO TEST PILOT LIGHT					
—	GOB4-A233C N34	GOL4A3	AMBER	 110-120 VOLTS FULL VOLTS	BLANK
—	GOB4-B233C N34	GOL4B3	BLUE		BLANK
—	GOB4-C233C N34	GOL4C3	CLEAR		BLANK
—	GOB4-F233C N34	GOL4F3	FROSTED	 110-120 VOLTS FULL VOLTS (LED)	BLANK
—	GOB4-G233C N34	GOL4G3	GREEN		BLANK
—	GOB4-R233C N34	GOL4R3	RED	 110-120 VOLTS NO CONTACT BLOCKS	BLANK
—	GOB4-A230C N34	GOL4A	AMBER		BLANK
—	GOB4-B230C N34	GOL4B	BLUE		BLANK
—	GOB4-C230C N34	GOL4C	CLEAR		BLANK
—	GOB4-F230C N34	GOL4F	FROSTED		BLANK
—	GOB4-G230C N34	GOL4G	GREEN		BLANK
—	GOB4-R230C N34	GOL4R	RED		BLANK

G ILLUMINATED BUTTON OR PUSH TO TEST PILOT LIGHT WITH LED 110 VOLT LAMPS					
—	GOB4-A233C N34 LED	GOL4A3 LED	AMBER	 110-120 VOLTS FULL VOLTS (LED)	BLANK
—	GOB4-G233C N34 LED	GOL4G3 LED	GREEN		BLANK
—	GOB4-R233C N34 LED	GOL4R3 LED	RED		BLANK
—	GOB4-A230C N34 LED	GOL4A LED	AMBER	 110-120 VOLTS (LED) NO CONTACT BLOCKS	BLANK
—	GOB4-G230C N34 LED	GOL4G LED	GREEN		BLANK
—	GOB4-R230C N34 LED	GOL4R LED	RED		BLANK

^① Refer to catalog page C62 to select proper operator for enclosure, pages C70 & C71 for accessories, page C62 for complete details on Area Classification of operators, page C74 for Dimensional information.

^② Nameplates are double sided.

^③ Contact Blocks are shown in their normal position.

^④ Short style operators are suitable for Class I Group C & D, Class II Group E, F, G and cULus only.



PILOT LIGHTS FOR ATEX / CENELEC APPLICATIONS



Pilot Light ATEX



Illuminated Push Button ATEX

Class I, Div. 1 & 2, Groups B, C, D
 Class I, Zones 1 & 2, Groups IIB+H₂, IIA
 Class II, Div. 1 & 2, Groups E, F, G
 Class III
 NEMA 3, 4, 4X, 7 (B, C, D) 9 (E, F, G)
 ATEX-EEExd IIB + H2

UL LISTED - File E12379

SP Certified - File LR11714

Ex PTB No. 03ATEX 1203 U

FEATURES-SPECIFICATIONS

G PILOT LIGHTS				
CATALOG NUMBER ^①		COLOR	CONTACT TYPE ^③	NAME PLATE MARKING ^②
LONG	EXTENDED			
GOB3-A23C N34CN	GOL3ACN	AMBER	110-120 VOLTS FULL VOLTS	BLANK
GOB3-B23C N34CN	GOL3BCN	BLUE		BLANK
GOB3-C23C N34CN	GOL3CCN	CLEAR		BLANK
GOB3-F23C N34CN	GOL3FCN	FROSTED		BLANK
GOB3-G23C N34CN	GOL3GCN	GREEN		BLANK
GOB3-R23C N34CN	GOL3RCN	RED		BLANK
G PILOT LIGHTS WITH LED 110 VOLT LAMPS				
GOB3-A23C N34LEDCN	GOL3ALEDCN	AMBER	110-120 VOLTS FULL VOLTS (LED)	BLANK
GOB3-G23C N34LEDCN	GOL3GLEDCN	GREEN		BLANK
GOB3-R23C N34LEDCN	GOL3RLEDCN	RED		BLANK
G ILLUMINATED PUSH BUTTON OR PUSH TO TEST PILOT LIGHT				
GOB4-A233CN34CN	GOL4A3CN	AMBER	110-120 VOLTS FULL VOLTS	BLANK
GOB4-B233CN34CN	GOL4B3CN	BLUE		BLANK
GOB4-C233CN34CN	GOL4C3CN	CLEAR		BLANK
GOB4-F233CN34CN	GOL4F3CN	FROSTED		BLANK
GOB4-G233CN34CN	GOL4G3CN	GREEN		BLANK
GOB4-R233CN34CN	GOL4R3CN	RED		BLANK
GOB4-A230CN34CN	GOL4A0CN	AMBER	110-120 VOLTS NO CONTACT BLOCKS	BLANK
GOB4-B230CN34CN	GOL4B0CN	BLUE		BLANK
GOB4-C230CN34CN	GOL4C0CN	CLEAR		BLANK
GOB4-F230CN34CN	GOL4F0CN	FROSTED		BLANK
GOB4-G230CN34CN	GOL4G0CN	GREEN		BLANK
GOB4-R230CN34CN	GOL4R0CN	RED		BLANK
G ILLUMINATED PUSH BUTTON OR PUSH TO TEST PILOT LIGHT WITH LED 110 VOLT LAMPS				
GOB4-A233CN34LEDCN	GOL4A3LEDCN	AMBER	110-120 VOLTS FULL VOLTS (LED)	BLANK
GOB4-G233CN34LEDCN	GOL4G3LEDCN	GREEN		BLANK
GOB4-R233CN34LEDCN	GOL4R3LEDCN	RED		BLANK
GOB4-A230CN34LEDCN	GOL4A0LEDCN	AMBER	110-120 VOLTS (LED) NO CONTACT BLOCKS	BLANK
GOB4-G230CN34LEDCN	GOL4G0LEDCN	GREEN		BLANK
GOB4-R230CN34LEDCN	GOL4R0LEDCN	RED		BLANK

① Refer to catalog page C62 to select proper operator for enclosure, pages C70 & C71 for accessories, page C62 for complete details on Area Classification of operators, page C74 for Dimensional information.

② Nameplates are double sided.

③ Contact Blocks are shown in their normal position.

NOTE: British standards BSEN50014 and EN50018 have special marking and relamping demands that require modifications to the standard Killark Pilot Lights. Pilots lights and illuminated push buttons on this page must be used for enclosures that are modified to meet ATEX/CENELEC.



SELECTOR SWITCHES



Selector Switch

Class I, Div. 1 & 2, Groups B, C, D^④
 Class I, Zones 1 & 2, Groups IIB, IIA
 Class II, Div. 1 & 2, Groups E, F, G
 Class III
 NEMA 3, 4, 4X, 7 (B, C, D) 9 (E, F, G)

See Area Classification Chart
 page C62 for Details

LISTED - File E12379

Certified - File LR11714
 See files for details or call Killark.

FEATURES-SPECIFICATIONS

G SELECTOR SWITCH MAINTAINED CONTACT												
CATALOG NUMBER ^①			CONTACT ARRANGEMENT ^③	TYPE OF OPERATION ^②								
SHORT ^④	LONG	EXTENDED										
G025-2A3F	G05-2A3F N34	G0L52A3	<table border="0"> <tr> <td>LEFT</td> <td>RIGHT</td> </tr> <tr> <td></td> <td></td> </tr> </table>	LEFT	RIGHT			TWO POSITION				
LEFT	RIGHT											
G025-3C3G	G05-3C3G N34	G0L53C3	<table border="0"> <tr> <td>LEFT</td> <td>CENTER</td> <td>RIGHT</td> </tr> <tr> <td></td> <td></td> <td></td> </tr> </table>	LEFT	CENTER	RIGHT				THREE POSITION		
LEFT	CENTER	RIGHT										
G025-4H8H	G05-4H8H N34	G0L54H8	<table border="0"> <tr> <td>1</td> <td>2</td> <td>3</td> <td>4</td> </tr> <tr> <td></td> <td></td> <td></td> <td></td> </tr> </table>	1	2	3	4					FOUR POSITION
1	2	3	4									

G SELECTOR SWITCH MAINTAINED CONTACT WITHOUT CONTACTS				
G025-2A0F	G05-2A0F N34	G0L52A	NONE	TWO POSITION
G025-3C0G	G05-3C0G N34	G0L53C	NONE	THREE POSITION
G025-4H0H	G05-4H0H N34	G0L54H	NONE	FOUR POSITION

G SELECTOR SWITCH SPRING RETURN										
G026-3F	G06-3F N34	G0L63	<table border="0"> <tr> <td>LEFT</td> <td>RIGHT</td> </tr> <tr> <td></td> <td></td> </tr> </table>	LEFT	RIGHT			TWO POSITION SPRING RETURN TO LEFT 1 N.O./1 N.C		
LEFT	RIGHT									
G027-6G	G07-6G N34	G0L76	<table border="0"> <tr> <td>LEFT</td> <td>CENTER</td> <td>RIGHT</td> </tr> <tr> <td></td> <td></td> <td></td> </tr> </table>	LEFT	CENTER	RIGHT				THREE POSITION SPRING RETURN TO CENTER FROM RIGHT OR LEFT 2 N.O.
LEFT	CENTER	RIGHT								
G034-6G	G014-6G N34	G0L146	<table border="0"> <tr> <td>LEFT</td> <td>CENTER</td> <td>RIGHT</td> </tr> <tr> <td></td> <td></td> <td></td> </tr> </table>	LEFT	CENTER	RIGHT				THREE POSITION SPRING RETURN TO CENTER FROM RIGHT, MAINTAIN IN LEFT 2 N.O.
LEFT	CENTER	RIGHT								
G035-6G	G015-6G N34	G0L156	<table border="0"> <tr> <td>LEFT</td> <td>CENTER</td> <td>RIGHT</td> </tr> <tr> <td></td> <td></td> <td></td> </tr> </table>	LEFT	CENTER	RIGHT				THREE POSITION SPRING RETURN TO CENTER FROM LEFT, MAINTAIN IN RIGHT 2 N.O.
LEFT	CENTER	RIGHT								

G SELECTOR SWITCH SPRING RETURN WITHOUT CONTACTS				
G026-0F	G06-0F N34	G0L6	NONE	TWO POSITION SPRING RETURN TO LEFT
G027-0G	G07-0G N34	G0L7	NONE	THREE POSITION SPRING RETURN TO CENTER FROM RIGHT OR LEFT
G034-0G	G014-0G N34	G0L14	NONE	THREE POSITION SPRING RETURN TO CENTER FROM RIGHT, MAINTAIN IN LEFT
G035-0G	G015-0G N34	G0L15	NONE	THREE POSITION SPRING RETURN TO CENTER FROM LEFT, MAINTAIN IN RIGHT

^① Refer to catalog page C62 to select proper operator for enclosure, C70 & C71 for Accessories, C62 for complete details on Area Classification of operators, C74 for Dimensional Information, C72 for Special Contact Configurations.

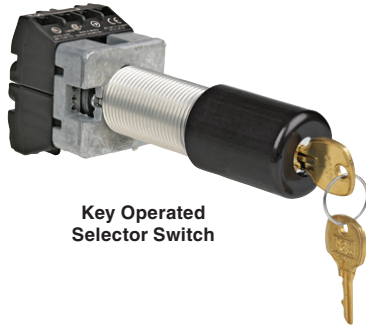
^② Nameplates are Double sided. 2 position marked OFF-ON and Blank on other side. 3 position marked HAND-OFF-AUTO and Blank on other side. 4 position is Blank.

^③ Contact Blocks are shown in their normal position.

^④ Short style operators are suitable for Class I Group C & D, Class II Group E,F,G only.



KEYED SELECTOR SWITCHES



Key Operated Selector Switch

Class I, Div. 1 & 2, Groups B, C, D®
 Class I, Zones 1 & 2, Groups IIB, IIA
 Class II, Div. 1 & 2, Groups E, F, G
 Class III
 NEMA 3, 4, 4X, 7 (B, C, D) 9 (E, F, G)

See Area Classification Chart
 page C62 for Details

UL LISTED - File E12379

SP® Certified - File LR11714
 See files for details or call Killark.

FEATURES-SPECIFICATIONS

G KEY SELECTOR SWITCH MAINTAINED CONTACT ^④				
CATALOG NUMBER ^①			CONTACT ARRANGEMENT ^③	TYPE OF OPERATION ^{②⑤}
SHORT ^⑥	LONG	EXTENDED		
G028-2A3F22D	G08-2A3F22D N34	G0L82A322D	LEFT: RIGHT:	TWO POSITION
G028-3C3G32D	G08-3C3G32D N34	G0L83C332D	LEFT: CENTER: RIGHT:	THREE POSITION

G KEY SELECTOR SWITCH MAINTAINED CONTACT WITHOUT CONTACTS ^④				
G028-2A0F22D	G08-2A0F22D N34	G0L82A022D	NONE	TWO POSITION
G028-3C0G32D	G08-3C0G32D N34	G0L83C032D	NONE	THREE POSITION

G KEY SELECTOR SWITCH SPRING RETURN ^④				
G056-2L3F22D	G036-2L3F22D N34	G0L36L322D	LEFT: RIGHT:	TWO POSITION SPRING RETURN TO LEFT 1 N.O./1 N.C.
G057-3C6G32D	G037-3C6G32D N34	G0L37C632D	LEFT: CENTER: RIGHT:	THREE POSITION SPRING RETURN TO CENTER FROM RIGHT OR LEFT 2 N.O.
G058-3L6G32D	G038-3L6G32D N34	G0L38L632D	LEFT: CENTER: RIGHT:	THREE POSITION SPRING RETURN TO CENTER FROM RIGHT, MAINTAIN IN LEFT 2 N.O.
G059-3R6G32D	G039-3R6G32D N34	G0L39R632D	LEFT: CENTER: RIGHT:	THREE POSITION SPRING RETURN TO CENTER FROM LEFT, MAINTAIN IN RIGHT 2 N.O.

G KEY SELECTOR SWITCH SPRING RETURN WITHOUT CONTACTS ^④				
G056-2L0F22D	G036-2L0F22D N34	G0L36L022D	NONE	TWO POSITION SPRING RETURN TO LEFT
G057-3C0G32D	G037-3C0G32D N34	G0L37C032D	NONE	THREE POSITION SPRING RETURN TO CENTER FROM RIGHT OR LEFT
G058-3L0G32D	G038-3L0G32D N34	G0L38L032D	NONE	THREE POSITION SPRING RETURN TO CENTER FROM RIGHT, MAINTAIN IN LEFT
G059-3R0G32D	G039-3R0G32D N34	G0L39R032D	NONE	THREE POSITION SPRING RETURN TO CENTER FROM LEFT, MAINTAIN IN RIGHT

- ① Refer to catalog page C62 to select proper operator for enclosure, pages C70 & C71 for Accessories, page C62 for complete details on Area Classification of operators, page C74 for Dimensional Information, page C72 for Special Contact Configurations.
- ② Nameplates are Double sided. 2 position marked OFF-ON and Blank on other side. 3 position marked HAND-OFF-AUTO and Blank on other side. 4 position is Blank.
- ③ Contact Blocks are shown in their normal position.
- ④ All Key Operators are furnished Keyed Different If Keyed Alike is required substitute letter "A" for letter "D" in catalog number.
- ⑤ Keys are removable in Left position on 2 position selectors and in Center position on 3 position selectors. For key removal in ALL positions change "22" in 2 position to "20" and "32" in 3 position to "30".
- ⑥ Short style operators are suitable for Class I Group C & D, Class II Group E,F,G only.



SPECIALTY OPERATORS

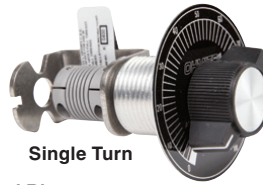


Snap Switch



Multi Turn

Potentiometer and Rheostat
(electrical device not included)



Single Turn



Rotary or Motor Shaft



Capillary Seal



Reset

Class I, Div. 1 & 2, Groups B, C, D^④
 Class I, Zones 1 & 2, Groups IIB, IIA
 Class II, Div. 1 & 2, Groups E, F, G
 Class III
 NEMA 3, 4, 4X, 7 (B, C, D) 9 (E, F, G)

See Area Classification Chart
 page C62 for Details



Certified - File LR11714
 See files for details or call Killark.

FEATURES-SPECIFICATIONS

G SNAP SWITCH OPERATOR					
CATALOG NUMBER ^①		TYPE SWITCH	RATINGS		NAMEPLATE MARKING ^②
SHORT ^④	LONG		125 VAC	250 VAC	
GO30-31F	GO10-31F N34	SPST	10 AMP	5 AMP	OFF/ON OR BLANK
GO30-33F	GO10-33F N34	SPDT (3-WAY)	10 AMP	10 AMP	OFF/ON OR BLANK

(UL File E10501)

G POTENTIOMETERS AND RHEOSTATS OPERATOR					
CATALOG NUMBER ^①			TYPE	DESCRIPTION ^①	
SHORT ^④	LONG	EXTENDED			
GO133	GO113 N34	GOL113	SINGLE TURN	Control operator for use with potentiometers or rheostats having a 1/4" diameter by 7/8" long shaft. NOT SUPPLIED	
GO134	GO114 N34	GOL114	TWENTY TURN		

(UL File E150827)

G RESET OPERATOR					
CATALOG NUMBER ^①			NAMEPLATE ^②	TYPE OPERATION ^①	
SHORT ^④	LONG	EXTENDED			
GO40-KX2C	GO-RST	GOLRST	RESET OR BLANK	Black plunger type reset operator, supplied with a 6" long fiber extension which can be removed or cut to desired length.	

(UL File E150827)

G ROTARY OR MOTOR SHAFT OPERATOR			
CATALOG NUMBER ^①	SHAFT DIAMETER	TYPE	DESCRIPTION ^①
GO-16 ^⑤	1/4"	MALE-FEMALE	Rotary or motor shaft operator used to transfer rotary motion through wall of explosion proof enclosure.
GO-18 ^⑤	3/8"		
GO-17 ^⑤	1/4"	MALE-MALE	
GO-19 ^⑤ GO-51	3/8" 1/2"		

G CAPILLARY SEALS			
CATALOG NUMBER ^①	CAPILLARY SIZE	TYPE	DESCRIPTION ^①
GO-11388-078 ^⑤	0.078± .002 DIA.	ACCEPTS CAPILLARY WITH MAX. BULB DIA. OF 9/16".	Use where a mechanical means for passing a thermostat or similar capillary tube through the wall of a hazardous location enclosure.
GO-11372-093 ^⑤	0.093± .002 DIA.		

^① Refer to catalog page C62 to select proper operator for enclosure, pages C70 & C71 for Accessories, page C62 for complete details on Area Classification of operators, page C74 for Dimensional Information.

^② Nameplates are double sided.

^③ GO40 series reset button is suitable for Class II E, F, and G locations only.

^④ Short style operators are suitable for Class I Group C & D, Class II Group E, F, G only.

^⑤ These devices are not UL or CSA approved.



OPERATOR BODIES



Style 1 - GCS-16



Style 2 - GCS-163



Style 3 - SWBC-16

Class I, Div. 1 & 2, Groups C, D
 Class I, Zones 1 & 2, Groups IIB, IIA
 Class II, Div. 1 & 2, Groups E, F, G
 Class III
 NEMA 7 (C, D) 9 (E, F, G)
 SWBC Series:

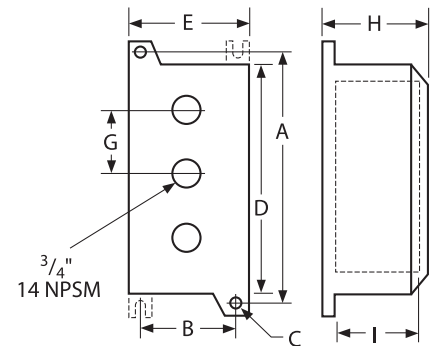
UL LISTED - File E10514

SP Certified - File LR11716
 See files for details or call Killark.

FEATURES-SPECIFICATIONS

GCS STYLE 1 – WITH DRILLED AND TAPPED OPERATOR HOLES IN COVER ^①											
CATALOG	NO. OF OPERATOR HOLES	CONSISTS OF		DIMENSIONS							
		BOX	COVER	A	B	C	D	E	G	H	I
GCS-13	1	SWB-13	X-60	6-1/8" (156)	2-3/8" (60)	5/16" (8)	5-3/16" (148)	3-5/8" (92)	—	3-1/2" (89)	2-9/16" (65)
GCS-14	1	SWB-14	X-60	6-1/8" (156)	2-3/8" (60)	5/16" (8)	5-1/4" (133)	3-5/8" (92)	—	4-5/16" (110)	3-3/8" (86)
GCS-15	2	SWB-15	X-61	7-3/8" (187)	3-1/8" (79)	5/16" (8)	6-1/2" (165)	4" (102)	1" (25)	4-1/4" (108)	3-1/4" (82)
GCS-16	3	SWB-16	X-62	9-3/8" (238)	3-3/16" (81)	5/16" (8)	8-1/2" (216)	4" (108)	2" (51)	4-1/4" (105)	3-1/4" (82)
GCS-83	4	SWB-83 ^②	X-84	13" (330)	3-1/4" (82)	3/8" (10)	11-7/8" (302)	4-3/8" (111)	1-1/4" (32)	4-3/16" (106)	3-1/4" (82)
GCS-85	5	SWB-83 ^②	X-85	13" (330)	3-1/4" (82)	3/8" (10)	11-7/8" (302)	4-3/8" (111)	2" (51)	4-3/16" (106)	3-3/16" (81)

Dimensions



Notes: Use short style operators for cover devices and long style operators for back of box mounted devices when panel mounting. Style 2 only. Style 2 control stations with holes in back of box are typically used for panel mounting where additional length of long style operators is required.

GCS STYLE 2 – WITH DRILLED AND TAPPED OPERATOR HOLES IN BACK OF BOX ^①											
CATALOG	NO. OF OPERATOR HOLES	BOX	COVER	A	B	C	D	E	G	H	I
GCS-131	1	SWB-13	X-10	6-1/8" (156)	2-3/8" (60)	5/16" (8)	5-3/16" (148)	3-5/8" (92)	—	3-1/2" (89)	2-9/16" (65)
GCS-141	1	SWB-14	X-10	6-1/8" (156)	2-3/8" (60)	5/16" (8)	5-1/4" (133)	3-5/8" (92)	—	4-5/16" (110)	3-3/8" (86)
GCS-152	2	SWB-15	X-11	7-3/8" (187)	3-1/8" (79)	5/16" (8)	6-1/2" (165)	4" (102)	1" (25)	4-1/4" (108)	3-1/4" (82)
GCS-163	3	SWB-16	X-12	9-3/8" (238)	3-3/16" (81)	5/16" (8)	8-1/2" (216)	4" (102)	2" (51)	4-1/4" (108)	3-1/4" (82)
GCS-834	4	SWB-83 ^②	X-83	13" (330)	3-1/4" (82)	3/8" (10)	11-7/8" (302)	4-3/8" (111)	1-1/4" (32)	4-3/16" (106)	3-1/4" (82)
GCS-835	5	SWB-83 ^②	X-83	13" (330)	3-1/4" (82)	3/8" (10)	11-7/8" (302)	4-3/8" (111)	2" (51)	4-3/16" (106)	3-3/16" (81)

SWBC STYLE 3 – BLANK BOX AND COVER – NO OPERATOR HOLES ^①											
CATALOG	NO. OF OPERATOR HOLES	BOX	COVER	A	B	C	D	E	G	H	I
SWBC-13	NONE	SWB-13	X-10	6-1/8" (156)	2-3/8" (60)	5/16" (8)	5-3/16" (148)	3-5/8" (92)	—	3-1/2" (89)	2-9/16" (65)
SWBC-14	NONE	SWB-14	X-10	6-1/8" (156)	2-3/8" (60)	5/16" (8)	5-1/4" (133)	3-5/8" (92)	—	4-5/16" (110)	3-3/8" (86)
SWBC-15	NONE	SWB-15	X-11	7-3/8" (187)	3-1/8" (79)	5/16" (8)	6-1/2" (165)	4" (102)	—	4-1/4" (108)	3-1/4" (82)
SWBC-16	NONE	SWB-16	X-12	9-3/8" (238)	3-3/16" (81)	5/16" (8)	8-1/2" (216)	4" (111)	—	4-1/4" (108)	3-1/4" (82)
SWBC-83	NONE	SWB-83 ^②	X-83	13" (330)	3-1/4" (82)	3/8" (10)	11-7/8" (302)	4-3/8" (111)	—	4-3/16" (106)	3-3/16" (81)

① All GCS and SWBC Series are cataloged without conduit openings. Specify conduit size and location when ordering.
 ② GCS-83, GCS-834, and GCS-85, GCS-835 are provided with four mounting lugs.



ACCESSORIES / REPLACEMENT PARTS



Rubber Boot



Hole Plug



Trim Locknut Spacer



Transformer GO-8670



Push Button Lockout GO-8665



Push Button Lockout GO-10502

ACCESSORIES		
CATALOG NUMBER	USED ON OPERATOR TYPE	DESCRIPTION
GO-8176-1	GO1, GO21, GOL1	Protective rubber boot (Black)
GO-8176-2	GO1, GO21, GOL1	Protective rubber boot (Red)
GO-8176-3	GO1, GO21, GOL1	Protective rubber boot (Green)
GO-8177	3/4" NPSM	Hole plug
GO-8222	1/4" Thick, Used as external spacer.	Trim locknut spacer
GO-8670-32	GO23, GOB3, GOL3	Transformer 220V-110V
GO-8670-34	GO23, GOB3, GOL3	Transformer 440V-110V
GO-8671-42	GOB4, GOL4	Transformer 220V-110V
GO-8671-44	GOB4, GOL4	Transformer 440V-110V
GO-8665	GO2, GO22, GOL2, GOR11	Push button lockout
GO-10502	GO1, GO21, GOL1	Push button lockout
GO567-LOK	GO & GOL5-6-7-14-15-26-27-34-35	Selector switch lockout
GO-RL	For use with GO's	Sealing lockout
GO-9824	GO40, GO-RST, GOLRST	Reset plate
B7PLR220	GO23, GOB3, GOL3, GOB4, GOL4	Resistor kit 220V-110V
B7PLR440	GO23, GOB3, GOL3, GOB4, GOL4	Resistor kit 440V-110V
B7PLR550	GO23, GOB3, GOL3, GOB4, GOL4	Resistor kit 550V-110V
KIT-GOTB	GOB3, GOL3, GOB4, GOL4	Terminal Block, 2 Point



Selector Switch Lockout



Reset Plate



Sealing Locknut GO-RL



2 Pt. Terminal Block KIT-GOTB

REPLACEMENT LENS GUARD ASSEMBLIES - "GO" PILOT LIGHTS		
CATALOG NUMBER		LENS COLOR
GOL3/GOB3/GO23 SERIES	GOL4/GOB4 SERIES	
GO15726-A	KIT-354	AMBER
GO15726-B	KIT-355	BLUE
GO15726-C	KIT-356	CLEAR
GO15726-F	KIT-357	FROSTED
GO15726-G	KIT-358	GREEN
GO15726-R	KIT-359	RED



Lens Guard Assembly

REPLACEMENT BLANK NAMEPLATES - "GO" OPERATORS	
CATALOG NUMBER	DESCRIPTION
YOKK-9484-2	PUSH BUTTON PILOT LIGHTS
YOKK-10291	DOUBLE PUSH BUTTON
YOKK-10286	2 POSITION SELECTOR SWITCH
YOKK-10287	3 POSITION SELECTOR SWITCH
YOKK-10285	4 POSITION SELECTOR SWITCH

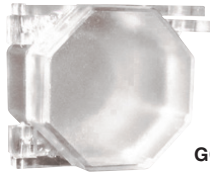


"GO" Legend Plate



CONTROLS

ACCESSORIES / REPLACEMENT PARTS



GOMLOCK



Standard Mushroom
Momentary &
Maintained



Jumbo Mushroom
Momentary

ACCESSORIES		
CATALOG NUMBER	FOR USE ON OPERATOR TYPE	DESCRIPTION
GOMLOCK	GOM1-GOM21-GOML-GO1-GO21-GOL1	LOCK OUT FOR STANDARD SIZE MOMENTARY & MAINTAINED HEAD
GOMSTG	GO1-GO21-GOL1	STANDARD SIZE MOMENTARY MUSHROOM HEAD (GREEN)
GOMSTR	GO1-GO21-GOL1	STANDARD SIZE MOMENTARY MUSHROOM HEAD (RED)
GOMSTK	GO1-GO21-GOL1	STANDARD SIZE MOMENTARY MUSHROOM HEAD (BLACK)
GOMJUR	GO1-GO21-GOL1	JUMBO SIZE MOMENTARY MUSHROOM HEAD (RED)
KIT-GOMR	GOM1-GOM21	STANDARD SIZE MAINTAINED MUSHROOM HEAD (RED)
KIT-GOMG	GOML-GO1	STANDARD SIZE MAINTAINED MUSHROOM HEAD (GREEN)
KIT-GOMK	GO21-GOL1	STANDARD SIZE MAINTAINED MUSHROOM HEAD (BLACK)

Dimensions — Standard Mushroom – 1-1/2" Diameter Jumbo Mushroom – 2-1/4" Diameter

Replacement Parts



Slide Base
GO23



Bayonet Base
GOL3/GOL4
GOB3/GOB4

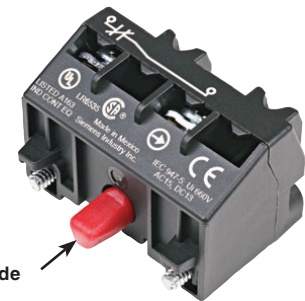


LED Lamp for
GOB3/GOL3 - GOB4/GOL4

PILOT LIGHT LAMPS				
CATALOG NUMBER	VOLTS	WATTS	AMPS	STYLE
GO-8668-120	120	3	0.025	GO23
GO-8668-24	24	1.7	0.073	
YOSY120MB	120	3	0.025	GOB3/GOL3
YOSY24MB	24	1.7	0.073	GOB4/GOL4

PILOT LIGHT LED LAMPS		
CATALOG NUMBER	VOLTS	COLOR
GOLED-A110	110 VAC/DC	AMBER
GOLED-B110	110 VAC/DC	BLUE
GOLED-G110	110 VAC/DC	GREEN
GOLED-R110	110 VAC/DC	RED
GOLED-W110	110 VAC/DC	WHITE
GOLED-A24	24 VAC/DC	AMBER
GOLED-B24	24 VAC/DC	BLUE
GOLED-G24	24 VAC/DC	GREEN
GOLED-R24	24 VAC/DC	RED
GOLED-W24	24 VAC/DC	WHITE
GOLED-A240 [Ⓢ]	220/240 VAC	AMBER
GOLED-B240 [Ⓢ]	220/240 VAC	BLUE
GOLED-G240 [Ⓢ]	220/240 VAC	GREEN
GOLED-R240 [Ⓢ]	220/240 VAC	RED
GOLED-W240 [Ⓢ]	220/240 VAC	WHITE

[Ⓢ] Not for use with ATEX operators.



Color Code

Finger Safe with Gold Flashing as Standard

GO STANDARD CONTACT BLOCKS*		
CATALOG NUMBER	DESCRIPTION	COLOR CODE
GO-8673-BJK	1 N.O.	WHITE
GO-8673-BJJ	1 N.C.	RED
GO-8673-BJH	1 N.O. EARLY MAKE	GREEN
GO-8673-BJE	1 N.C. LATE BREAK	YELLOW
GO-8673-BJKJ	1 N.O./1 N.C.	BLACK

* 600VAC Max., 10 Amps, A600/P600
Dimensions: 1.63"L x 1.06"W x 1"Deep

New series finger safe contact blocks can be stacked on to older series "E" type blocks. However "E" type contact blocks cannot be stacked on to finger safe blocks.



CUSTOM OPERATOR ORDERING SYSTEM

Example: G01 — RX 2 B N34
 FORM **COLOR** **CONTACTS** **NAMEPLATE** **CONSTANT**
 SINGLE PUSH BUTTON **(RED)** **(1 N.C.)** **(STOP)**
 LONG STYLE

NOTE: For faster delivery on custom operators order push buttons and selector switches without contact blocks and order contacts as a separate item.

FEATURES-SPECIFICATIONS

1. Select operator form and style (short, long or extended).
2. Using the catalog numbering system below, insert the proper letter or number symbol as shown in appropriate charts on page C73, write the complete catalog number.
3. Spaces in catalog numbering system which have symbol already filled in cannot be changed.
4. Order accessories as separate item from pages C70 & C71.
5. Add "N34" suffix to the end of all long style operators with the following prefix: G01, G02, G0B3, G0B4, G05, G06, G07, G08, G010, G011, G014, G015, G036, G037, G038, G039.

CATALOG SERIES	COLOR	VOLTAGE	POSITION	CAM	CONTACTS	NAMEPLATE	KEY LOCK	KEY TYPE	DESCRIPTION
G01 & G021 GOL1	CHART 1				CHART 4	CHART 8			SINGLE PUSH BUTTON: (MOMENTARY CONTACT)
G0M1	CHART 1				CHART 4	CHART 8			SINGLE PUSH BUTTON: (MAINTAINED CONTACT)
G02 & G022 GOL2	CHART 2				CHART 4	CHART 8			DOUBLE PUSH BUTTON: (MOMENTARY CONTACT)
G0R11	CHART 2				CHART 4	CHART 8			DOUBLE PUSH BUTTON: (MAINTAINED CONTACT)
G0B3 & G023 GOL3	CHART 3	CHART 6				CHART 8			PILOT LIGHT
G0B4 GOL4	CHART 3	CHART 6			CHART 4	CHART 8			ILLUMINATED PUSH BUTTON
G05 & G025 GOL5			CHART 5	CHART 7	CHART 4	CHART 8			SELECTOR SWITCH (MAINTAINED CONTACT)
G06 & G026 GOL6					CHART 4	CHART 8			SELECTOR SWITCH (2 POSITION, SPRING RETURN TO LEFT)
G07 & G027 GOL7					CHART 4	CHART 8			SELECTOR SWITCH (3 POSITION, RETURN TO CENTER FROM CENTER)
G014 & G034 GOL14					CHART 4	CHART 8			SELECTOR SWITCH (3 POSITION, RETURN TO CENTER FROM RIGHT)
G015 & G035 GOL15					CHART 4	CHART 8			SELECTOR SWITCH (3 POSITION, RETURN TO CENTER FROM LEFT)
G08 & G028 GOL8			CHART 5	CHART 7	CHART 4	CHART 8	CHART 9	CHART 10	KEY SELECTOR SWITCH (MAINTAINED CONTACT)
G036 & G056 GOL36					CHART 4	CHART 8	CHART 9	CHART 10	KEY SELECTOR SWITCH (2 POSITION, SPRING RETURN TO LEFT)
G037 & G057 GOL37					CHART 4	CHART 8	CHART 9	CHART 10	KEY SELECTOR SWITCH (3 POSITION, SPRING RETURN TO CENTER)
G038 & G058 GOL38					CHART 4	CHART 8	CHART 9	CHART 10	KEY SELECTOR SWITCH (3 POSITION, RETURN TO CENTER FROM RIGHT)
G039 & G059 GOL39					CHART 4	CHART 8	CHART 9	CHART 10	KEY SELECTOR SWITCH (3 POSITION, RETURN TO CENTER FROM LEFT)



G SYMBOLS FOR ORDERING CUSTOM OPERATORS

CHART 1 – SINGLE BUTTON				
G01 SYMBOL	G021 SYMBOL	G0L1 SYMBOL	G0M1 SYMBOL	COLOR
KX	KZ	K	KM	BLACK
RX	RZ	R	RM	RED
GX	GZ	G	GM	GREEN

CHART 2 – DOUBLE BUTTON	
SYMBOL	COLOR
KK	BLACK/BLACK
GG	GREEN/GREEN
RR	RED/RED
RG	RED/GREEN
KR	BLACK/RED
KG	BLACK/GREEN

CHART 3 – PILOT LIGHT LENS	
SYMBOL	COLOR
A	AMBER
B	BLUE
C	CLEAR
F	FROSTED
G	GREEN
R	RED

CHART 4 – CONTACT BLOCKS	
SYMBOL	ARRANGEMENT
1	ONE N.O. BLOCK
2	ONE N.C. BLOCK
3	ONE UNIVERSAL (ONE N.O. AND ONE N.C.)
4	ONE DELAYED BREAK N.C. BLOCK
5	ONE EARLY MAKE N.O. BLOCK
6	TWO N.O. BLOCKS
7	TWO N.C. BLOCKS
8	TWO UNIVERSAL (TWO N.O. AND TWO N.C.)
0	OMIT CONTACT BLOCK

CHART 5 – SELECTOR SWITCHES	
SYMBOL	NO. OF POSITIONS
2	TWO
3	THREE

CHART 6 – PILOT LIGHT LAMPS		
G023 SYMBOL	GOB3/GOB4 SYMBOL	VOLTAGE
23	23	120
4	4	24
40	40	240

CHART 7A – SELECTOR SWITCH CAMS							
CAM AND CONTACT SELECTION TABLE FOR 2 AND 3 POSITION SELECTOR OPERATOR							
		LEFT POSITION		CENTER POSITION		RIGHT POSITION	
SYMBOL	CONTACTS BLOCKS	LEFT/TOP BLOCKS	RIGHT/BOT BLOCKS	LEFT/TOP BLOCKS	RIGHT/BOT BLOCKS	LEFT/TOP BLOCKS	RIGHT/BOT BLOCKS
A	NC	X	X			O	O
	NO	O	O			X	X
B	NC	X	O	X	X	O	X
	NO	O	X	O	O	X	O
C	NC	X	X	O	O	O	O
	NO	O	O	O	O	X	X
D	NC	O	O	X	X	O	O
	NO	O	O	O	O	X	X
G	NC	X	O	O	X	O	O
	NO	O	O	O	O	X	X

Note: Spring return operators are supplied with special fixed cam. Changes cannot be made for cam substitution.

CHART 7B	
CAM	PART NUMBER
A	0106775B
B	11586ABAB
C	11587ABAB
D	11588ABAB
G	11590ABAB

CHART 8 – NAMEPLATES ^①			
SYMBOL	NAMEPLATE MARKINGS		G SERIES FORMS THAT NAMEPLATE CAN BE USED ON
	FRONT	BACK	
A	OMIT NAMEPLATE	OMIT NAMEPLATE	ALL
B	START	STOP	G01, 21, 23, 20, 40, GOB3
C	BLANK	RESET	G01, 21, 23, 20, 40, GOB3, GOB4
E	BLANK	ON	GOR4
F	BLANK-BLANK	OFF-ON	G05, 25, 6, 26, 8, 28, 10, 30, 36, 56
G	BLANK-BLANK-BLANK	HAND-OFF-AUTO	G05, 25, 7, 27, 8, 28, 10, 30, 14, 34
H	BLANK-BLANK-BLANK-BLANK	START-STOP	G05, 25, 10, 30

^① Symbol not required on extended length GOL part number.

CHART 9 – KEY LOCK	
SYMBOL	TYPE
22	2 POSITION KEY REMOVE LEFT
20	2 POSITION KEY REMOVE BOTH
32	3 POSITION KEY REMOVE CENTER
30	3 POSITION KEY REMOVE ALL

CHART 10 - KEY STYLE	
SYMBOL	TYPE
D	KEYS DIFFERENT
A	KEYS ALIKE



DIMENSIONS

G DIMENSIONS					
SERIES	FIGURE	A	B	C	D
GO1	1	15/16"(24)	1-3/4"(44)	3-7/16"(87)	1-1/4"(32)
GO2	3	13/16"(21)	2"(51)	3-3/4"(95)	—
GOB3	4	1-1/8"(29)	2"(51)	2-3/4"(70)	1-9/16"(40)
GOB4	5	2-3/8"(60)	2-1/4"(57)	4"(101)	1-13/16"(46)
GO5	9	1-5/16"(33)	1-3/4"(44)	3-7/16"(87)	1-1/4"(32)
GO6,GO7,GO14,GO15	9	1-5/16"(33)	1-3/4"(44)	3-13/16"(97)	1-1/4"(32)
GO8	10	2-9/16"(65)	1-3/4"(44)	3-1/2"(89)	1-1/4"(32)
GO10	11	1-5/16"(33)	1-3/4"(44)	4"(101)	1-1/4"(32)
GO16,GO18	7	1-1/4"(32)	1"(25)	13/16"(21)	1-1/2"(38)
GO17,GO19	7	13/16"(21)	1"(25)	13/16"(21)	1-1/2"(38)
GO21	1	15/16"(24)	3/4"(19)	2-7/16"(62)	1-1/4"(32)
GO22	3	13/16"(21)	1"(25)	2-3/4"(70)	—
GO23	4	1-1/8"(29)	1"(25)	1-3/4"(44)	1-9/16"(40)
GO25	9	1-5/16"(33)	3/4"(19)	2-7/16"(62)	1-1/4"(32)
GO26,GO27,GO34,GO35	9	1-5/16"(33)	3/4"(19)	2-13/16"(71)	1-1/4"(32)
GO30	11	1-5/16"(33)	3/4"(19)	3"(76)	1-1/4"(32)
GO36,GO37,GO38,GO39	10	2-9/16"(65)	1-3/4"(44)	3-7/8"(98)	1-1/4"(32)
GO40	2	15/16"(24)	11/16"(17)	1"(25)	1-1/4"(32)
GO50	7	1-1/2"(38)	2"(51)	6-5/16"(160)	2-5/16"(59)
GO51	7	2-1/4"(57)	1-5/8"(41)	5-9/16"(141)	1"(25)
GO56,GO57,GO58,GO59	10	2-9/16"(65)	3/4"(19)	2-7/8"(73)	1-1/4"(32)
GO113,GO114	6	1"(25)	2"(51)	3-5/8"(93)	1-13/16"(46)
GO133,GO134	6	1"(25)	1"(25)	2-5/8"(67)	1-13/16"(46)
GO-11388-078	8	1-5/16"(33)	3/4"(19)	N/A	1-1/2"(38)
GO-11372-093	8	1-5/16"(33)	3/4"(19)	N/A	1-1/2"(38)
GOR11	3	13/16"(21)	2"(51)	4-1/8"(105)	—
GO-RST	2	15/16"(24)	2-5/16"(59)	2-3/8"+6"(60)	1-1/4"(32)
GOM1	1	1-7/8"(48)	1-7/16"(37)	4"(101)	1-5/8"(41)
EXTENDED LENGTH OPERATORS:					
GOL1	1	15/16"(24)	2-3/4"(70)	4-7/16"(113)	1-1/4"(32)
GOL2	3	13/16"(210)	2-3/4"(70)	4-1/2"(114)	—
GOL3	4	1-1/8"(29)	2-3/4"(70)	3-3/8"(86)	1-9/16"(40)
GOL4	5	2-3/8"(60)	2-3/4"(70)	4-5/8"(117)	1-13/16"(46)
GOL5	9	1-5/16"(33)	2-3/4"(70)	4-7/16"(113)	1-1/4"(32)
GOL6,GOL7,GOL14,GOL15	9	1-5/16"(33)	2-3/4"(70)	4-13/16"(122)	1-1/4"(32)
GOL8	10	1-9/16"(40)	2-3/4"(70)	4-1/2"(114)	1-1/4"(32)
GOL36,GOL37,GOL38,GOL39	10	1-9/16"(40)	2-3/4"(70)	4-7/8"(124)	1-1/4"(32)
GOL113,GOL114	6	1"(25)	3"(76)	4-5/8"(117)	1-13/16"(46)
GOLRST	2	15/16"(24)	2-3/4"(70)	3"+6"(76)	1-1/4"(32)

NOTE: All operators are for installation into a 3/4"-14 NPSM opening except GO50 which is for 1-1/4"-11-1/2 NPSM and GO-11388-078 + GO-11372-093 which are for use in a 3/4"-14 NPT opening.

Push Buttons

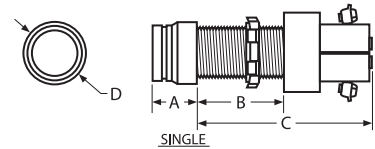


FIGURE 1

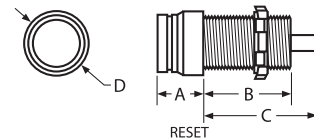


FIGURE 2

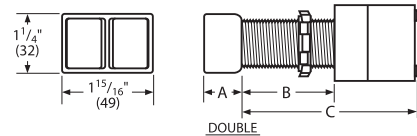


FIGURE 3

Pilot Lights

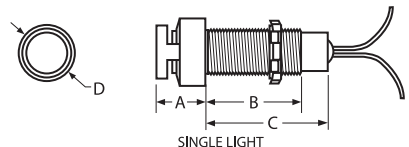


FIGURE 4

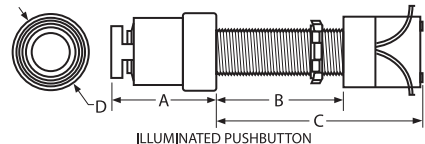


FIGURE 5

Special Operators

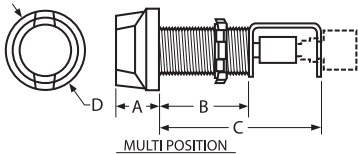


FIGURE 6

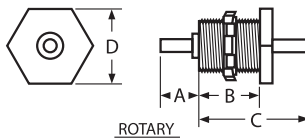


FIGURE 7

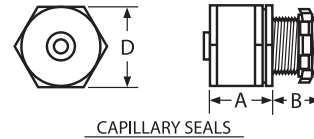


FIGURE 8

Selector Switches

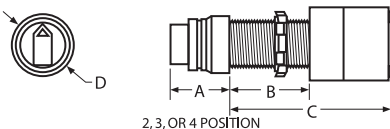


FIGURE 9

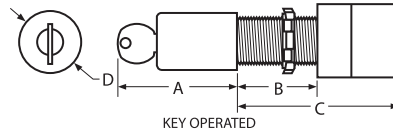


FIGURE 10

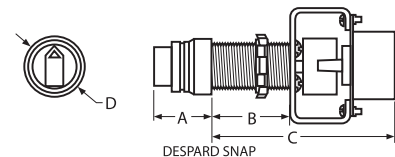


FIGURE 11

