



KILLARK®

INSTALLATION, OPERATION & MAINTENANCE DATA SHEET

Type EY, EYD Sealing Fittings for Hazardous Locations



TYPE EY, EYD SEALING FITTINGS FOR HAZARDOUS LOCATIONS

CAUTION:

Before installing, make sure you are compliant with area classifications, failure to do so may result in bodily injury, death and property damage. Do not attempt installation until you are familiar with the following procedures. All installation must comply with the applicable Electrical Code.

Make sure that the circuit is de-energized before starting installation or maintenance.

Verify that the installation is grounded. Failure to ground will create electrical shock hazards, which can cause serious injury and or death.

Technical information, advice and recommendations contained in these documents is based upon information that Killark believes to be reliable. All the information and advice contained in these documents is intended for use only by persons having been trained and possessing the requisite skill and know-how and to be used by such persons only at their own discretion and risk. The nature of these instructions is informative only and does not cover all of the details, variations or combinations in which this equipment may be used, its storage, delivery, installation, check out, safe operation and maintenance. Since conditions of use of the product are outside of the care, custody and control of Killark, the purchaser should determine the suitability of the product for his intended use, and assumes all risk and liability whatsoever in connection therewith.

KILLARK®



3940 Dr. Martin Luther King Drive
St. Louis, MO 63113

P/N KIL00921492 FORM NO. K1492 ERO8-030-17

Page 1 of 3

1. PREPARING EY & EYD SEALING FITTINGS

For vertical conduit installations use Killark "PF" Packing Fiber to build a dam at each conduit hub except for upper hubs in the vertical position (see installation image). Use a wooden stick to force the wires apart, and pack the fiber tightly around all wires. The dam must be tight and strong enough to keep the sealing compound from leaking out before it sets up. The completed dam should be even with the conduit stops as shown.

For EYD installations coat the plastic tubing and the threads of the plastic thread protector in the drain hole. Then push the tubing into the thread protector until the top end is even with the bottom of the threads, as shown. (See Image 2). When the sealing compound has cured (See Mixing & Cure Times) pull the plastic tubing out with a pair of pliers and unscrew the plastic thread protector. Install the KDB-1 drain and tighten it firmly.

TABLE 1

Conduit Size (In.)	Killark Cat. No.	Required Amount Mixed (Oz.)
½	EY-1 EYD-1	1.0
¾	EY-2 EYD-2	1.5
1	EY-3 EYD-3	2.5
1 ¼	EY-4 EYD-4	5.5
1 ½	EY-5 EYD-5	7.5
2	EY-6 EYD-6	11
2 ½	EY-7 EYD-7	23
3	EY-8 EYD-8	24
3 ½	EY-9 EYD-9	47
4	EY-0 EYD-0	48

2. MIXING & CURE TIMES

For use with Killark Type "SC" Sealing Compound, mix the sealing compound with water at a rate of 3.3 parts of compound to 1 part water by volume (4 to 1 by weight). Use a clean mixing vessel for each batch. Sprinkle the sealing compound into water while stirring; continue mixing for at least 3 MINUTES. The proper consistency is just fluid enough to pour SLOWLY, like thick gravy (NOT WATERY) and should have a smooth silky shimmer in appearance when mixed correctly. Do not mix more material than can be poured in 15 minutes. Discard any sealing compound that has become too stiff to use. Never attempt to restore workability by stirring in more water. After the compound is mixed properly, slowly pour it into the sealing fitting. Make sure the wires are separated so the compound will completely surround them. Pour slowly to avoid trapping air bubbles in the compound and fill to bottom of the threads as shown (See Image 1).

CAUTION: FOR GROUPS C & D

Sealing compound to be mixed at a temperature no lower than 35°F/2°C and ONLY poured into fittings that have been brought to a temperature of 35°F/2°C. Seals must NOT be exposed to temperatures below 35°F/2°C for at least 8 hours.



IMAGE 1

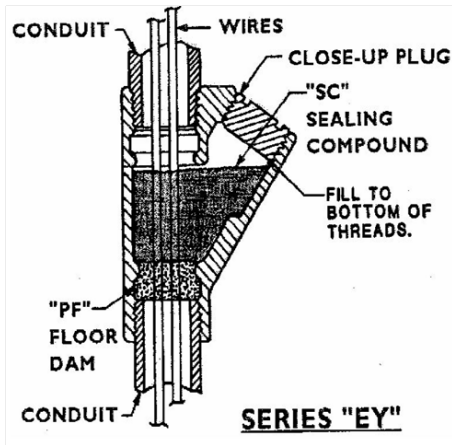


IMAGE 2

