



KILLARK®

INSTALLATION, OPERATION & MAINTENANCE DATA SHEET

Type EYS Sealing Fittings for Hazardous Locations



TYPE EYS SEALING FITTINGS FOR HAZARDOUS LOCATIONS

CAUTION:

Before installing, make sure you are compliant with area classifications, failure to do so may result in bodily injury, death and property damage. Do not attempt installation until you are familiar with the following procedures. All installation must comply with the applicable Electrical Code.

Make sure that the circuit is de-energized before starting installation or maintenance.

Verify that the installation is grounded. Failure to ground will create electrical shock hazards, which can cause serious injury and or death.

Technical information, advice and recommendations contained in these documents is based upon information that Killark believes to be reliable. All the information and advice contained in these documents is intended for use only by persons having been trained and possessing the requisite skill and know-how and to be used by such persons only at their own discretion and risk. The nature of these instructions is informative only and does not cover all of the details, variations or combinations in which this equipment may be used, its storage, delivery, installation, check out, safe operation and maintenance. Since conditions of use of the product are outside of the care, custody and control of Killark, the purchaser should determine the suitability of the product for his intended use, and assumes all risk and liability whatsoever in connection therewith.

KILLARK®



3940 Dr. Martin Luther King Drive
St. Louis, MO 63113

P/N 00911851 FORM NO. K0602 R03/04 ECO 8-030-017

Page 1 of 3

1. DIRECTIONS FOR INSTALLATION

Seals are installed in conduit runs to minimize the passage of gases, vapours or flames from one portion of the electrical installation to another through the conduit; also, to prevent pre-compression or “pressure-piling” of vapours or gases in conduit systems.

Sealing fittings should be installed in the conduit system in accordance with Articles 501-5 and 502-5 of the National Electrical Code.

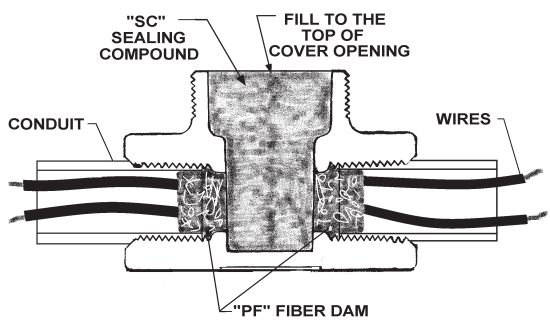
Series EYS sealing fittings may be installed vertical or horizontal in conduit runs. If used horizontal, the fitting must be positioned so that the cover is facing upward. Remove cover and pour sealing compound flush to the top of the cover opening.

Prepare the fitting by separating the conductors and making a dam to hold the fluid sealing compound with Killark type “PF” packing fiber. Dams even with the conduit stop are required in the lower hub vertical fittings and both hubs of horizontal fittings. Pack the packing fiber tightly between the conductors and between the conductors and the hubs. Use care so as not to damage the conductor insulation. Be sure to push any shreds of packing fiber away from the conductors to prevent leakage paths.

Use ONLY Killark Type “SC” sealing compound with these fittings. The compound is mixed with water at the rate of 3 parts of compound to 1 part of water by volume. Chart A shows the amount of compound required for your fitting. Fittings with fewer conductors will require more compound. Use a clean mixing vessel for every batch. Sprinkle the compound into the water while stirring, until a thick paste is formed. Continue mixing for AT LEAST 3 MINUTES. The proper consistency is just fluid enough to pour SLOWLY, like thick gravy, from an inverted container; NOT WATERY. Do not mix more material than can be poured in 15 minutes. Discard any material that becomes too stiff to use. Never attempt to restore workability by stirring in more water.

Slowly pour the fluid compound into the sealing fitting to the level indicated in drawing. Be careful to pour slowly so as not to trap air bubbles in the poured seal. Immediately wipe off any spilled compound and close the seal with the close-up plug or cover. Initial set of the sealing compound will occur within 30 minutes, however, the compound requires a minimum of 8 hours above 40° F to develop sealing strength. Once fully cured, (min. 7 days) there is no lower temperature limit to which “SC” could be exposed.





SERIES "EYS"

CHART A

Conduit Size	Killark Cat. No.	Suitable for Hazardous Locations	Approx. Fluid Ounces
¾"	EYS-2	Cl. 1, Gr. C&D, Cl. 2, Gr. EFG	2
1"	EYS-3	Cl. 1, Gr. C&D, Cl. 2, Gr. EFG	5.5
1 ¼"	EYS-4	Cl. 1, Gr. C&D, Cl. 2, Gr. EFG	6
1-½"	EYS-5	Cl. 1, Gr. C&D, Cl. 2, Gr. EFG	13
2"	EYS-6	Cl. 1, Gr. C&D, Cl. 2, Gr. EFG	20.5
2 ½"	EYS-7	Cl. 1, Gr. C&D, Cl. 2, Gr. EFG	33
3"	EYS-8	Cl. 1, Gr. C&D, Cl. 2, Gr. EFG	38.5
3 ½"	EYS-9	Cl. 1, Gr. C&D, Cl. 2, Gr. EFG	51
4"	EYS-0	Cl. 1, Gr. C&D, Cl. 2, Gr. EFG	51



3940 Dr. Martin Luther King Drive
St. Louis, MO 63113

P/N 00911851 FORM NO. K0602 R03/04 ECO 8-030-017