

M-11355

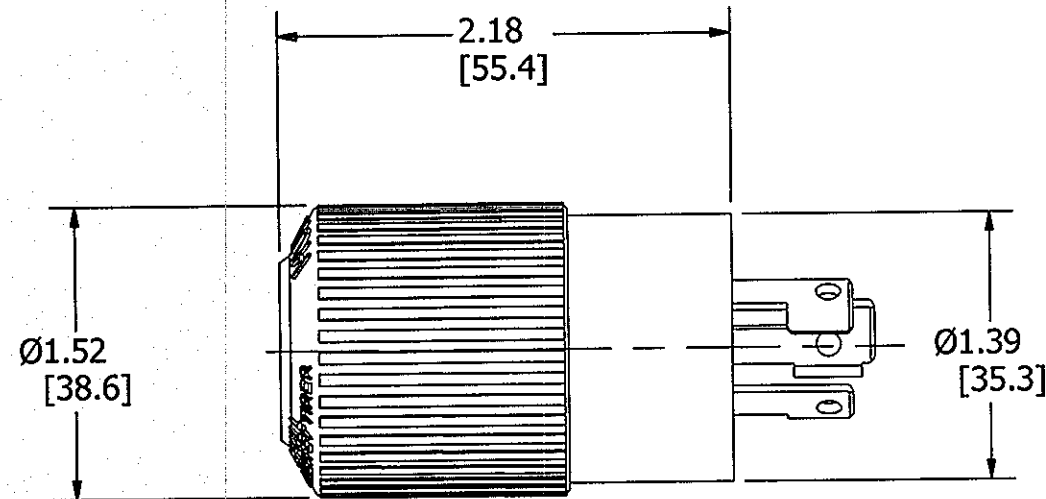
4

NEMA NO.	RATING	POLE/WIRE	CAT. NO.	CONFIG.
5 - 15P	15A 125V	2P 3W GROUNDING	515SP	
5 - 20P	20A 125V	2P 3W GROUNDING	520SP	
L5 - 15P	15A 125V	2P 3W GROUNDING	L515P	
L7 - 15P	15A 277V	2P 3W GROUNDING	L715P	

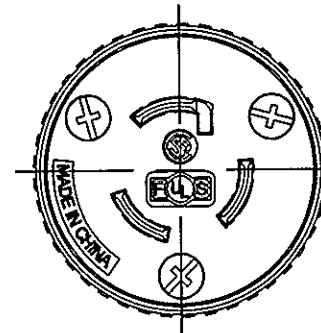
CORD RANGE

3 CONDUCTOR

18/3 SJ - 12/3 SO  
.300 in - .655 in  
7.6 mm - 16.6 mm

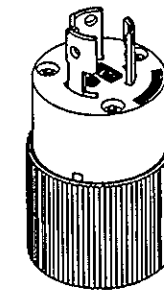


L515P SHOWN



LIST OF PARTS

DESCRIPTION	MATERIAL	FINISH
PULL DOWN RING	NYLON	BLACK
GRIP BODY	NYLON	BLACK
TERMINAL COVER	LEXAN	CLEAR
DRIVE SCREW	STEEL	ZINC PLATE
DUST COVER	RUBBER	BLACK
ASSEMBLY SCREW	STEEL	ZINC PLATE
TERMINAL SCREW	STEEL	GREEN/NICKEL/BRASS
WIRE CLAMP NUT	STEEL	BRASS/STEEL/TIN PLATE
15/20A HOT BLADE	BRASS	
15/20A NEUT BLADE	BRASS	
GROUND BLADE	BRASS	
PLUG FACE	NYLON	WHITE



CATALOG NO. L515P  
(NOT SHOWN TO SCALE)

4	REDRAWN WITH EMBEDDED CAD MODEL WITH NO CHANGES TO PART GEOMETRY. PER DCN 21895 SPN	DJP	2/5/16
REV	DESCRIPTION	APP	DATE

THE DESIGN AND DIMENSIONS OF THE PRODUCT SHOWN ON THIS DRAWING ARE SUBJECT TO CHANGE WITHOUT NOTICE

TITLE  
15A STRAIGHT BLADE & LOCKING 20A STRAIGHT BLADE PLUGS

TOLERANCES UNLESS OTHERWISE SPECIFIED .XX = ± .01 .XXX = ± .005 ANGLES = ± 2°	WIRING DEVICE-KELLEMS HUBBELL INCORPORATED SHELTON, CT			
	DR. BY	MJM	APP. BY	TLS
	TR. BY		SCALE	1:1
	CHK. BY	TLS	DATE	9/1/09

NOTES:

1. ALL DEVICES ARE UL, CSA CERTIFIED.
2. ALL DEVICES ARE FED. SPEC.
3. DIMENSIONS ARE IN INCHES [mm].

DIMENSION SHEET FOR CAT. NO. M-11355  
 SEE TABLE  
 REPAIRABLE   
 NON-REPAIRABLE   
 B  
 M-11355  
 4