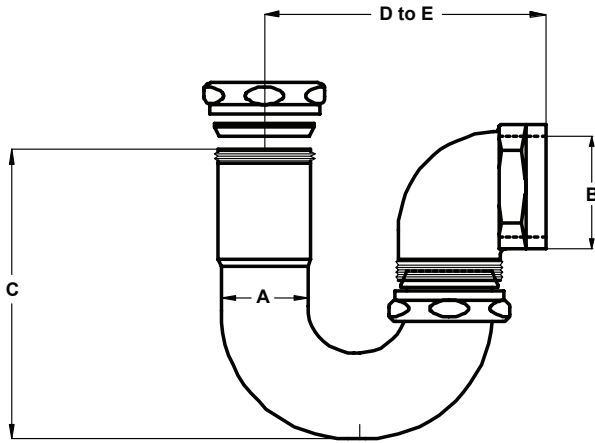




ADJUSTABLE STYLE BRASS SINK-TRAP "LA STYLE", IPS OUTLET

PLUMBING PRODUCT SPECIFICATION



INSTALLATION MEASUREMENTS					
PART NO.	INLET OD	OUTLET IPS	HEIGHT	LENGTH	Tube
	(A)	(B)	(C)	(D TO E)	GA
450PC*	1 1/4	1 1/2	5	5	17
450RB*	1 1/2	1 1/2	5	5	17
451PC*	1 1/2	1 1/2	5	5	17
451RB	1 1/2	1 1/2	5	5	17
451SN	1 1/2	1 1/2	5	5	17
452PC	1 1/2	1 1/2	5	5	17

PART # SUFFIX DESIGNATIONS

BN - Brass nuts RB - Rough brass finish
 PC - Polished Chrome SN - Satin finish

* Part #'s provided standard with Keeney's unique Red TPE "leak free technology" washers

DESCRIPTION

Brass adjustable style sink-trap for plumbing fixture.

Constructed of 17 gauge seamless brass & cast elbow.

INCLUDES:

- J-bend with ground joint, elbow, slip nuts, and slip washers
- Seamless brass tube only
- Heavy duty chromium finish
- Factory testing to ensure leak free performance

INDUSTRY APPROVALS

- UPC/IAPMO
- CSA
- Mass Code

Listing of parts approved for specific codes available. See Keeney contact information below.

SPECIFIER APPROVAL	
Job Name	Date
Model	Qty
Wholesaler	
Contractor	
Architect	

**FOR MORE INFORMATION CALL 1-800-243-0526
 OR E-MAIL NCS@UPT.COM**

THE KEENEY MANUFACTURING COMPANY

www.keeneymfg.com

*Keeney Representative
 Stamp or Label Here*