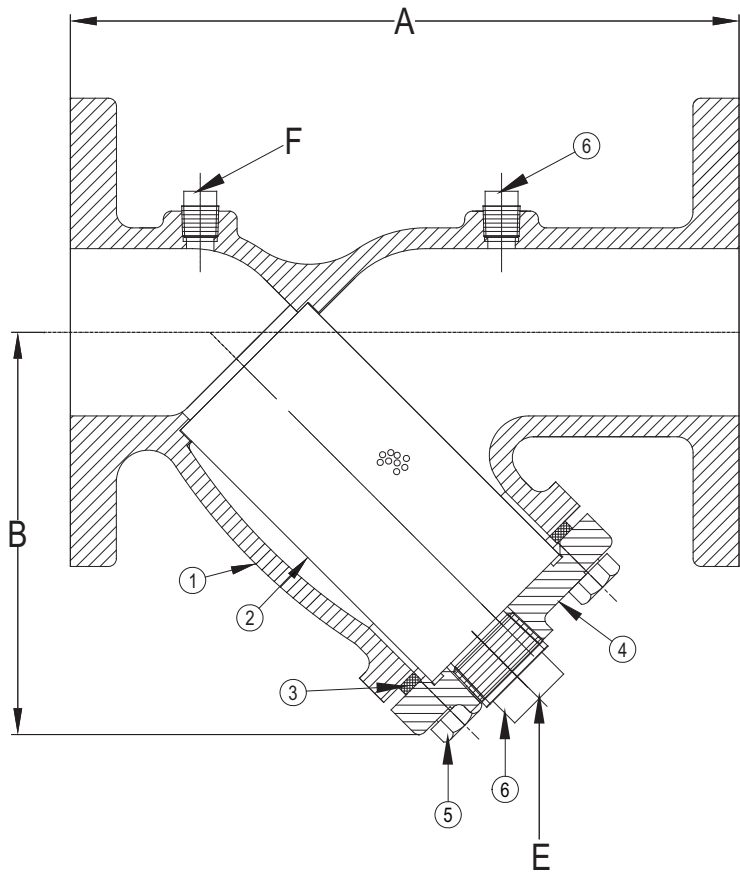


DRAWING NO.
AL 91600



BODY PRESSURE & TEMPERATURE RATINGS – NON SHOCK			
NOM. RATING	MEDIA	2" to 12"	14" and UP
125# F.F. & D. (STANDARD FLANGE)	STEAM	125 PSI @ 450°F	100 PSI @ 353°F
	W.O.G.	200 PSI @ 150°F	150 PSI @ 150°F

PARTS LIST		
ITEM	DESCRIPTION	MATERIAL
1	BODY	CAST IRON (ASTM A 126, CLASS B)
2	SCREEN	STAINLESS STEEL (304)
3	GASKET	COMPOSITION
4	COVER	CAST IRON (ASTM A 126, CLASS B)
5	HEX HEAD CAP SCREWS	STEEL
6	PLUG	CARBON STEEL (ASTM A 105)

Product Number†	SIZE	DIMENSIONS (in)				COVER		WEIGHT (lbs)
		A	B	E	F	No of bolts	Size of Bolts	
21FFY-CI062P34-FBB	2	7-7/8	5-1/16	1/2	1/4	6	3/8-16 x 1-1/2	17
21/21FFY-CI-062P34-FBB	2-1/2	10	6-1/8	1	1/4	6	3/8-16 x 1-1/2	24
31FFY-CI06234-FBB	3	10-1/8	6-9/16	1	1/4	4	1/2-13 x 1-3/4	31
41FFY-CI062P34-FBB	4	12-1/8	8-1/16	1-1/2	1/4	4	1/2-13 x 1-1/2	50
51FFY-CI125P34-FBB	5	15-5/8	11	2	1/4	8	5/8-11 x 1-3/4	86
61FFY-CI125P34-FBB	6	18-1/2	12-5/8	2	1/4	8	5/8-11 x 1-3/4	114
81FFY-CI125P34-FBB	8	21-5/8	15-5/8	2	1/4	8	3/4-10 x 2	203
101FFY-CI125P34-FBB	10	25-3/4	17-3/4	2	1/4	12	7/8-9 x 2-1/4	293
121FFY-CI125P34-FBB	12	29-7/8	21-5/16	2	1/4	12	7/8-9 x 2-1/2	489
141FFY-CI125P34-FBB	14	33-1/4	26-3/4	2	N/A	16	3/4-10 x 1-3/4	772
161FFY-CI125P34-FBB	16	38-3/4	30-1/8	2	N/A	16	3/4-10 x 1-3/4	994
181FFY-CI125P34-FBB	18	43-1/2	33-1/4	2	N/A	20	7/8-9 x 2	1379
201FFY-CI125P34-FBB	20	49-1/2	39-1/4	2	N/A	20	1-8 x 2-1/4	1652
241FFY-CI125P34-FBB	24	55-13/16	41	2	N/A	-	-	3400

†See "Style A7 Product Number Configuration" for additional options.

Dimensions and weights are for reference only. When required, request certified drawings.

Face to face values tolerance in compliance with ASME B16.1.

STANDARD SCREENS SUPPLIED

SIZE	SCREEN PERFORATION			
	FOR LIQUID	OPEN AREA	FOR STEAM	OPEN AREA
in	in		in	
2 to 4	1/16	30%	3/64	33%
5 to 10	1/8	43%	3/64	33%
12	1/8	43%	1/16	30%
14 & UP	1/8	43%	1/8	43%

Standard screens supplied are for **liquid service**, unless otherwise specified.
Options: Other perforations, meshes, and screen materials are available.

KECKLEY

3400 CLEVELAND SKOKIE ILLINOIS

DRAWING NO.
AL 91600

DIMENSIONAL ASSEMBLY

PART NO.

2" to 24" 125# Flg Style A7

SCALE: NTS

DATE: 09/21/2020

MAT'L: (As Noted Above)

REQ. ---

DR. BY DSF