

Gas Ball Valve



2 Piece • Threaded Connection • 600 WOG

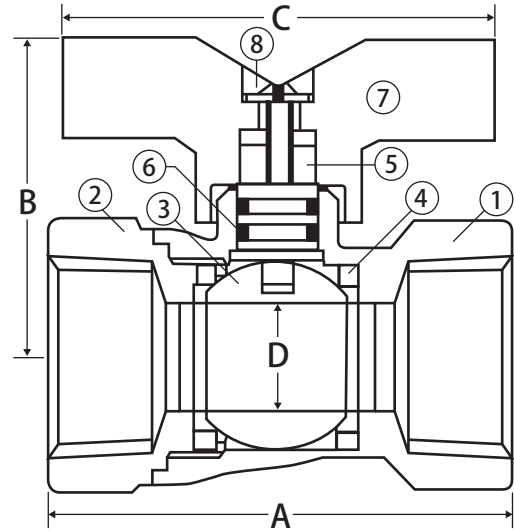


T-handle

Teardrop Handle

CRN# 0C16887.5469870YTN

T-204



Material Specifications

| No. | Part | Materials |
|-----|-----------------|------------------------------|
| 1 | Body | Brass - CW617N |
| 2 | End Connection | Brass - CW617N |
| 3 | Ball | Chrome Plated Brass - CW614N |
| 4 | Seat (2) | PTFE |
| 5 | Stem | Brass - CW614N |
| 6 | Stem O-ring (2) | Viton® |
| 7 | Handle* | Aluminum |
| 8 | Handle Screw | Steel - Geomet® Plated |

*101-404BRT has brass handle

Dimensions

| Part No. | Size | Dimensions | | | |
|------------------------|----------|------------|------|------|------|
| | | A | B | C | D |
| T-handle | | | | | |
| 101-401 | 1/4" FIP | 1.85 | 1.63 | 2.32 | 0.39 |
| 101-402 | 3/8" FIP | 1.85 | 1.63 | 2.32 | 0.47 |
| 101-403 | 1/2" FIP | 2.40 | 1.63 | 2.32 | 0.47 |
| 101-404 | 3/4" FIP | 2.53 | 1.69 | 2.32 | 0.59 |
| 101-404BRT* | 3/4" FIP | 2.53 | 2.05 | 2.32 | 0.59 |
| Teardrop Handle | | | | | |
| 101-411 | 1/4" FIP | 1.85 | 1.40 | 1.97 | 0.39 |
| 101-412 | 3/8" FIP | 1.85 | 1.40 | 1.97 | 0.47 |
| 101-413 | 1/2" FIP | 2.40 | 1.40 | 1.97 | 0.47 |
| 101-414 | 3/4" FIP | 2.53 | 1.46 | 1.97 | 0.59 |

*BRT=Brass T-handle

Features

- Valve can be locked in the closed position by reversing the handle
- 2 Viton® o-rings
- 100% leak tested
- 100% Made in Italy
- Leakproof stem - Lifetime Warranty
- For sizes above 3/4" use Model T-100C

Approvals

- UL Listed
 - YQNZ - Compressed gas shut-off valves
 - YRPV - Gas shut-off valves
 - YSDT - LP gas shut-off valves
 - MHKZ - Manual valves
 - YRBX - Flammable liquid shut-off valves
 - SFJQ - Valves, refrigerant
- CSA Certified
 - ANSI Z21.15 (.5 PSIG)
 - ASME B16.44 (5 PSIG)
 - CGA CR91 (5 PSIG)
- ANSI B1.20.1
- MSS SP-110

Valve Seat Rating

600 WOG

