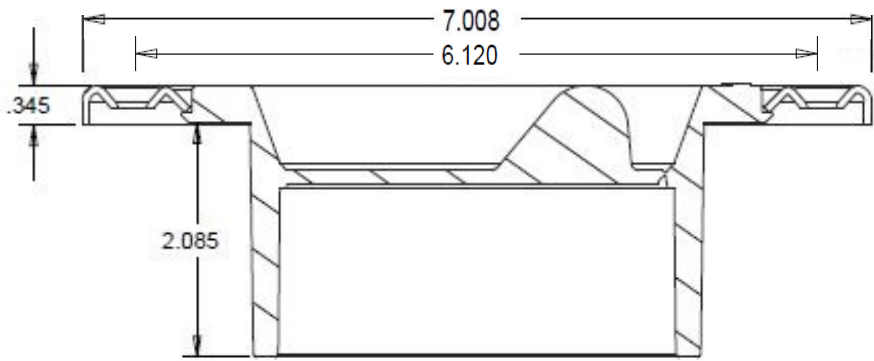
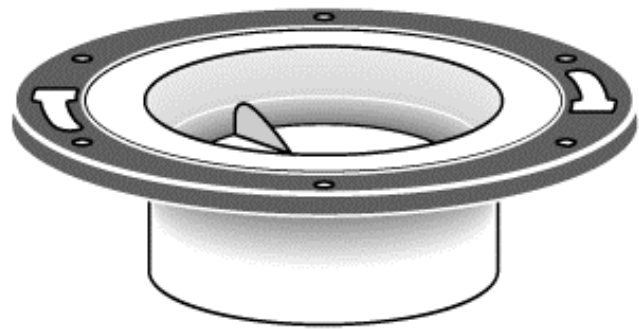




# Flush-Tite Closet Flanges w/Metal Adjustable Ring and Knockout

## SPECIFICATION:

Furnish and install Water-Tite Flush-Tite Closet Flange with knockout as checked below, manufactured by IPS® Corporation. Flange connection fits over 3" or inside 4" Sch. 40 DWV Pipe. Metal adjustable ring allows easy alignment of bolts and screws. Available in PVC or ABS. Powder Coated ring.



Product Code #	Product Description	Model Number	Units/Case
86165	With Knockout for 3" or 4" PVC Pipe	4830A	40
86170	With Knockout for 3" or 4" ABS Pipe	5830A	40

