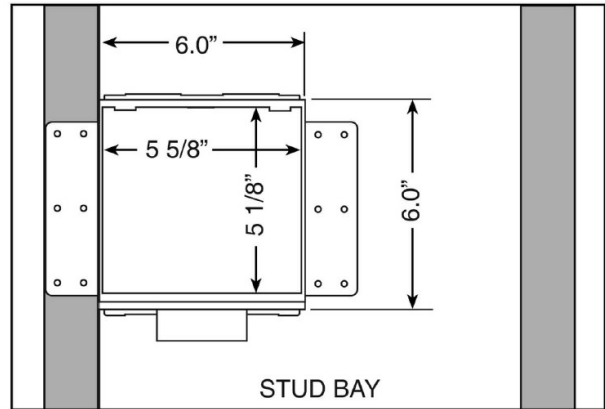
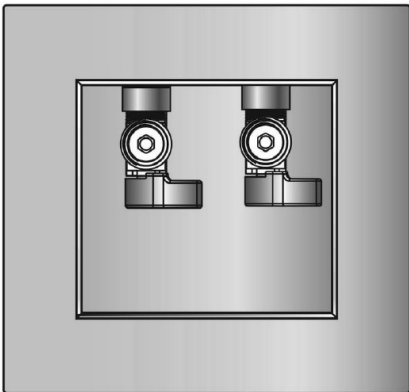


# SPECIFICATION SUBMITTAL SHEET



## "FR-12" WMOB with Quarter Turn Valve



**Specifications:**

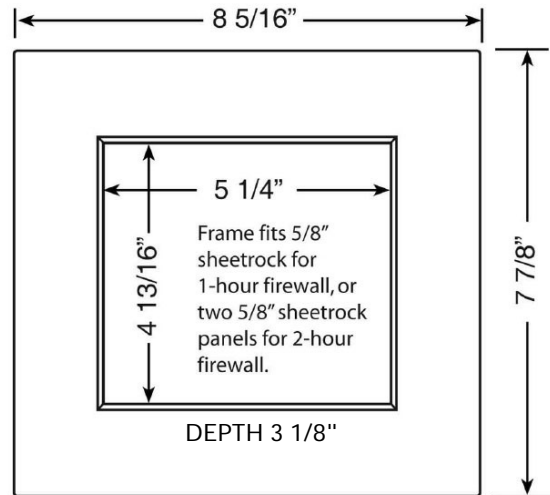
Furnish and install fire rated recessed washing machine outlet box. Wunit shall have brass quarter-turn ball valves. Unit shall be Guy Gray product code checked below as manufactured by IPS Corporation.

**Box Material:**

PVC Resin & Intumescent Pad attached

**Valve & Drain Options:**

Qtr. Turn Valve with 1/2" MIP/Sweat, CPVC, PEX or Wirsbo connection furnished. Valves comply with ASME A112.18.1.



Item #	Product Description	Model #	Quantity
82355	Qtr Turn Valve, 1/2" Sweat Connection	FR12S	5
82356	Qtr Turn Valve, 1/2" Sweat Connection, Contractor Pack	FR12SCP	10
82357	Qtr Turn Valve, 1/2" CPVC Connection	FR12C	5
82358	Qtr Turn Valve, 1/2" CPVC Connection, Contractor Pack	FR12CCP	10
82359	Qtr Turn Valve, 1/2" Pex Connection	FR12P	5
82360	Qtr Turn Valve, 1/2" Pex Connection, Contractor Pack	FR12PCP	10
82361	Qtr Turn Valve, 1/2" Wirsbo® ProPex® Connection	FR12W	5
82362	Qtr Turn Valve, 1/2" Wirsbo® ProPex® Connection, Contractor Pack	FR12WCP	10

