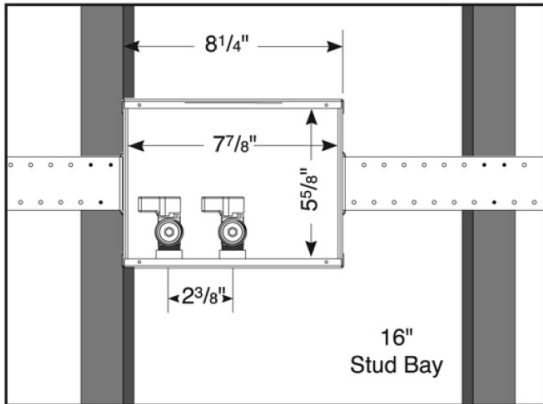


# SPECIFICATION SUBMITTAL SHEET

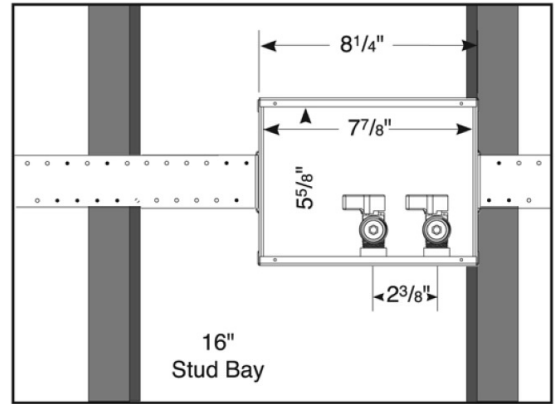


## REVERSIBLE DRAIN WHITE POWDER COATED WMOB with Quarter Turn Valves

Left hand Drain Option



Right hand Drain Option



**Specifications:**

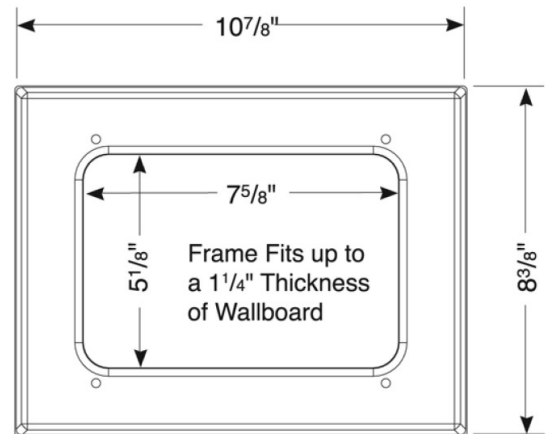
Furnish and install reversible drain white powder coated econo metal washing machine outlet box with quarter turn valves. Unit shall be Guy Gray product code checked below as manufactured by IPS Corporation.

**Box Material:**

White Powder Coat on Cold Rolled Steel Finish  
20 gauge box with 20 gauge faceplate

**Valve & Drain Options:**

Qtr. Turn Valve with MIP/Sweat, CPVC, PEX or Wirsbo connection. 2" Slipnut, PVC or ABS drain. Valves comply with ASME A112.18.1.



Item #	Product Description	Model #	Quantity
82112	Reversible Qtr Turn Valves* - 1/2" Sweat Conx., Unassembled	MWB-3	5
82113	Reversible Qtr Turn Valves* - 1/2" Sweat Conx. - Cont. Pack, Unassembled	MWB-4	5
82114	Reversible Qtr Turn Valves* - 1/2" CPVC Conx., Unassembled	MWB-5	5
82115	Reversible Qtr Turn Valves* - 1/2" CPVC Conx. - Cont. Pack, Unassembled	MWB-6	5
82148	Reversible Qtr Turn Hammer Arrester Valves - 1/2" Sweat Conx., Unassembled	MWB-16	5
82152	Reversible Qtr Turn Valves - 1/2" Sweat Conx./PVC Drain Conx., Unassembled	MWB-17	5
82153	Reversible Qtr Turn Valves - 1/2" Sweat Conx./ABS Drain Conx., Unassembled	MWB-18	5
82165	1/2" Qtr Turn PEX Valve - 2" ABS Drain Conx., Unassembled	MWB25	5
82184	1/2" Qtr Turn Wirsbo® Valves - 2" Slipnut Drain Kit, Unassembled	MWB23	5
82314	Box w/o valves, Unassembled	MWBRLV	5

